



LOAD CELLS / FORCE TRANSDUCERS AND ACCESSORIES

No. 11, 2005

www.zemic.com.cn



ZHONGHANG ELECTRONIC MEASURING INSTRUMENTS CO., LTD



Introduction

Zhonghang Electronic Measuring Instruments Co., Ltd (ZEMIC) established in 1965, is a diversified company with cutting edge technology. We produce not only electronic measuring products, such as strain gages, load cells, weigh pads for highway, weighing system for Aero industry and automobile test facilities; but also the synthetic corundum crystal and articles. Insisting on our motto “Measuring Excellence Worldwide” and “To Be Better” through continuously exploring new technology, relying on its extraordinary scientific research capability, excellent quality assurance system and advanced test equipments, ZEMIC has prospered and become one of the world's major suppliers in measuring industry.

ZEMIC, as our goal in pursuing the superior quality products, persisting in international standards and ISO 9001 quality assurance system, our strain gages and load cells (under the name brand “BB”) has either been awarded the RoHS approval or in the process of being approved. More than 20 load cells model families have obtained or are obtaining OIML certificates issued by PTB in Germany and NTEP certificates by NCWM in USA; and three series of 29 model families have passed type approval in Russia.

ZEMIC has the most advanced equipments to produce strain gages and load cells. As our expansion, the second plant, with 63,000 square meters, will be complete by end of 2005. It has capacity to produce 30 million strain gages, more than one million transducers for industrial and commercial applications and over five millions miniature sensors annually. With this kind of capability, ZEMIC is “The biggest strain gages and load cells producer in China” .



ZEMIC is able to provide the high quality products and superior customer service through our sales network throughout the world. It has become the biggest weighing apparatus components manufacturer in China, and one of the biggest strain gages and load cells suppliers in the world.

ZEMIC will be pursuing science innovation and technology development, offering the strongest support and superior service for China and world's weighing apparatus and measuring industry, to press on the electronic measuring technology developing forward and fulfill the ideology of “Measuring Excellence Worldwide” .



Quality Policy

Customer First

Developing and Improving Continuously

Offering high quality products and service

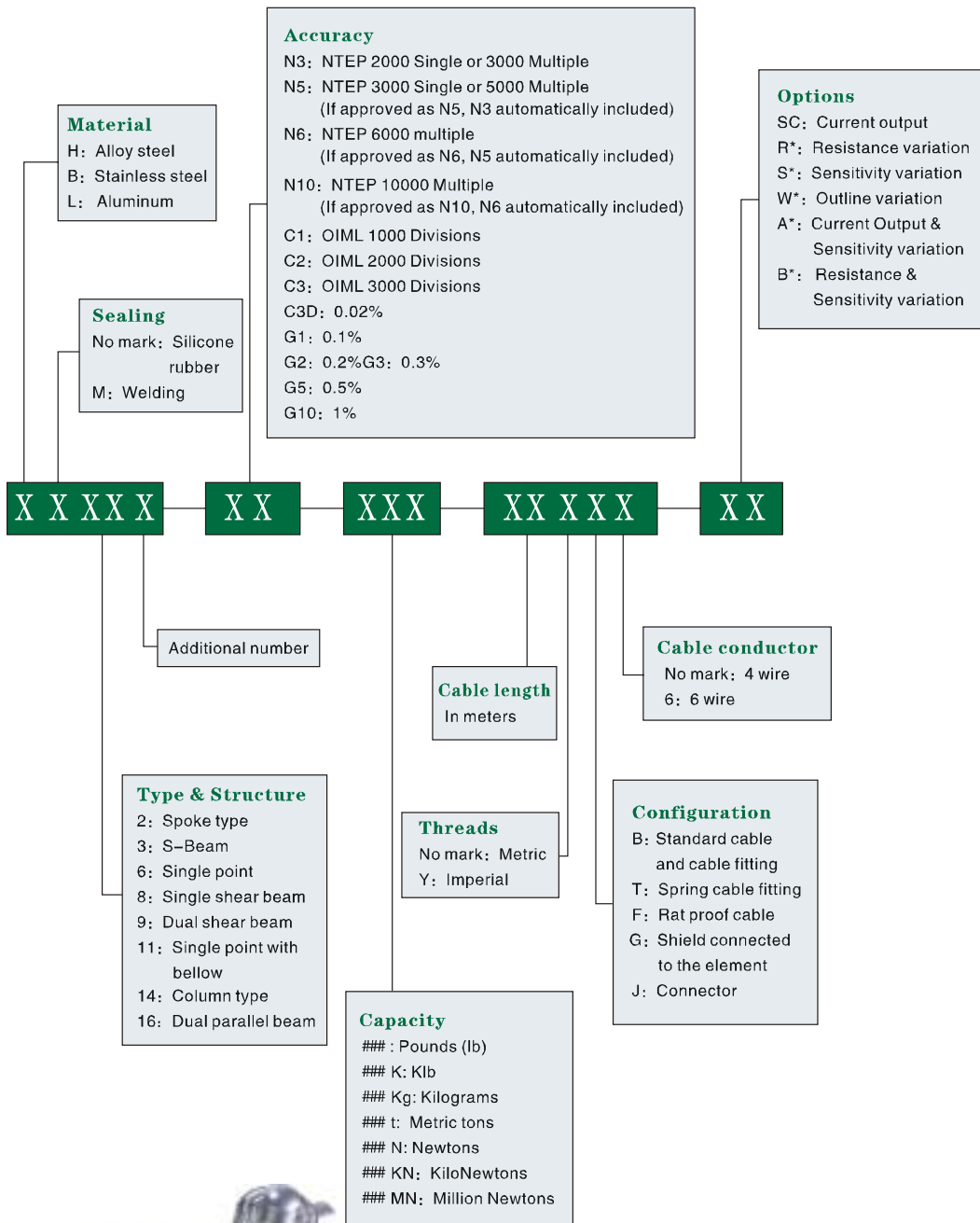


RoHS

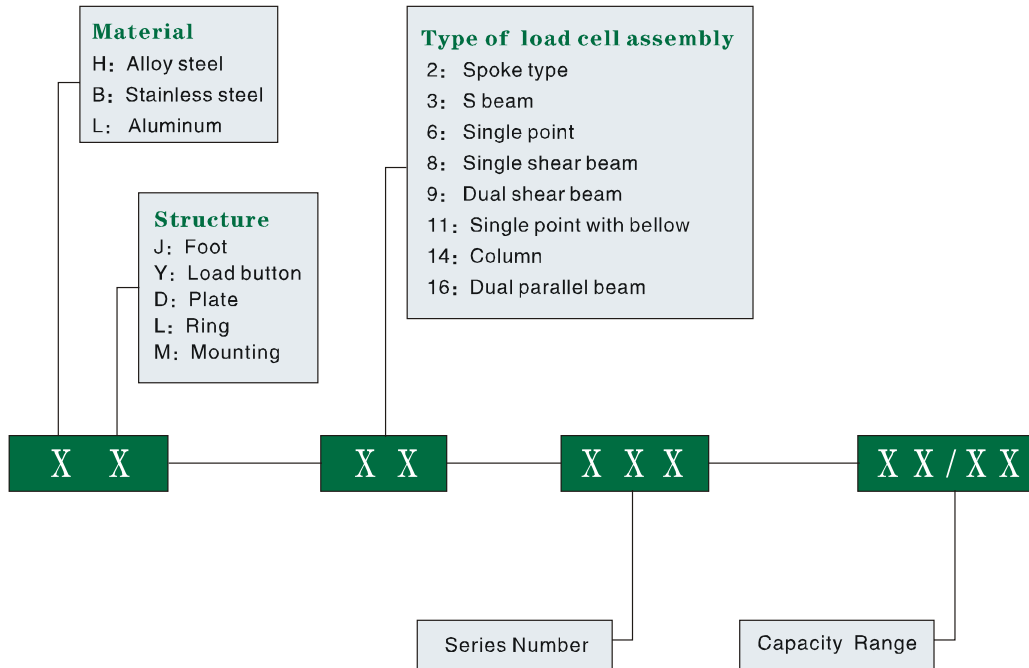
MC



Naming System of Load Cell / Force Transducers



Naming System of Weighing Assembly



Load Cell Protection Class

Reference to National Standard of the Cover Protection Class System (P. R. C)
Equal to IEC529 Standard (International Electrician Association)

Class	Protection Degree		Experimental Method	ZEMIC Attainable Protection Class
	Description	Meanings		
5	Water-sprinkle proof	Not be affected by the water-sprinkle from any directions in a short time		Adhesive sealed, common load cells could achieve
6	Water-sprayed protection	Not be affected by the strong water-spray from any directions in a short time		Cover sealed, inner adhesive protected load cells could achieve
7	Soggy Proof	Not be affected by inundating into the water in a stated pressure and time		Cover (or bellowed) welded, inner adhesive protected load cells or multi-layers adhesive load cells could achieve. Besides of oil-proof, waterproof, it also can proof the common corrosive gas and medium.
8	Diving Proof	Can be dived into the water for a long time	Decided individually	Special required load cells could be customized.

Dust-proof (dust could not be introduced to the inner part.)

International protection

Product Guide by Application

1. Balances

Model: L6B, L6J, L6J1, L6L, L6N

2. Pricing scales, weighing-only scales, counting scales

Model: L6C, L6D, L6E, L6E3, L6L, L6J, L6J1, L6H5, L6N, L6S, L6Q, L6W, BM6A

3. Platform scales

Model: L6E, L6E3, L6H5, L6G, L6F, L6L, L6N, L6S, L6T, L6W, B6E, B6F, B6G, B6N, B6Q, BM6G, H6B, H6E, H6F, H6G, B9K, B9J, B8K, H8K

4. Weighbridges

Model: H8, HM8, H8C, HM8C, B8D, B6E, B6F, B6G, BM8D, B6N, B6Q, BM6G, H6E, H6F, H6G

5. Truck scales

Model: H8, HM8, H9B, HM9B, HM14C, B9C, H9C, B9D, H9D, HM9E, BM14C, B9E, B9F, B9H, BM14A, H9H, B9H, H9N, B9N, B9K, B8K, H8K

6. Track scales

Model: H8, HM8, H9B, HM9B, HM14C, B9C, H9C, B9D, H9D, HM9E, BM14C, B9E, B9F, B9H, BM14A, H9H, B9H, H9N, B9N

7. Crane scales, hopper scales, mechanic & electronic scales

Model: H3, H3C, H3E, H3F, H3G, B3G, H3J, B9N, H9N, BM8H, BM8D, B8D, B9E, HM9E, B9F, B9H, H9H, B6E, B6F, B6G, BM3, BM6G, B6Q, B6N, B9J

8. Belt scales, hybrid scales

Model: L6D, L6E, L6N, HM11, BM11, H6B, H6F, H6G5, B6N, B6Q, BM6G, B6G, H6G, H6F, B6F, BM6A

9. Tension and compression force test

Model: L3V, H3, H3C, H3E, H3F, H3G, B3G, BM3, BM14D

10. Automobile test facilities

Model: H8C, HM8C, B8D, BM8D, H9C, H9D, H9E, L16A, H6K, B9J, B9C, B9D, HM9E, B9E

11. Experimental equipments

Model: H2D, H2F, H3, H3F, H3G, B3G, BM3, BM14A

12. Stake ground test

Model: H2A

13. Standard tester

Model: BM14A

Table of Contents

Model	Capacity	Material	Accuracy	Protection Class	Page
Single point					
L6B	0.3kg ~ 3kg	Aluminum	C3D	IP65	1
L6C	3kg ~ 50kg	Aluminum	C3D	IP65	2
L6D	2.5kg ~ 50kg	Aluminum	C3	IP65	3
L6E	50kg ~ 300kg	Aluminum	C3	IP65	4
L6E3	50kg ~ 300kg	Aluminum	C3	IP65	5
L6G	50kg ~ 600kg	Aluminum	C3	IP65	6
L6F	50kg ~ 2000kg	Aluminum	C3	IP65	7
L6H5	4kg ~ 20kg	Aluminum	C3D	IP65	8
L6J	1kg ~ 20kg	Aluminum	C3D	IP65	9
L6J1	0.3kg ~ 3kg	Aluminum	C3D	IP65	10
L6L	5kg ~ 200kg	Aluminum	C3D	IP65	11
L6N	3kg ~ 100kg	Aluminum	C3	IP65	12
L6Q	50kg ~ 250kg	Aluminum	C3D	IP65	13
L6S	3kg ~ 35kg	Aluminum	C3D	IP65	14
L6T	50kg ~ 1000kg	Aluminum	C3	IP65	15
L6W	50kg ~ 635kg	Aluminum	C3	IP65	16
H6B	100kg ~ 1.5t	Alloy Steel	C3	IP67	17
B6E	100kg ~ 300kg	Stainless Steel	C3	IP65	18
H6E	100kg ~ 300kg	Alloy Steel	C3	IP65	19
B6F	100kg ~ 2000kg	Stainless Steel	C3	IP65	20
H6F	100kg ~ 2000kg	Alloy Steel	C3	IP65	21
B6G	100kg ~ 2000kg	Stainless Steel	C3	IP65	22
H6G	100kg ~ 2000kg	Alloy Steel	C3	IP65	23
H6G5	50kg ~ 2t	Alloy Steel	C3	IP67	24
H6K	1KN	Alloy Steel	C1	IP67	25
B6N	15kg ~ 150kg	Stainless Steel	C3	IP67	26
B6Q	200kg ~ 250kg	Stainless Steel	C3	IP67	27
BM6G	200kg ~ 500kg	Stainless Steel	C3	IP68	28
BM6A	6kg ~ 60kg	Stainless Steel	C3	IP68	29
Single point with bellow					
BM11	20kg ~ 500kg	Stainless Steel	C3	IP67	30
HM11	20kg ~ 500kg	Alloy Steel	C3	IP67	31
Spoke type					
H2A	1MN ~ 5MN	Alloy Steel	G2/G3/G5/G10	IP67	32
H2D	5t ~ 20t	Alloy Steel	C2	IP67	33
H2F	1t ~ 50t	Alloy Steel	C1/C2	IP67	34
Dual parallel beam					
L16	500kg	Aluminum	C3D	IP65	35

Model	Capacity	Material	Accuracy	Protection Class	Page
L16A	100kg	Aluminum	G1	IP65	36
S-type					
B3G	100lb ~ 10K lb	Stainless Steel	N10	IP67	37
B3G	50lb,75lb,15Klb,20Klb	Stainless Steel	N3	IP67	37
B3G	50kg ~ 10t	Stainless Steel	C3	IP67	37
H3	100lb ~ 20K lb	Alloy Steel	C3	IP67	38
H3	25kg ~ 30t	Alloy Steel	C3	IP67	38
H3C	10t,20t	Alloy Steel	C3	IP67	39
H3E	1t ~ 15t	Alloy Steel	C3	IP67	40
H3F	250lb ~ 20K lb	Alloy Steel	N5	IP67	41
H3F	100kg ~ 5t	Alloy Steel	C3	IP67	41
H3G	100lb ~ 10K lb	Alloy Steel	N10	IP67	42
H3G	50lb,75lb,15Klb,20Klb	Alloy Steel	N5	IP67	42
H3G	50kg ~ 7.5t	Alloy Steel	C3	IP67	42
BM3	0.5t ~ 6t	Stainless Steel	C3	IP68	43
L3V	200kg ~ 500kg	Aluminum	C2	IP65	44
Single shear beam					
B8D	250lb ~ 20K lb	Stainless Steel	N5	IP67	45
B8D	500kg ~ 5t	Stainless Steel	C3	IP67	45
BM8D	1Klb ~ 20Klb	Stainless Steel	N5	IP68	46
BM8D	500kg ~ 10t	Stainless Steel	C3	IP68	46
BM8H	1Klb ~ 10Klb	Stainless Steel	N5	IP68	47
BM8H	500kg ~ 5t	Stainless Steel	C3	IP68	47
H8	0.5t ~ 50t	Alloy Steel	C3	IP67	48
HM8	0.5t ~ 50t	Alloy Steel	C3	IP68	49
H8B	0.5t ~ 10t	Alloy Steel	C3	IP67	50
H8C	1K ~ 20K lb	Alloy Steel	N5	IP67	51
H8C	500kg ~ 10t	Alloy Steel	C3	IP67	51
HM8C	500kg ~ 10t	Alloy Steel	C3	IP68	52
H8H	250kg ~ 5t	Alloy Steel	C3	IP67	53
B8K	1Klb ~ 20Klb	Stainless Steel	N5	IP67	54
H8K	1Klb ~ 10Klb	Alloy Steel	N5	IP67	55
Dual shear beam					
B9B1	2t	Stainless Steel	C3	IP67	56
H9B	10t ~ 50t	Alloy Steel	C3	IP67	57
HM9B	10t ~ 50t	Alloy Steel	C3	IP68	58
B9C	5Klb,150K~250Klb	Stainless Steel	N3	IP67	59
B9C	10K ~ 100K lb	Stainless Steel	N10	IP67	59
H9C	5K ~ 250K lb	Alloy Steel	N10	IP67	60
H9C	5Klb,10Klb,200Klb,250K lb	Alloy Steel	N3	IP67	60
B9D	1K ~ 75K lb	Stainless Steel	N3	IP67	61
H9D	1K ~ 75K lb	Alloy Steel	N3	IP67	62

Model	Capacity	Material	Accuracy	Protection Class	Page
B9E	50K ~ 150K lb	Stainless Steel	N10	IP67	63
HM9E	50K ~ 200K lb	Alloy Steel	N10	IP68	64
B9F	10K ~ 75K lb	Stainless Steel	N10	IP67	65
H9H	50K ~ 100K lb	Alloy Steel	N10	IP67	66
B9H	50K ~ 100K lb	Stainless Steel	N10	IP67	67
B9K	10K ~ 75K lb	Stainless Steel	N10	IP67	68
B9J	25K ~ 100K lb	Stainless Steel	N10	IP67	69
B9N	25K ~ 125K lb	Stainless Steel	N10	IP67	70
H9N	25K ~ 200K lb	Alloy Steel	N10	IP67	71

Column type

BM14A	10t ~ 100t	Stainless Steel	C3	IP68	72
BM14A	25Klb ~ 200Klb	Stainless Steel	N10	IP68	72
BM14C	10t ~ 50t	Stainless Steel	C3	IP68	73
HM14C	10t ~ 50t	Alloy Steel	C3	IP68	74
BM14D	10t ~ 100t	Stainless Steel	C2	IP67	75
BM14G	10t ~ 50t	Stainless Steel	C3	IP68	76
BM14K	10t ~ 100t	Stainless Steel	C3	IP68	77

Model	Capacity	Material	Page
-------	----------	----------	------

Weighing Assembly

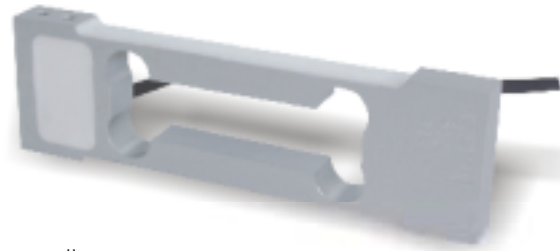
HM-2-401	H2F-1t ~ 50t	Alloy Steel	78
HL-3-001	H3-25kg ~ 300kg	Alloy Steel	79
HL-3-002	H3-500kg ~ 1.5t	Alloy Steel	79
HL-3-003	H3-25kg ~ 5t	Alloy Steel	79
HL-3-004	H3-25kg ~ 5t	Alloy Steel	80
HJ-8-201	H8C-0.5t ~ 5t	Alloy Steel	81
HJ-8-201	H8C-1Klb ~ 10Klb	Alloy Steel	81
BJ-8-202	B8D-0.5t ~ 5t	Stainless Steel	81
BJ-8-202	B8D-250lb ~ 10Klb	Stainless Steel	81
HJ-8-203	H8C-0.5t ~ 2t	Alloy Steel	82
BJ-8-205	B8D-0.5t ~ 2t	Stainless Steel	82
BJ-8-205	B8D-250lb ~ 4Klb	Stainless Steel	82
BJ-8-206	BM8H-250kg ~ 2t	Stainless Steel	83
BJ-8-206	BM8H-500lb ~ 4Klb	Stainless Steel	83
BJ-8-207	BM8H-250kg ~ 5t	Stainless Steel	83
BJ-8-207	BM8H-500lb ~ 10Klb	Stainless Steel	83
HJ-8-208	H8C-0.5t ~ 5t	Alloy Steel	84
HJ-8-208	H8C-1Klb ~ 10Klb	Alloy Steel	84
HY-8-101	H8-0.5t ~ 50t	Alloy Steel	84
HY-8-102	H8C-0.5t ~ 5t	Alloy Steel	85
BY-8-104	B8D-0.5t ~ 5t	Alloy Steel	85
HD-8-301	H8C-0.5t ~ 5t	Alloy Steel	86
HD-8-301	H8C-1Klb ~ 10Klb	Alloy Steel	86

Model	Capacity	Material	Page
HM-8-401	H8-0.5t ~ 20t	Alloy Steel	87
HM-8-402	H8C-0.5t ~ 5t	Alloy Steel	88
HM-8-402	H8C-1Klb ~ 10Klb	Alloy Steel	88
BM-8-404	B8D-0.5t ~ 5t	Stainless Steel	89
BM-8-406	BM8H-250kg ~ 5t	Stainless Steel	90
BM-8-406	BM8H-500lb ~ 10Klb	Stainless Steel	90
HM-9-401	H9C-5Klb ~ 250Klb	Alloy Steel	91
BM-9-402	B9C-5Klb ~ 250Klb	Stainless Steel	92
HM-9-403	H9D-1Klb ~ 75Klb	Alloy Steel	93
BM-9-404	B9D-1Klb ~ 75Klb	Stainless Steel	94
HM-14-401	HM14C-10t ~ 50t	Alloy Steel	95
HM-14-403	HM14C-10t ~ 50t	Alloy Steel	96
BY-14-101	BM14A-10t ~ 60t	Stainless Steel	96
BY-14-102	BM14K-10t ~ 100t	Stainless Steel	97
BY-14-103	BM14C-10t ~ 50t	Stainless Steel	97
HY-14-104	HM14C-10t ~ 50t	Alloy Steel	98
BY-14-105	BM14G-10t ~ 50t	Stainless Steel	98

Model	Description	Page
Junction-box		
JB01	2~8 Channel, cast Aluminum	99
JB02	2~4 Channel, cast Aluminum	100
JB06	2~8 Channel, cast Aluminum	101
JB07	2~4 Channel, cast Aluminum	102
Transmitter		
FD-3	Current/Voltage output	103
FD-4	Current/Voltage output	104
FD-5	Current/Voltage output	105
FD-6	Current output	106



Capacity	Accuracy	Part number
0.3kg	C3D	L6B-C3D-0.3kg-0.45B
0.6kg	C3D	L6B-C3D-0.6kg-0.45B
1.2kg	C3D	L6B-C3D-1.2kg-0.45B
3kg	C3D	L6B-C3D-3kg-0.45B



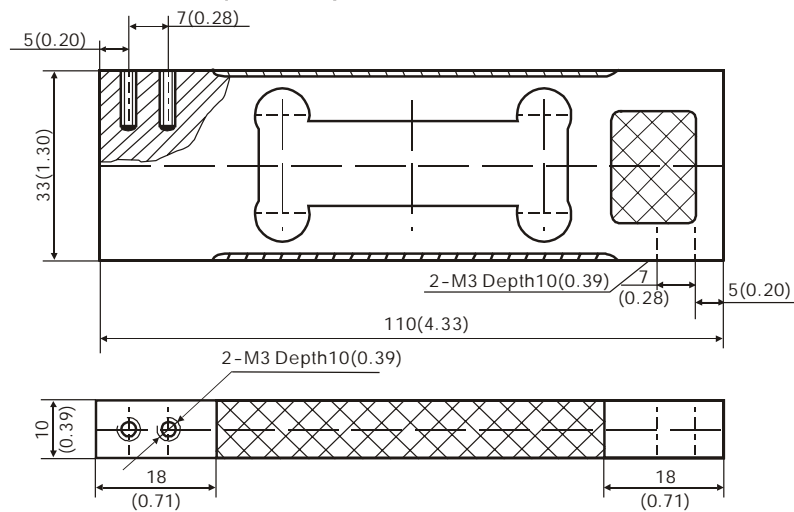
Aluminum-alloy.
 Adhesive sealed.
 Suitable for balances.
 Recommended platform size: 200x200mm

Specifications

Accuracy Class	C3D	Temperature effect on span (%FS/10 °)	0.03
Rated output (mV/V)	0.9 ± 0.1	Temperature effect on zero (%FS/10 °)	0.03
Combined error (%FS)	0.02	Temperature, compensated (°)	-10~+40
Non-linearity (%FS)	0.02	Temperature, Operating (°)	-35~+65
Non-repeatability (%FS)	0.01	Excitation, Recommended (V)	5~12(DC)
Creep (%FS/30min)	0.02	Excitation, Max. (V)	18(DC)
Input Resistance (Ω)	394 ± 6	Safe Overload (%FS)	150
Output Resistance (Ω)	350 ± 3	Ultimate Overload (%FS)	300
Insulation Resistance (M Ω)	5000(50VDC)	Protection Class	IP 65
Zero Balance (%FS)	4.0	Cable Length (m)	0.45
Off center load error (% , per OIML R76)	0.02	Cable spec	4-wire shielded cable 3.0mm

Connections Red Input(+) Black Input(-) Green Output(+) White Output(-) Transparence (shield)

Outline Dimensions in mm(inches)





Aluminum-alloy.
Colorless anodized.
Suitable for single & double load cells structured platform scales.
Recommended platform size: 600x600mm

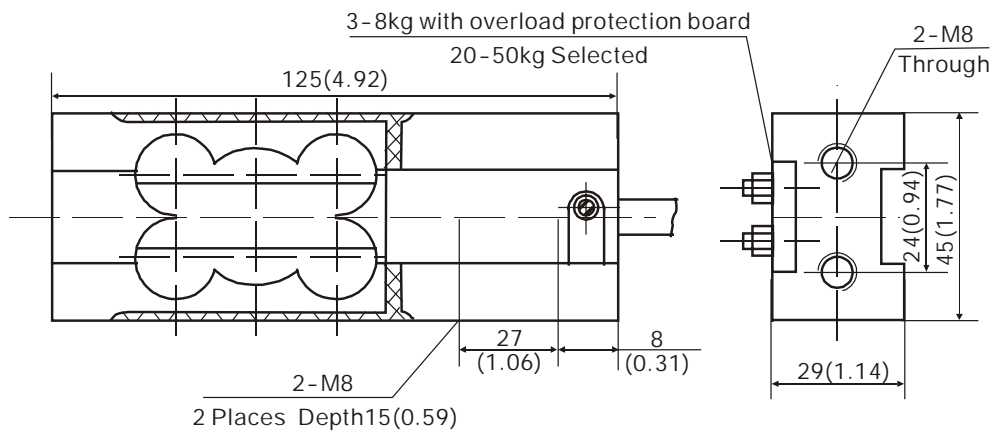
Capacity	Accuracy	Part number
3kg	C3D	L6C-C3D-3kg-0.35P5
5kg	C3D	L6C-C3D-5kg-0.35P5
8kg	C3D	L6C-C3D-8kg-0.35P5
20kg	C3D	L6C-C3D-20kg-0.35P5
30kg	C3D	L6C-C3D-30kg-0.35P5
50kg	C3D	L6C-C3D-50kg-0.35P5

Specifications

Accuracy Class	C3D	Temperature effect on span (%FS/10)	0.017
Rated output (mV/V)	1.9±0.2	Temperature effect on zero (%FS/10)	0.02
Combined error (%FS)	0.02	Temperature, compensated ()	-10~+40
Non-linearity (%FS)	0.02	Temperature, Operating ()	-35~+65
Non-repeatability (%FS)	0.01	Excitation, Recommended (V)	5~12(DC)
Creep (%FS/30min)	0.02	Excitation, Max. (V)	18(DC)
Input Resistance ()	409±6	Safe Overload (%FS)	150
Output Resistance ()	350±3	Ultimate Overload (%FS)	300
Insulation Resistance (M)	5000(50VDC)	Protection Class	IP 65
Zero Balance (%FS)	2.0	Cable Length (m)	0.35
Off center load error (% , per OIML R76)	0.02	Cable spec	5-wire parallel cable

Connections Input (+) Input (-) Output (+) Output (-) Connected Withelement

Outline Dimensions in mm(inches)



Capacity Accuracy Part number Resistance

2.5kg	C3	L6D-C3-2.5kg-0.4B	350
3kg	C3	L6D-C3-3kg-0.4B	350
5kg	C3	L6D-C3-5kg-0.4B	350
6kg	C3	L6D-C3-6kg-0.4B	350
8kg	C3	L6D-C3-8kg-0.4B	350
10kg	C3	L6D-C3-10kg-0.4B	350
15kg	C3	L6D-C3-15kg-0.4B	350
20kg	C3	L6D-C3-20kg-0.4B	350
30kg	C3	L6D-C3-30kg-0.4B	350
35kg	C3	L6D-C3-35kg-0.4B	350
40kg	C3	L6D-C3-40kg-0.4B	350
50kg	C3	L6D-C3-50kg-0.4B	350
2.5kg	C3	L6D-C3-2.5kg-0.4B-R1	1000
3kg	C3	L6D-C3-3kg-0.4B-R1	1000
5kg	C3	L6D-C3-5kg-0.4B-R1	1000
6kg	C3	L6D-C3-6kg-0.4B-R1	1000
8kg	C3	L6D-C3-8kg-0.4B-R1	1000
10kg	C3	L6D-C3-10kg-0.4B-R1	1000
15kg	C3	L6D-C3-15kg-0.4B-R1	1000
20kg	C3	L6D-C3-20kg-0.4B-R1	1000
30kg	C3	L6D-C3-30kg-0.4B-R1	1000
35kg	C3	L6D-C3-35kg-0.4B-R1	1000
40kg	C3	L6D-C3-40kg-0.4B-R1	1000
50kg	C3	L6D-C3-50kg-0.4B-R1	1000

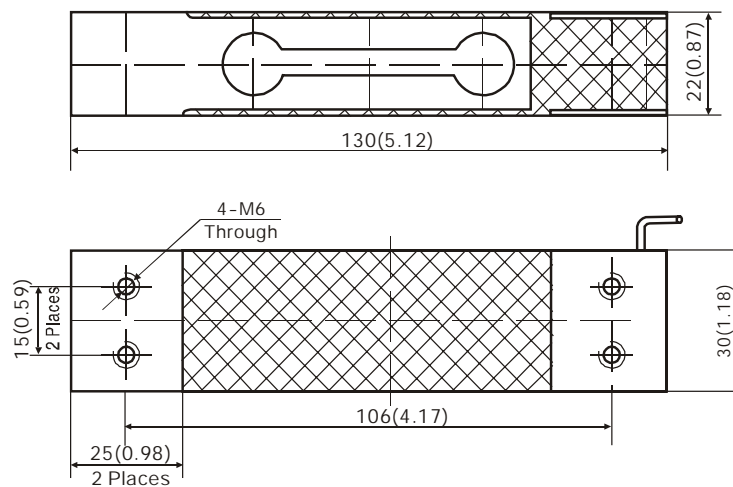


Specifications

Accuracy Class	OIML R60 C3	Temperature effect on span (%FS/10 °)	0.014
Rated output (mV/V)	2.0±0.2	Temperature effect on zero (%FS/10 °)	0.017
Combined error (%FS)	0.02	Temperature, compensated (°)	-10~+40
Non-linearity (%FS)	0.017	Temperature, Operating (°)	-35~+65
Non-repeatability (%FS)	0.01	Excitation, Recommended (V)	5~12(DC)
Creep (%FS/30min)	0.015	Excitation, Max. (V)	18(DC)
Input Resistance (Ω)	409±6 or 1065±15	Safe Overload (%FS)	150
Output Resistance (Ω)	350±3 or 1000±5	Ultimate Overload (%FS)	300
Insulation Resistance (M Ω)	5000(50VDC)	Protection Class	IP 65
Zero Balance (%FS)	2.0	Cable Length (m)	0.4
Off center load error (% , per OIML R76)	0.017	Cable spec	4-wire shielded cable 3.8mm

Connections Red Input(+) Black Input(-) Green Output(+) White Output(-) Transparence (shield)

Outline Dimensions in mm(inches)





Aluminum-alloy.
Colorless anodized, adhesive sealed.
Suitable for pricing scales, bench scales, etc.
Recommended platform size: 400x400mm

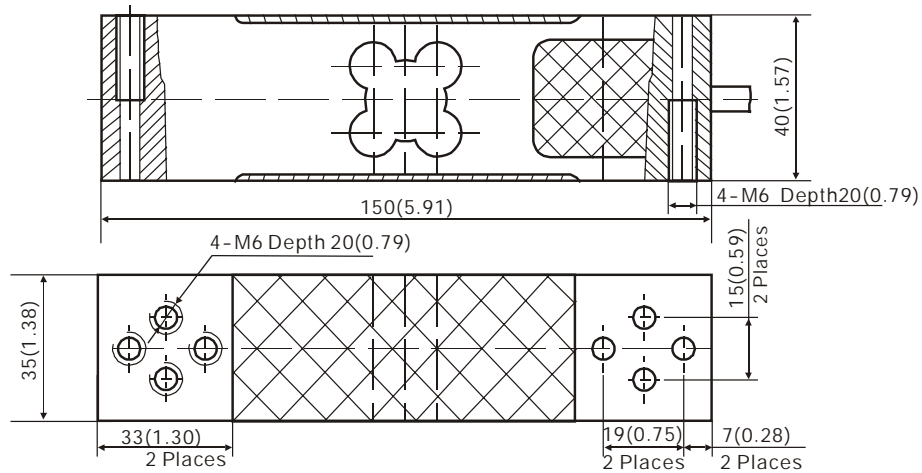
Capacity	Accuracy	Part number
50kg	C3	L6E-C3-50kg-2B
60kg	C3	L6E-C3-60kg-2B
80kg	C3	L6E-C3-80kg-2B
100kg	C3	L6E-C3-100kg-2B
150kg	C3	L6E-C3-150kg-2B
200kg	C3	L6E-C3-200kg-2B
300kg	C3	L6E-C3-300kg-2B

Specifications

Accuracy Class	OIML R60 C3	Temperature effect on span (%FS/10)	0.014
Rated output (mV/V)	2.0±0.2	Temperature effect on zero (%FS/10)	0.017
Combined error (%FS)	0.02	Temperature, compensated ()	-10~+40
Non-linearity (%FS)	0.017	Temperature, Operating ()	-35~+65
Non-repeatability (%FS)	0.01	Excitation, Recommended (V)	5~12(DC)
Creep (%FS/30min)	0.015	Excitation, Max. (V)	18(DC)
Input Resistance ()	406±6	Safe Overload (%FS)	150
Output Resistance ()	350±3	Ultimate Overload (%FS)	300
Insulation Resistance (M)	5000(50VDC)	Protection Class	IP 65
Zero Balance (%FS)	2.0	Cable Length (m)	2
Off center load error (% , per OIML R76)	0.02	Cable spec	4-wire shielded cable 5mm

Connections Red Input(+) Black Input(-) Green Output(+) White Output(-) Transparence (shield)

Outline Dimensions in mm(inches)



Capacity	Accuracy	Part number
50kg	C3	L6E3-C3-50kg-3G
100kg	C3	L6E3-C3-100kg-3G
150kg	C3	L6E3-C3-150kg-3G
200kg	C3	L6E3-C3-200kg-3G
250kg	C3	L6E3-C3-250kg-3G
300kg	C3	L6E3-C3-300kg-3G



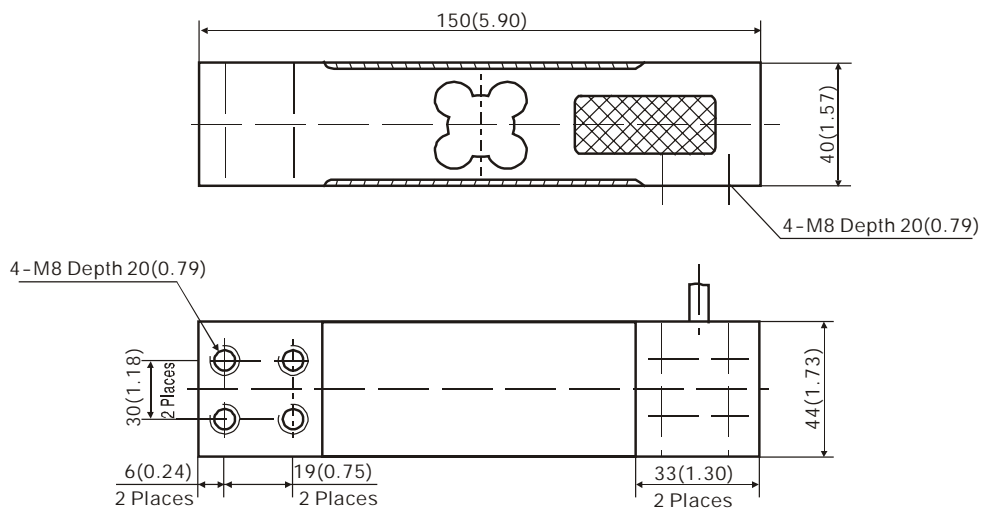
Aluminum-alloy.
Colorless anodized.
Suitable for pricing scales, bench scales, etc.
Recommended platform size: 450x450mm

Specifications

Accuracy Class	OIML R60 C3	Temperature effect on span (%FS/10 °C)	0.014
Rated output (mV/V)	2.0±0.2	Temperature effect on zero (%FS/10 °C)	0.017
Combined error (%FS)	0.02	Temperature, compensated (°C)	-10~+40
Non-linearity (%FS)	0.017	Temperature, Operating (°C)	-35~+65
Non-repeatability (%FS)	0.01	Excitation, Recommended (V)	5~12(DC)
Creep (%FS/30min)	0.02	Excitation, Max. (V)	18(DC)
Input Resistance (Ω)	406±6	Safe Overload (%FS)	150
Output Resistance (Ω)	350±3	Ultimate Overload (%FS)	300
Insulation Resistance (M Ω)	5000(50VDC)	Protection Class	IP 65
Zero Balance (%FS)	2.0	Cable Length (m)	3
Off center load error (% , per OIML R76)	0.02	Cable spec	4-wire shielded cable 5mm

Connections Red Input(+) Black Input(-) Green Output(+) White Output(-) Transparence (shield)

Outline Dimensions in mm(inches)





Aluminum-alloy.
Colorless anodized.
Suitable for single & double load cells structured platform scales.
Recommended platform size: 600x600mm

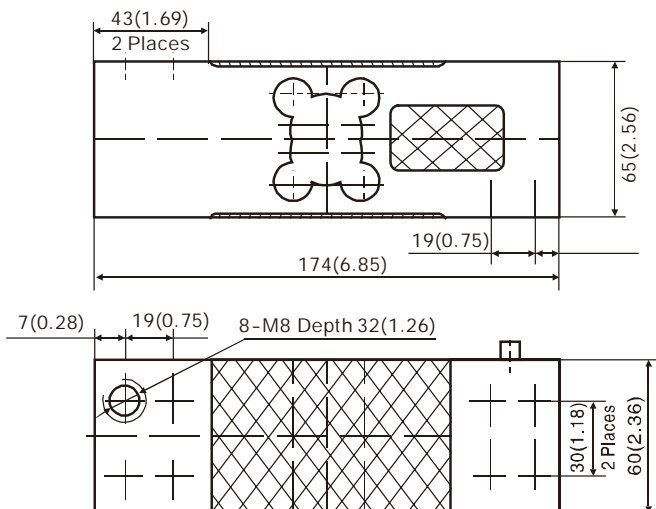
Capacity	Accuracy	Part number	Resistance
50kg	C3	L6G-C3-50kg-3G6	350
100kg	C3	L6G-C3-100kg-3G6	350
150kg	C3	L6G-C3-150kg-3G6	350
200kg	C3	L6G-C3-200kg-3G6	350
250kg	C3	L6G-C3-250kg-3G6	350
300kg	C3	L6G-C3-300kg-3G6	350
500kg	C3	L6G-C3-500kg-3G6	350
600kg	C3	L6G-C3-600kg-3G6	350
50kg	C3	L6G-C3-50kg-3G6-R1	1000
100kg	C3	L6G-C3-100kg-3G6-R1	1000
150kg	C3	L6G-C3-150kg-3G6-R1	1000
200kg	C3	L6G-C3-200kg-3G6-R1	1000
250kg	C3	L6G-C3-250kg-3G6-R1	1000
300kg	C3	L6G-C3-300kg-3G6-R1	1000
500kg	C3	L6G-C3-500kg-3G6-R1	1000
600kg	C3	L6G-C3-600kg-3G6-R1	1000

Specifications

Accuracy Class	OIML R60 C3	Temperature effect on span (%FS/10)	0.014
Rated output (mV/V)	2.0±0.2	Temperature effect on zero (%FS/10)	0.017
Combined error (%FS)	0.02	Temperature, compensated ()	-10~+40
Non-linearity (%FS)	0.017	Temperature, Operating ()	-35~+65
Non-repeatability (%FS)	0.01	Excitation, Recommended (V)	5~12(DC)
Creep (%FS/30min)	0.015	Excitation, Max.(V)	18(DC)
Input Resistance ()	409±6 or 1065±15	Safe Overload (%FS)	150
Output Resistance ()	350±3 or 1000±5	Ultimate Overload (%FS)	300
Insulation Resistance (M)	5000(50VDC)	Protection Class	IP 65
Zero Balance (%FS)	2.0	Cable Length (m)	3
Off center load error (% , per OIML R76)	0.02	Cable spec	6-wire shielded cable 6mm

Connections Red Input(+) Black Input(-) Green Output(+) White Output(-)
Blue Sense(+) Yellow Sense(-) Transparence (shield)

Outline Dimensions in mm(inches)



Capacity	Accuracy	Part number
50kg	C3	L6F-C3-50kg-3B6
100kg	C3	L6F-C3-100kg-3B6
150kg	C3	L6F-C3-150kg-3B6
200kg	C3	L6F-C3-200kg-3B6
250kg	C3	L6F-C3-250kg-3B6
500kg	C3	L6F-C3-500kg-3B6
750kg	C3	L6F-C3-750kg-3B6
1000kg	C3	L6F-C3-1000kg-3B6
2000kg	C3	L6F-C3-2000kg-3B6



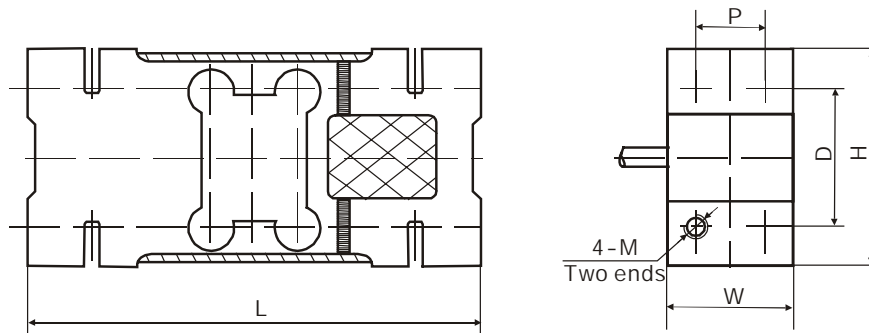
Aluminum-alloy, colorless anodized.
 Suitable for single & double load cells structured platform scales.
 Recommended platform size: 50-200 kg 600x600mm
 250-500 kg 600x800mm
 750-2000 kg 1200x1200mm

Specifications

Accuracy Class	OIML R60 C3	Temperature effect on span (%FS/10 °C)	0.014
Rated output (mV/V)	2.0±0.2	Temperature effect on zero (%FS/10 °C)	0.017
Combined error (%FS)	0.02	Temperature, compensated (°C)	-10~+40
Non-linearity (%FS)	0.017	Temperature, Operating (°C)	-35~+65
Non-repeatability (%FS)	0.01	Excitation, Recommended (V)	5-12(DC)
Creep (%FS/30min)	0.02	Excitation, Max. (V)	18(DC)
Input Resistance (Ω)	409±6	Safe Overload (%FS)	150
Output Resistance (Ω)	350±3	Ultimate Overload (%FS)	300
Insulation Resistance (M Ω)	5000(50VDC)	Protection Class	IP 65
Zero Balance (%FS)	2.0	Cable Length (m)	3
Off center load error (% , per OIML R76)	0.02	Cable spec	6-wire shielded cable 6.2mm

Connections Red Input(+) Yellow Input(-) Blue Output(+) White Output(-)
 Brown Sense(+) Black Sense(-) Transparence (shield)

Outline Dimensions in mm(inches)



Capacity (kg)	Dimensions					
	L	W	H	D	P	M
50-200	156(6.14)	44(1.73)	75(2.95)	50(1.97)	24(0.94)	M12
250-500	146(5.75)	60(2.36)	95(3.74)	70(2.76)	36(1.42)	M12
750-2000	176(6.93)	76(2.99)	125(4.92)	95(3.74)	46(1.81)	M16



Aluminum-alloy.
Adhesive sealed.
Suitable for single load cell structured electronic scales.
Recommended platform size: 200x200mm

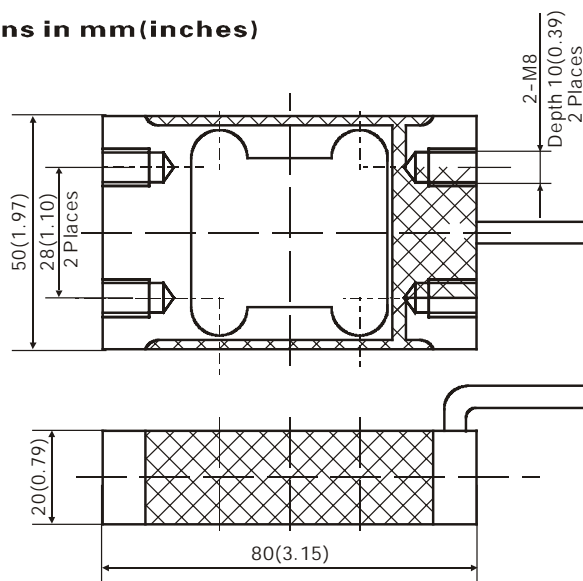
Capacity	Accuracy	Part number
4kg	C3D	L6H5-C3D-4kg-1.75B
5kg	C3D	L6H5-C3D-5kg-1.75B
6kg	C3D	L6H5-C3D-6kg-1.75B
8kg	C3D	L6H5-C3D-8kg-1.75B
10kg	C3D	L6H5-C3D-10kg-1.75B
20kg	C3D	L6H5-C3D-20kg-1.75B

Specifications

Accuracy Class	C3D	Temperature effect on span (%FS/10)	0.017
Rated output(mV/V)	2.0±0.2	Temperature effect on zero (%FS/10)	0.02
Combined error (%FS)	0.02	Temperature, compensated ()	-10~+40
Non-linearity (%FS)	0.02	Temperature, Operating ()	-35~+65
Non-repeatability (%FS)	0.01	Excitation, Recommended (V)	5~12(DC)
Creep (%FS/30min)	0.02	Excitation, Max.(V)	18(DC)
Input Resistance ()	409±6	Safe Overload (%FS)	150
Output Resistance ()	350±3	Ultimate Overload (%FS)	300
Insulation Resistance (M)	5000(50VDC)	Protection Class	IP 65
Zero Balance (%FS)	2.0	Cable Length (m)	1.75
Off center load error (% , per OIML R76)	0.02	Cable spec	4-wire shielded cable 3.8mm

Connections Red Input(+) Black Input(-) Green Output(+) White Output(-) Transparence (shield)

Outline Dimensions in mm(inches)



Capacity	Accuracy	Part number
1kg	C3D	L6J-C3D-1kg-0.45B
2kg	C3D	L6J-C3D-2kg-0.45B
3kg	C3D	L6J-C3D-3kg-0.45B
5kg	C3D	L6J-C3D-5kg-0.45B
8kg	C3D	L6J-C3D-8kg-0.45B
10kg	C3D	L6J-C3D-10kg-0.45B
15kg	C3D	L6J-C3D-15kg-0.45B
20kg	C3D	L6J-C3D-20kg-0.45B



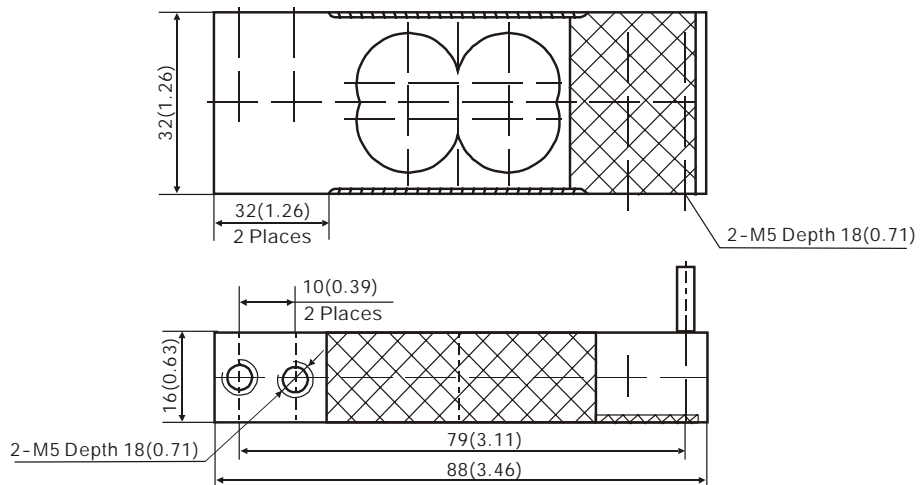
Aluminum, colorless anodized.
 Suitable for counting scales, balances, etc.
 Recommended platform size: 200x200mm

Specifications

Accuracy Class	C3D	Temperature effect on span (%FS/10 °)	0.02
Rated output (mV/V)	1.5 ± 0.2	Temperature effect on zero (%FS/10 °)	0.02
Combined error (%FS)	0.02	Temperature, compensated (°)	-10~+40
Non-linearity (%FS)	0.02	Temperature, Operating (°)	-35~+65
Non-repeatability (%FS)	0.01	Excitation, Recommended (V)	5-12(DC)
Creep (%FS/30min)	0.02	Excitation, Max. (V)	18(DC)
Input Resistance (Ω)	409 ± 6	Safe Overload (%FS)	150
Output Resistance (Ω)	350 ± 3	Ultimate Overload (%FS)	300
Insulation Resistance (M Ω)	5000(50VDC)	Protection Class	IP 65
Zero Balance (%FS)	2.0	Cable Length (m)	0.45
Off center load error (% , per OIML R76)	0.02	Cable spec	4-wire shielded cable 3.0mm

Connections Red Input(+) Black Input(-) Green Output(+) White Output(-) Transparence (shield)

Outline Dimensions in mm(inches)





Aluminum, colorless anodized.
 Suitable for counting scales, balances, etc.
 Recommended platform size: 200x200mm

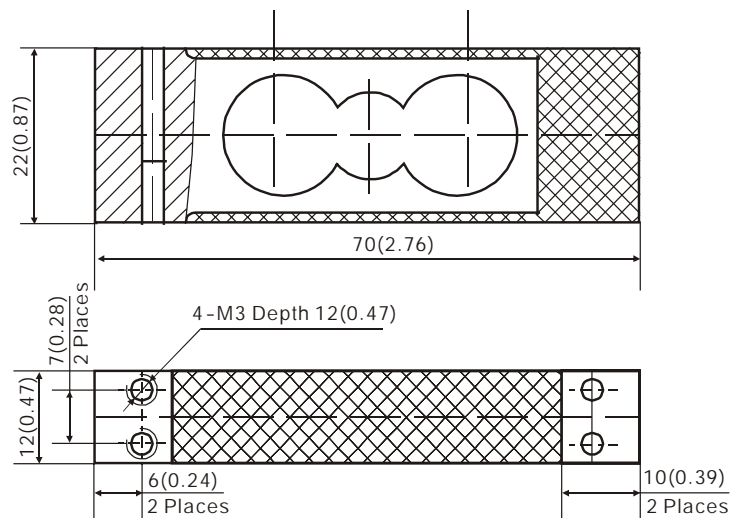
Capacity	Accuracy	Part number
0.3kg	C3D	L6J1-C3D-0.3kg-0.45B
0.4kg	C3D	L6J1-C3D-0.4kg-0.45B
0.5kg	C3D	L6J1-C3D-0.5kg-0.45B
0.6kg	C3D	L6J1-C3D-0.6kg-0.45B
1kg	C3D	L6J1-C3D-1kg-0.45B
3kg	C3D	L6J1-C3D-3kg-0.45B

Specifications

Accuracy Class	C3D	Temperature effect on span (%FS/10)	0.03
Rated output (mV/V)	1.0±0.1	Temperature effect on zero (%FS/10)	0.03
Combined error (%FS)	0.02	Temperature, compensated ()	-10~+40
Non-linearity (%FS)	0.02	Temperature, Operating ()	-35~+65
Non-repeatability (%FS)	0.01	Excitation, Recommended (V)	5~12(DC)
Creep (%FS/30min)	0.02	Excitation, Max.(V)	18(DC)
Input Resistance ()	394±6	Safe Overload (%FS)	150
Output Resistance ()	350±3	Ultimate Overload (%FS)	300
Insulation Resistance (M)	5000(50VDC)	Protection Class	IP 65
Zero Balance (%FS)	2.0	Cable Length (m)	0.45
Off center load error (% , per OIML R76)	0.02	Cable spec	4-wire shielded cable 3.0mm

Connections Red Input(+) Black Input(-) Green Output(+) White Output(-) Transparence (shield)

Outline Dimensions in mm(inches)



Capacity	Accuracy	Part number
5kg	C3D	L6L-C3D-5kg-1B
8kg	C3D	L6L-C3D-8kg-1B
10kg	C3D	L6L-C3D-10kg-1B
15kg	C3D	L6L-C3D-15kg-1B
20kg	C3D	L6L-C3D-20kg-1B
30kg	C3D	L6L-C3D-30kg-1B
50kg	C3D	L6L-C3D-50kg-1B
80kg	C3D	L6L-C3D-80kg-1B
100kg	C3D	L6L-C3D-100kg-1B
150kg	C3D	L6L-C3D-150kg-1B
200kg	C3D	L6L-C3D-200kg-1B



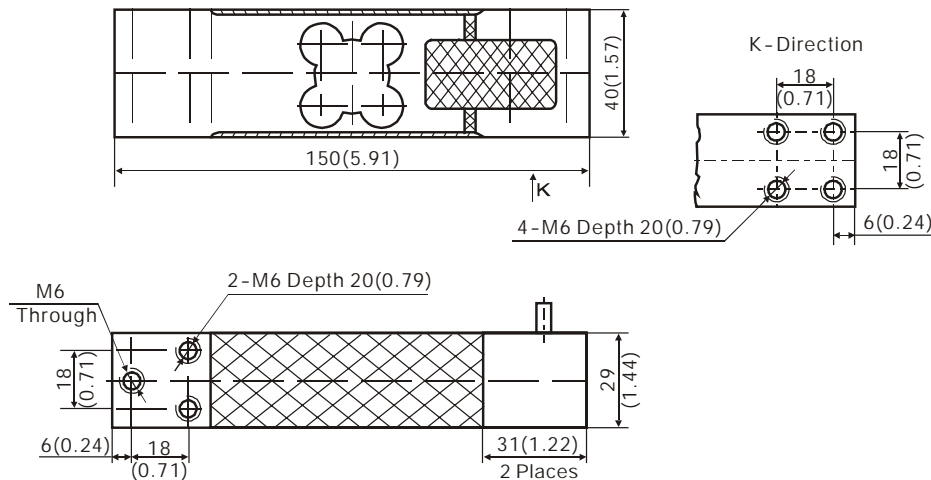
Aluminum, colorless anodized, adhesive sealed.
 Suitable for counting scales, bench scales, etc.
 Recommended platform size: 350x400mm

Specifications

Accuracy Class	C3D	Temperature effect on span (%FS/10 °)	0.017
Rated output (mV/V)	2.0 ± 0.2	Temperature effect on zero (%FS/10 °)	0.02
Combined error (%FS)	0.02	Temperature, compensated (°)	-10~+40
Non-linearity (%FS)	0.02	Temperature, Operating (°)	-35~+65
Non-repeatability (%FS)	0.01	Excitation, Recommended (V)	5~12(DC)
Creep (%FS/30min)	0.02	Excitation, Max. (V)	18(DC)
Input Resistance (Ω)	409 ± 6	Safe Overload (%FS)	150
Output Resistance (Ω)	350 ± 3	Ultimate Overload (%FS)	300
Insulation Resistance (M Ω)	5000(50VDC)	Protection Class	IP 65
Zero Balance (%FS)	2.0	Cable Length (m)	1
Off center load error (% , per OIML R76)	0.02	Cable spec	4-wire shielded cable 3.5mm

Connections Red Input(+) Black Input(-) Green Output(+) White Output(-) Transparence (shield)

Outline Dimensions in mm(inches)





Aluminum, colorless anodized.
Suitable for pricing scales, bench scales, etc.
Recommended platform size: 400x400mm

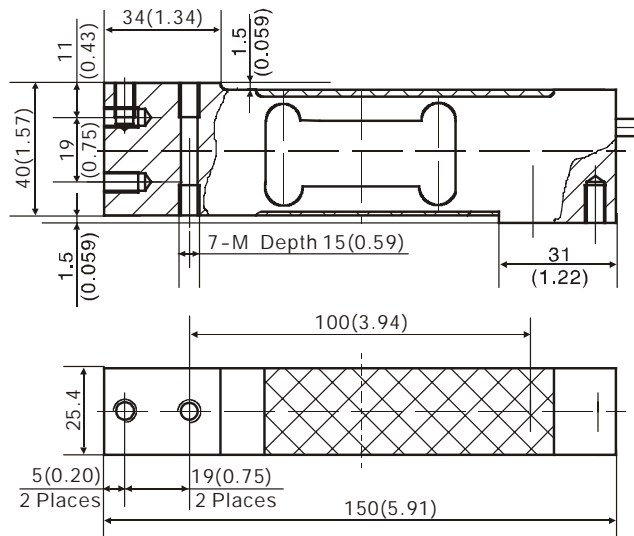
Capacity	Accuracy	Part number	Scale
3kg	C3	L6N-C3-3kg-3B6	Metric
5kg	C3	L6N-C3-5kg-3B6	Metric
8kg	C3	L6N-C3-8kg-3B6	Metric
10kg	C3	L6N-C3-10kg-3B6	Metric
15kg	C3	L6N-C3-15kg-3B6	Metric
20kg	C3	L6N-C3-20kg-3B6	Metric
30kg	C3	L6N-C3-30kg-3B6	Metric
50kg	C3	L6N-C3-50kg-3B6	Metric
75kg	C3	L6N-C3-75kg-3B6	Metric
100kg	C3	L6N-C3-100kg-3B6	Metric
3kg	C3	L6N-C3-3kg-3YB6	Imperial
5kg	C3	L6N-C3-5kg-3YB6	Imperial
8kg	C3	L6N-C3-8kg-3YB6	Imperial
10kg	C3	L6N-C3-10kg-3YB6	Imperial
15kg	C3	L6N-C3-15kg-3YB6	Imperial
20kg	C3	L6N-C3-20kg-3YB6	Imperial
30kg	C3	L6N-C3-30kg-3YB6	Imperial
50kg	C3	L6N-C3-50kg-3YB6	Imperial
75kg	C3	L6N-C3-75kg-3YB6	Imperial
100kg	C3	L6N-C3-100kg-3YB6	Imperial
10lb	C3	L6N-C3-10-3B6	Metric
15lb	C3	L6N-C3-15-3B6	Metric
20lb	C3	L6N-C3-20-3B6	Metric
30lb	C3	L6N-C3-30-3B6	Metric
50lb	C3	L6N-C3-50-3B6	Metric
100lb	C3	L6N-C3-100-3B6	Metric
200lb	C3	L6N-C3-200-3B6	Metric
10lb	C3	L6N-C3-10-3YB6	Imperial
15lb	C3	L6N-C3-15-3YB6	Imperial
20lb	C3	L6N-C3-20-3YB6	Imperial
30lb	C3	L6N-C3-30-3YB6	Imperial
50lb	C3	L6N-C3-50-3YB6	Imperial
100lb	C3	L6N-C3-100-3YB6	Imperial
200lb	C3	L6N-C3-200-3YB6	Imperial

Specifications

Accuracy Class	OIML R60 C3	Temperature effect on span (%FS/10)	0.014
Rated output (mV/V)	2.0±0.2	Temperature effect on zero (%FS/10)	0.017
Combined error (%FS)	0.02	Temperature, compensated ()	-10~+40
Non-linearity (%FS)	0.017	Temperature, Operating ()	-35~+65
Non-repeatability (%FS)	0.01	Excitation, Recommended (V)	5~12(DC)
Creep (%FS/30min)	0.02	Excitation, Max. (V)	18(DC)
Input Resistance ()	409±6	Safe Overload (%FS)	150
Output Resistance ()	350±3	Ultimate Overload (%FS)	300
Insulation Resistance (M)	5000(50VDC)	Protection Class	IP 65
Zero Balance (%FS)	2.0	Cable Length (m)	3
Off center load error (% , per OIML R76)	0.02	Cable spec	6-wire shielded cable 5.0mm

Connections Red Input(+) Black Input(-) Green Output(+) White Output(-)
Blue Sense(+) Brown Sense(-) Transparence (shield)

Outline Dimensions in mm(inches)



	Metric	Imperial
M	M6	1/4-20UNC

Capacity	Accuracy	Part number	Screw
50kg	C3	L6Q-C3-50kg-3B6	Metric
100kg	C3	L6Q-C3-100kg-3B6	Metric
150kg	C3	L6Q-C3-150kg-3B6	Metric
200kg	C3	L6Q-C3-200kg-3B6	Metric
250kg	C3	L6Q-C3-250kg-3B6	Metric
50kg	C3	L6Q-C3-50kg-3YB6	Imperial
100kg	C3	L6Q-C3-100kg-3YB6	Imperial
150kg	C3	L6Q-C3-150kg-3YB6	Imperial
200kg	C3	L6Q-C3-200kg-3YB6	Imperial
250kg	C3	L6Q-C3-250kg-3YB6	Imperial



Aluminum, colorless anodized.
Stainless steel cover, suitable for pricing scales.
Recommended platform size: 400x400mm

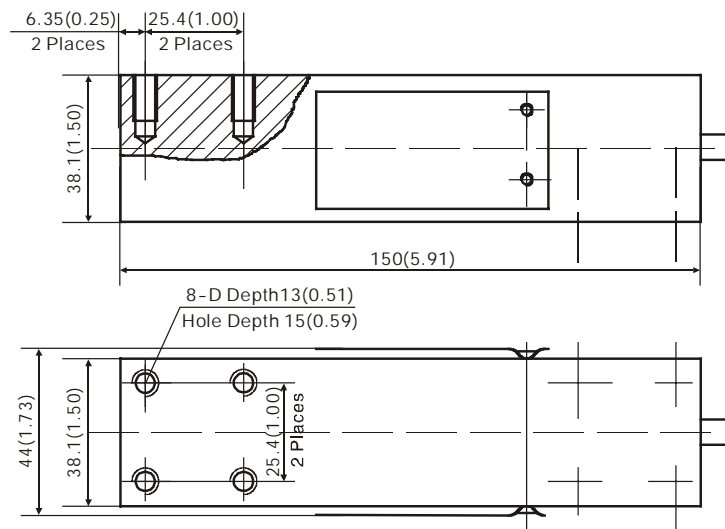
Specifications

Accuracy Class	OIML R60 C3	Temperature effect on span (%FS/10 °)	0.014
Rated output (mV/V)	2.0 ± 0.2	Temperature effect on zero (%FS/10 °)	0.017
Combined error (%FS)	0.02	Temperature, compensated (°)	-10~+40
Non-linearity (%FS)	0.017	Temperature, Operating (°)	-35~+65
Non-repeatability (%FS)	0.01	Excitation, Recommended (V)	5~12(DC)
Creep (%FS/30min)	0.02	Excitation, Max. (V)	18(DC)
Input Resistance (Ω)	406 ± 6	Safe Overload (%FS)	150
Output Resistance (Ω)	350 ± 3	Ultimate Overload (%FS)	300
Insulation Resistance (M Ω)	5000(50VDC)	Protection Class	IP 65
Zero Balance (%FS)	2.0	Cable Length (m)	3
Off center load error (% , per OIML R76)	0.02	Cable spec	6-wire shielded cable 5mm

Connections Green Input (+) Black Input (-) Red Output (+) White Output (-)
Blue Sense (+) Brown Sense (-) Transparence (shield)

Outline Dimensions in mm(inches)

Screw Hole	D
Metric	M6
Imperial	1/4-20UNC-2B





Aluminum, colorless anodized.
 With overload protection screw.
 Suitable for small platform scales like pricing scales,
 bench scales, etc.
 Recommended platform size: 400x400mm

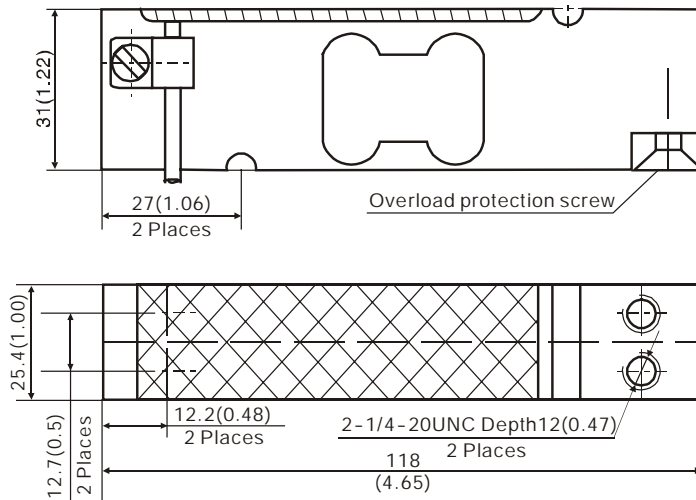
Capacity	Accuracy	Part number
3kg	C3D	L6S-C3D-3kg-0.38B
5kg	C3D	L6S-C3D-5kg-0.38B
8kg	C3D	L6S-C3D-8kg-0.38B
20kg	C3D	L6S-C3D-20kg-0.38B
30kg	C3D	L6S-C3D-30kg-0.38B
35kg	C3D	L6S-C3D-35kg-0.38B

Specifications

Accuracy Class	C3D	Temperature effect on span (%FS/10)	0.017
Rated output (mV/V)	2.0±0.2	Temperature effect on zero (%FS/10)	0.02
Combined error (%FS)	0.02	Temperature, compensated ()	-10~+40
Non-linearity (%FS)	0.02	Temperature, Operating ()	-20~+65
Non-repeatability (%FS)	0.01	Excitation, Recommended (V)	5-12(DC)
Creep (%FS/30min)	0.02	Excitation, Max.(V)	18(DC)
Input Resistance ()	409±6	Safe Overload (%FS)	150
Output Resistance ()	350±3	Ultimate Overload (%FS)	300
Insulation Resistance (M)	5000(50VDC)	Protection Class	IP 65
Zero Balance (%FS)	2.0	Cable Length (m)	0.38
Off center load error (% , per OIML R76)	0.02	Cable spec	4-wire shielded cable 5mm

Connections Red Input(+) Black Input(-) Green Output(+) White Output(-) Transparence (shield)

Outline Dimensions in mm(inches)

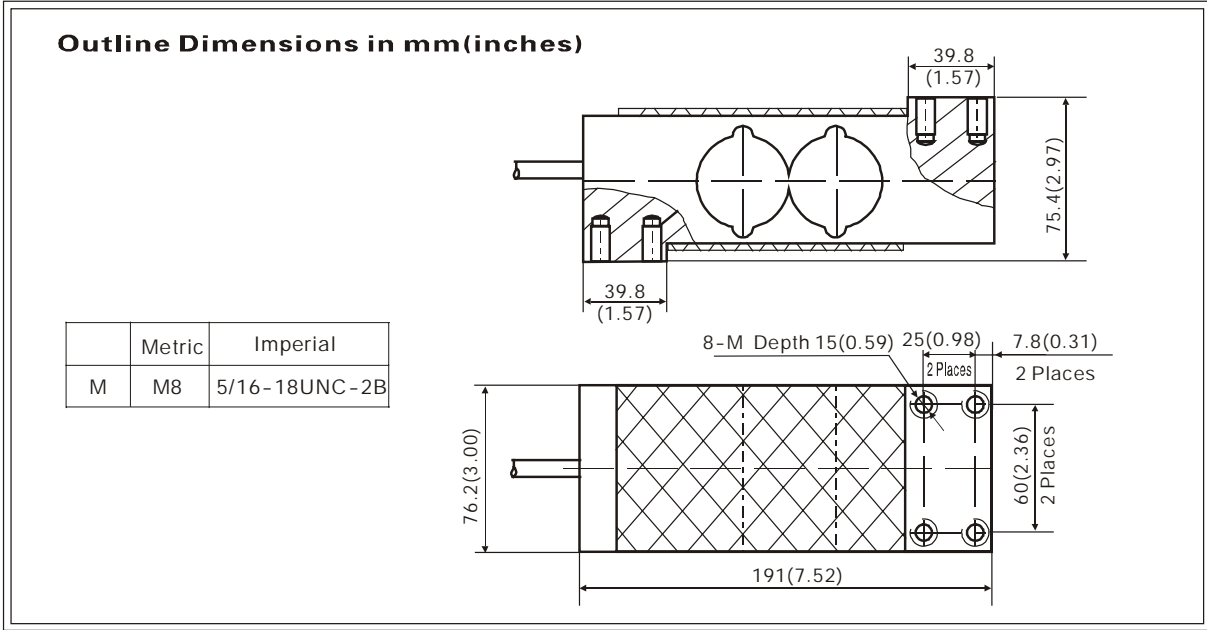


Capacity	Accuracy	Part number	Screw
50kg	C3	L6T-C3-50kg-3B6	Metric
75kg	C3	L6T-C3-75kg-3B6	Metric
100kg	C3	L6T-C3-100kg-3B6	Metric
150kg	C3	L6T-C3-150kg-3B6	Metric
200kg	C3	L6T-C3-200kg-3B6	Metric
250kg	C3	L6T-C3-250kg-3B6	Metric
300kg	C3	L6T-C3-300kg-3B6	Metric
500kg	C3	L6T-C3-500kg-3B6	Metric
635kg	C3	L6T-C3-635kg-3B6	Metric
1000kg	C3	L6T-C3-1000kg-3B6	Metric
50kg	C3	L6T-C3-50kg-3YB6	Imperial
75kg	C3	L6T-C3-75kg-3YB6	Imperial
100kg	C3	L6T-C3-100kg-3YB6	Imperial
150kg	C3	L6T-C3-150kg-3YB6	Imperial
200kg	C3	L6T-C3-200kg-3YB6	Imperial
250kg	C3	L6T-C3-250kg-3YB6	Imperial
300kg	C3	L6T-C3-300kg-3YB6	Imperial
500kg	C3	L6T-C3-500kg-3YB6	Imperial
635kg	C3	L6T-C3-635kg-3YB6	Imperial
1000kg	C3	L6T-C3-1000kg-3YB6	Imperial
100lb	C3	L6T-C3-100-3B6	Metric
250lb	C3	L6T-C3-250-3B6	Metric
400lb	C3	L6T-C3-400-3B6	Metric
500lb	C3	L6T-C3-500-3B6	Metric
700lb	C3	L6T-C3-700-3B6	Metric
1Klb	C3	L6T-C3-1K-3B6	Metric
100lb	C3	L6T-C3-100-3YB6	Imperial
250lb	C3	L6T-C3-250-3YB6	Imperial
400lb	C3	L6T-C3-400-3YB6	Imperial
500lb	C3	L6T-C3-500-3YB6	Imperial
700lb	C3	L6T-C3-700-3YB6	Imperial
1Klb	C3	L6T-C3-1K-3YB6	Imperial



Specifications			
Accuracy Class	OIML R60 C3	Temperature effect on span (%FS/10)	0.014
Rated output (mV/V)	2.0 ± 0.2	Temperature effect on zero (%FS/10)	0.017
Combined error (%FS)	0.02	Temperature, compensated ()	-10~+40
Non-linearity (%FS)	0.017	Temperature, Operating ()	-35~+65
Non-repeatability (%FS)	0.01	Excitation, Recommended (V)	5~12(DC)
Creep (%FS/30min)	0.02	Excitation, Max. (V)	18(DC)
Input Resistance ()	409 ± 6	Safe Overload (%FS)	150
Output Resistance ()	350 ± 3	Ultimate Overload (%FS)	300
Insulation Resistance (M)	5000(50VDC)	Protection Class	IP 65
Zero Balance (%FS)	2.0	Cable Length (m)	3
Off center load error (% , per OIML R76)	0.02	Cable spec	6-wire shielded cable 5mm

Connections Red Input(+) Black Input(-) Green Output(+) White Output(-)
Blue Sense(+) Brown Sense(-) Transparence (shield)



Single Point



Aluminum, colorless anodized.
 Suitable for pricing scales, bench scales, etc.
 Recommended platform size: 50-200 kg 600x600mm
 250-635 kg 600x800mm

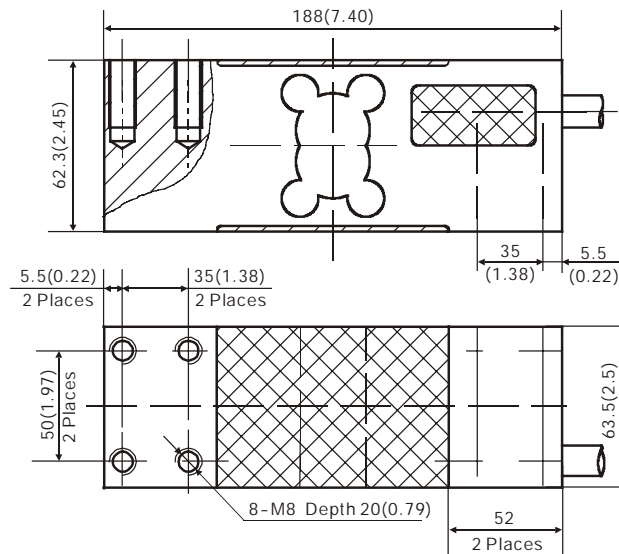
Capacity	Accuracy	Part number
50kg	C3	L6W-C3-50kg-3G6
75kg	C3	L6W-C3-75kg-3G6
100kg	C3	L6W-C3-100kg-3G6
150kg	C3	L6W-C3-150kg-3G6
200kg	C3	L6W-C3-200kg-3G6
250kg	C3	L6W-C3-250kg-3G6
300kg	C3	L6W-C3-300kg-3G6
500kg	C3	L6W-C3-500kg-3G6
635kg	C3	L6W-C3-635kg-3G6

Specifications

Accuracy Class	OIML R60 C3	Temperature effect on span (%FS/10)	0.014
Rated output(mV/V)	2.0±0.2	Temperature effect on zero (%FS/10)	0.017
Combined error (%FS)	0.02	Temperature, compensated ()	-10~+40
Non-linearity (%FS)	0.017	Temperature, Operating ()	-35~+65
Non-repeatability (%FS)	0.01	Excitation, Recommended (V)	5~12(DC)
Creep (%FS/30min)	0.015	Excitation, Max.(V)	18(DC)
Input Resistance ()	406±6	Safe Overload (%FS)	150
Output Resistance ()	350±3	Ultimate Overload (%FS)	300
Insulation Resistance (M)	5000(50VDC)	Protection Class	IP 65
Zero Balance (%FS)	2.0	Cable Length (m)	3
Off center load error (% , per OIML R76)	0.02	Cable spec	6-wire shielded PU cable 5.0mm

Connections Red Input(+) Black Input(-) Green Output(+) White Output(-)
 Blue Sense(+) Yellow Sense(-) Transparence (shield)

Outline Dimensions in mm(inches)

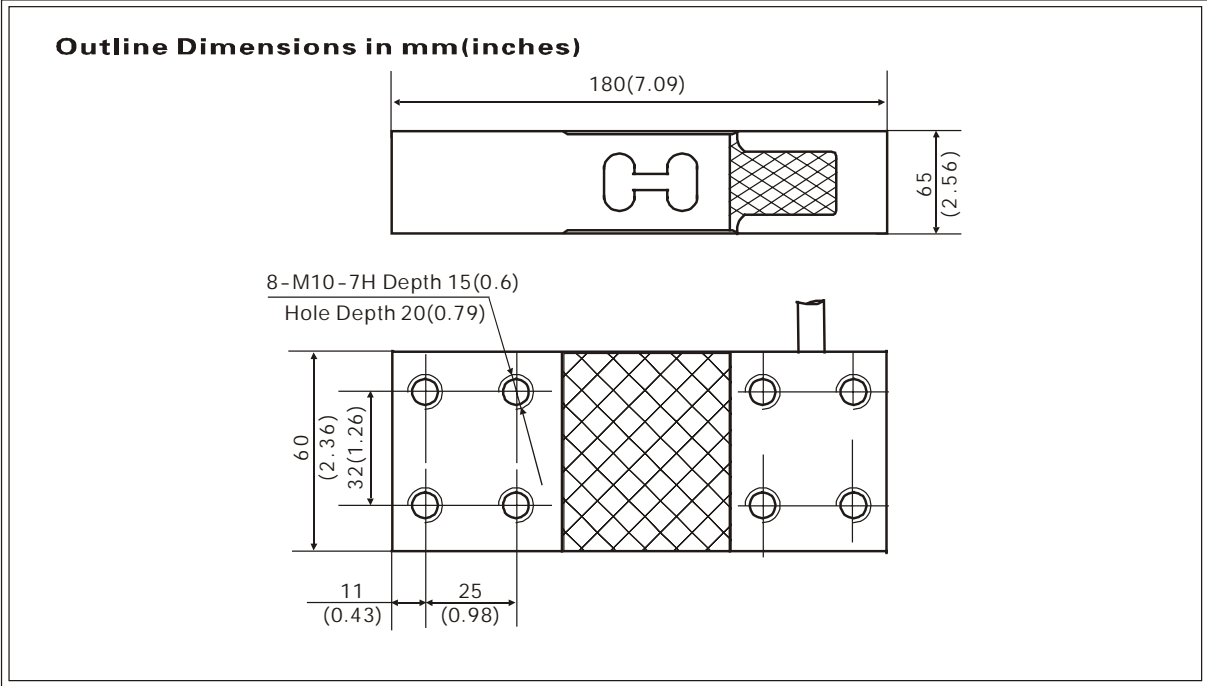


Capacity	Accuracy	Part number
100Kg	C3	H6B-C3-100Kg-3B6
150Kg	C3	H6B-C3-150Kg-3B6
200Kg	C3	H6B-C3-200Kg-3B6
250Kg	C3	H6B-C3-250Kg-3B6
300Kg	C3	H6B-C3-300Kg-3B6
350Kg	C3	H6B-C3-350Kg-3B6
500Kg	C3	H6B-C3-500Kg-3B6
1500Kg	C3	H6B-C3-1500Kg-3B6



Specifications			
Accuracy Class	C3	Temperature effect on span (%FS/10)	0.014
Rated output (mV/V)	2.5 ± 0.1	Temperature effect on zero (%FS/10)	0.017
Combined error (%FS)	0.02	Temperature, Compensated ()	-10~+40
Non-linearity (%FS)	0.017	Temperature, Operating ()	-35~+65
Non-repeatability (%FS)	0.01	Excitation, Recommended (V)	5~12(DC)
Creep (%FS/30min)	0.02	Excitation, Max. (V)	18(DC)
Input Resistance ()	383 ± 3	Safe Overload (%FS)	150
Output Resistance ()	350 ± 3	Ultimate Overload (%FS)	300
Insulation Resistance (M)	5000(50VDC)	Protection Class	IP 67
Zero Balance (%FS)	1.5	Cable Length (m)	3
Off center load error (% , per OIML R76)	0.02	Cable spec	6-wire shielded cable

Connections Red Input (+) Yellow Input (-) Blue Output(+) White Output(-)
 Brown Sense(+) Black Sense(-) Transparence (shield)





17-4PH stainless steel.
Suitable for the pricing scales, bench scales etc.
Recommended platform size:400x400mm

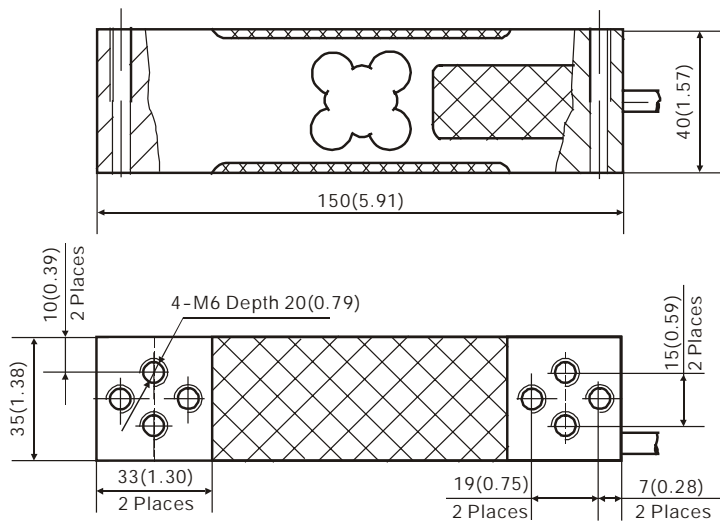
Capacity	Accuracy	Part number
100kg	C3	B6E-C3-100kg-2B
150kg	C3	B6E-C3-150kg-2B
200kg	C3	B6E-C3-200kg-2B
300kg	C3	B6E-C3-300kg-2B

Specifications

Accuracy Class	C3	Temperature effect on span (%FS/10)	0.014
Rated output (mV/V)	2.0 ± 0.02	Temperature effect on zero (%FS/10)	0.017
Combined error (%FS)	0.02	Temperature, Compensated ()	- 10- + 40
Non-linearity (%FS)	0.017	Temperature, Operating ()	- 35- + 65
Non-repeatability (%FS)	0.01	Excitation, Recommended (V)	5-12(DC)
Creep (%FS/30min)	0.015	Excitation, Max.(V)	18(DC)
Input Resistance ()	406 ± 6	Safe Overload (%FS)	150
Output Resistance ()	350 ± 3	Ultimate Overload (%FS)	300
Insulation Resistance (M)	≥5000(50VDC)	Protection Class	IP 65
Zero Balance (%FS)	2.0	Cable Length (m)	2
Off center load error (% , per OIML R76)	0.02	Cable spec	4-wire shielded cable 5.3mm

Connections Red Input (+) Black Input (-) Green Output(+) White Output(-) Transparence (shield)

Outline Dimensions in mm(inches)



Capacity	Accuracy	Part number
100kg	C3	H6E-C3-100kg-2B
150kg	C3	H6E-C3-150kg-2B
200kg	C3	H6E-C3-200kg-2B
300kg	C3	H6E-C3-300kg-2B



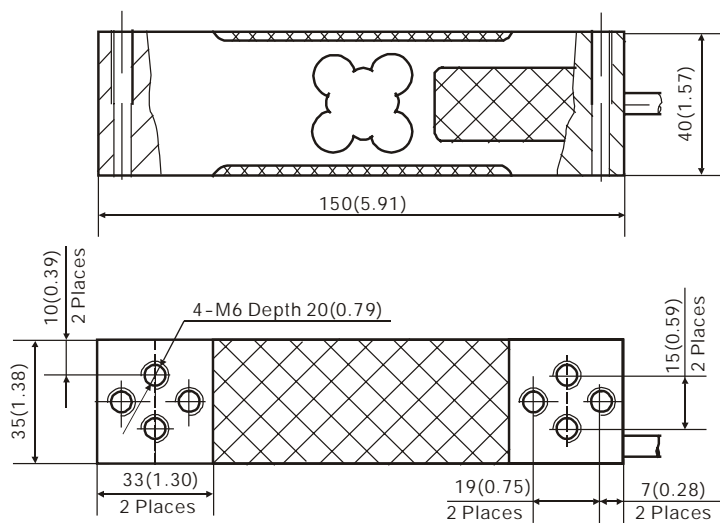
High intensity alloy steel, nickel-plated.
 Suitable for pricing scales, bench scales, etc.
 Recommended platform size: 400x400mm

Specifications

Accuracy Class	C3	Temperature effect on span (%FS/10 °C)	0.014
Rated output (mV/V)	2.0 ± 0.02	Temperature effect on zero (%FS/10 °C)	0.017
Combined error (%FS)	0.02	Temperature, Compensated (°C)	- 10 - + 40
Non-linearity (%FS)	0.017	Temperature, Operating (°C)	- 35 - + 65
Non-repeatability (%FS)	0.01	Excitation, Recommended (V)	5-12(DC)
Creep (%FS/30min)	0.015	Excitation, Max. (V)	18(DC)
Input Resistance (Ω)	406 ± 6	Safe Overload (%FS)	150
Output Resistance (Ω)	350 ± 3	Ultimate Overload (%FS)	300
Insulation Resistance (M Ω)	≥ 5000(50VDC)	Protection Class	IP 65
Zero Balance (%FS)	2.0	Cable Length (m)	2
Off center load error (% , per OIML R76)	0.02	Cable spec	4-wire shielded cable 5.3mm

Connections Red Input (+) Black Input (-) Green Output(+) White Output(-) Transparence (shield)

Outline Dimensions in mm(inches)





17-4PH stainless steel.
 Suitable for single or double load cells structured platform scales.
 Recommended platform size: 100-200kg 400x400mm
 250-500kg 600x800mm
 750-2000kg 1200x1200mm

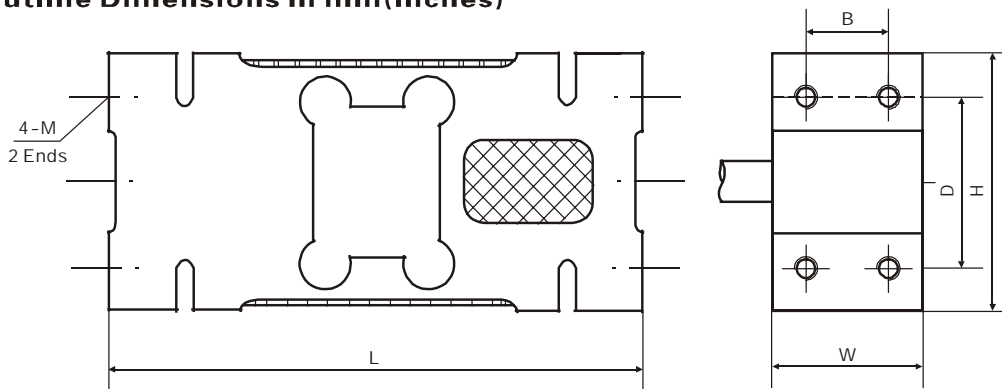
Capacity	Accuracy	Part number
100kg	C3	B6F-C3-100kg-3B6
150kg	C3	B6F-C3-150kg-3B6
200kg	C3	B6F-C3-200kg-3B6
250kg	C3	B6F-C3-250kg-3B6
500kg	C3	B6F-C3-500kg-3B6
750kg	C3	B6F-C3-750kg-3B6
1000kg	C3	B6F-C3-1000kg-3B6
2000kg	C3	B6F-C3-2000kg-3B6

Specifications

Accuracy Class	C3	Temperature effect on span (%FS/10)	0.014
Rated output (mV/V)	2.0±0.02	Temperature effect on zero (%FS/10)	0.017
Combined error (%FS)	0.02	Temperature, Compensated ()	- 10- + 40
Non-linearity (%FS)	0.017	Temperature, Operating ()	- 35- + 65
Non-repeatability (%FS)	0.01	Excitation, Recommended (V)	5-12(DC)
Creep (%FS/30min)	0.02	Excitation, Max. (V)	18(DC)
Input Resistance ()	409±6	Safe Overload (%FS)	150
Output Resistance ()	350±3	Ultimate Overload (%FS)	300
Insulation Resistance (M)	≥5000(50VDC)	Protection Class	IP 65
Zero Balance (%FS)	2.0	Cable Length (m)	3
Off center load error (% , per OIML R76)	0.02	Cable spec	6-wire shielded cable 6.2mm

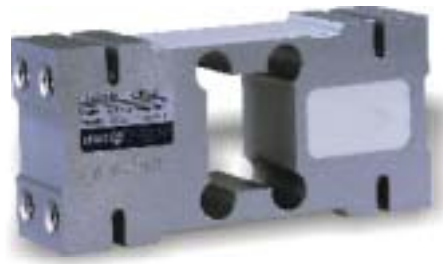
Connections Red Input(+) Yellow Input(-) Blue Output(+) White Output(-)
 Brown Sense(+) Black Sense(-) Transparence (shield)

Outline Dimensions in mm(inches)



Capacity (kg)	Dimensions					
	L	W	H	D	B	M
100-200	156 (6.14)	44 (1.73)	75 (2.95)	50 (1.96)	24 (0.94)	M12
250-500	146 (5.74)	60 (2.36)	95 (3.74)	70 (2.75)	36 (1.41)	M12
750-2000	176 (6.92)	76 (2.99)	125 (4.92)	95 (3.74)	46 (1.81)	M16

Capacity	Accuracy	Part number
100kg	C3	H6F-C3-100kg-3B6
150kg	C3	H6F-C3-150kg-3B6
200kg	C3	H6F-C3-200kg-3B6
250kg	C3	H6F-C3-250kg-3B6
300kg	C3	H6F-C3-350kg-3B6
500kg	C3	H6F-C3-500kg-3B6
750kg	C3	H6F-C3-750kg-3B6
1000kg	C3	H6F-C3-1000kg-3B6
2000kg	C3	H6F-C3-2000kg-3B6



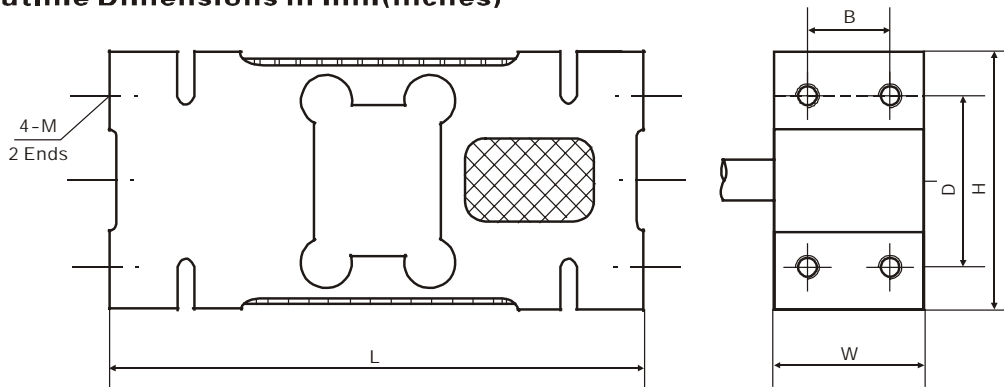
Alloy steel, nickel-plated.
 Suitable for single or double load cells structured platform scales.
 Recommended platform size: 100-200kg 400x400mm
 250-500kg 600x800mm
 750-2000kg 1200x1200mm

Specifications

Accuracy Class	C3	Temperature effect on span (%FS/10 °)	0.014
Rated output (mV/V)	2.0 ± 0.02	Temperature effect on zero (%FS/10 °)	0.017
Combined error (%FS)	0.02	Temperature, Compensated (°)	- 10~ + 40
Non-linearity (%FS)	0.017	Temperature, Operating (°)	- 35~ + 65
Non-repeatability (%FS)	0.01	Excitation, Recommended (V)	5~12(DC)
Creep (%FS/30min)	0.02	Excitation, Max. (V)	18(DC)
Input Resistance (Ω)	409 ± 6	Safe Overload (%FS)	150
Output Resistance (Ω)	350 ± 3	Ultimate Overload (%FS)	300
Insulation Resistance (M Ω)	≥5000(50VDC)	Protection Class	IP 65
Zero Balance (%FS)	2.0	Cable Length (m)	3
Off center load error (% , per OIML R76)	0.02	Cable spec	6-wire shielded cable 6.2mm

Connections Red Input(+) Yellow Input(-) Blue Output(+) White Output(-)
 Brown Sense(+) Black Sense(-) Transparence (shield)

Outline Dimensions in mm(inches)



Capacity (kg)	Dimensions					
	L	W	H	D	B	M
100-200	156 (6.14)	44 (1.73)	75 (2.95)	50 (1.96)	24 (0.94)	M12
250-500	146 (5.74)	60 (2.36)	95 (3.74)	70 (2.75)	36 (1.41)	M12
750-2000	176 (6.92)	76 (2.99)	125 (4.92)	95 (3.74)	46 (1.81)	M16



17-4PH stainless steel.
Suitable for single or double load cells structured platform scales.
Recommended platform size: 600x600mm

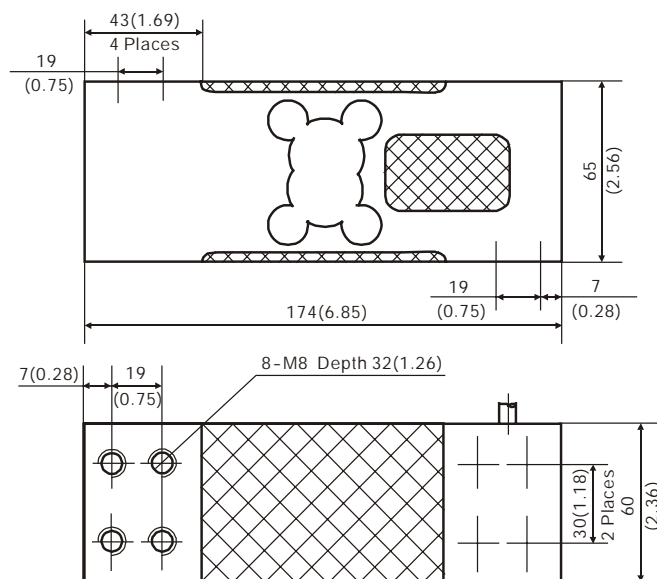
Capacity	Accuracy	Part number
100kg	C3	B6G-C3-100kg-3B6
150kg	C3	B6G-C3-150kg-3B6
200kg	C3	B6G-C3-200kg-3B6
250kg	C3	B6G-C3-250kg-3B6
300kg	C3	B6G-C3-300kg-3B6
500kg	C3	B6G-C3-500kg-3B6
600kg	C3	B6G-C3-600kg-3B6

Specifications

Accuracy Class	C3	Temperature effect on span (%FS/10)	0.014
Rated output (mV/V)	2.0 ± 0.02	Temperature effect on zero (%FS/10)	0.017
Combined error (%FS)	0.02	Temperature, Compensated ()	- 10 - + 40
Non-linearity (%FS)	0.017	Temperature, Operating ()	- 35 - + 65
Non-repeatability (%FS)	0.01	Excitation, Recommended (V)	5~12(DC)
Creep (%FS/30min)	0.015	Excitation, Max. (V)	18(DC)
Input Resistance ()	409 ± 6	Safe Overload (%FS)	150
Output Resistance ()	350 ± 3	Ultimate Overload (%FS)	300
Insulation Resistance (M)	≥5000(50VDC)	Protection Class	IP 65
Zero Balance (%FS)	2.0	Cable Length (m)	3
Off center load error (% , per OIML R76)	0.02	Cable spec	6-wire shielded cable 6mm

Connections Red Input (+) Black Input (-) Green Output(+) White Output(-)
Blue Sense (+) Yellow Sense (-) Transparence (shield)

Outline Dimensions in mm(inches)



Capacity	Accuracy	Part number
100kg	C3	H6G-C3-100kg-3B6
150kg	C3	H6G-C3-150kg-3B6
200kg	C3	H6G-C3-200kg-3B6
250kg	C3	H6G-C3-250kg-3B6
300kg	C3	H6G-C3-300kg-3B6
500kg	C3	H6G-C3-500kg-3B6
600kg	C3	H6G-C3-600kg-3B6



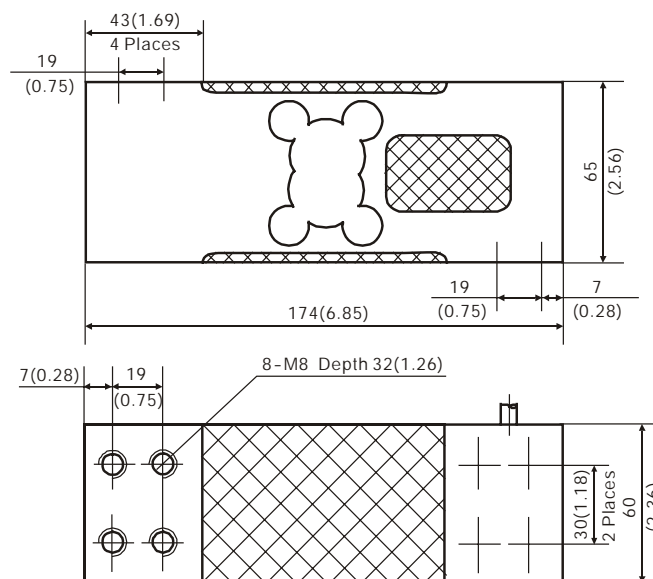
Alloy steel, nickel-plated.
 Suitable for single or double load cells structured platform scales.
 Recommended platform size: 600x600mm

Specifications

Accuracy Class	C3	Temperature effect on span (%FS/10)	0.014
Rated output (mV/V)	2.0±0.02	Temperature effect on zero (%FS/10)	0.017
Combined error (%FS)	0.02	Temperature, Compensated ()	- 10~ + 40
Non-linearity (%FS)	0.017	Temperature, Operating ()	- 35~ + 65
Non-repeatability (%FS)	0.01	Excitation, Recommended (V)	5~12(DC)
Creep (%FS/30min)	0.015	Excitation, Max. (V)	18(DC)
Input Resistance ()	409±6	Safe Overload (%FS)	150
Output Resistance ()	350±3	Ultimate Overload (%FS)	300
Insulation Resistance (M)	≥5000(50VDC)	Protection Class	IP 65
Zero Balance (%FS)	2.0	Cable Length (m)	3
Off center load error (% , per OIML R76)	0.02	Cable spec	6-wire shielded cable 6mm

Connections Red Input (+) Black Input (-) Green Output(+) White Output(-)
 Blue Sense (+) Yellow Sense (-) Transparence (shield)

Outline Dimensions in mm(inches)





Alloy steel, nickel-plated.
Adhesive sealed, 3000 interval Suitable for big platform electronic scales like packaging scales, weight checking scales, hopper system etc.

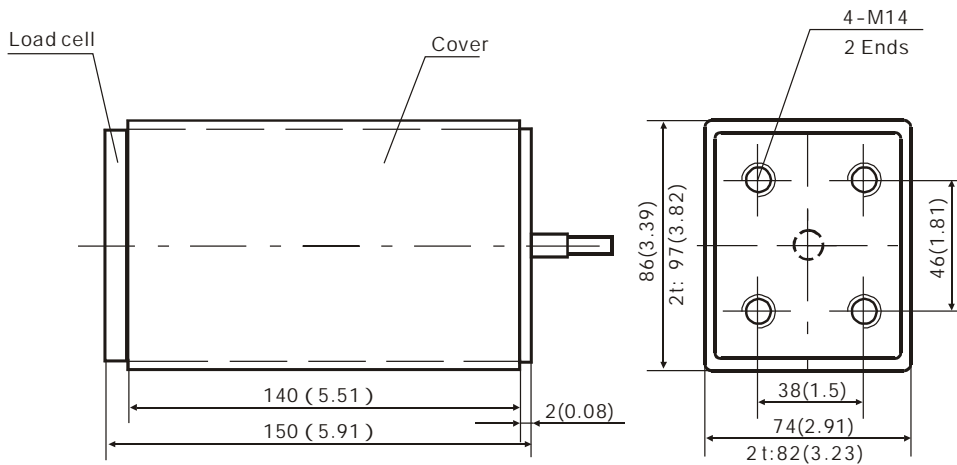
Capacity	Accuracy	Part number
50kg	C3	H6G5-C3-50kg-2.5B6
100kg	C3	H6G5-C3-100kg-2.5B6
150kg	C3	H6G5-C3-150kg-2.5B6
200kg	C3	H6G5-C3-200kg-2.5B6
250kg	C3	H6G5-C3-250kg-2.5B6
300kg	C3	H6G5-C3-300kg-2.5B6
500kg	C3	H6G5-C3-500kg-2.5B6
1.0t	C3	H6G5-C3-1.0t-2.5B6
2.0t	C3	H6G5-C3-2.0t-2.5B6

Specifications

Accuracy Class	C3	Temperature effect on span (%FS/10)	0.018
Rated output (mV/V)	2.0±0.002	Temperature effect on zero (%FS/10)	0.02
Combined error (%FS)	0.02	Temperature, Compensated ()	-10~+40
Non-linearity (%FS)	0.017	Temperature, Operating ()	-35~+65
Non-repeatability (%FS)	0.01	Excitation, Recommended (V)	5-12(DC)
Creep (%FS/30min)	0.02	Excitation, Max.(V)	18(DC)
Input Resistance ()	387±4.0	Safe Overload (%FS)	150
Output Resistance ()	350±3.5	Ultimate Overload (%FS)	300
Insulation Resistance (M)	5000(50VDC)	Protection Class	IP 67
Zero Balance (%FS)	1.5	Cable length(m)	2.5
Off center load error (% , per OIML R76)	0.02	Cable spec	6-wire shielded cable 6mm

Connections Red Input (+) Yellow Input (-) Blue Output(+) White Output(-)
Brown Sense (+) Black Sense (-)

Outline Dimensions in mm(inches)



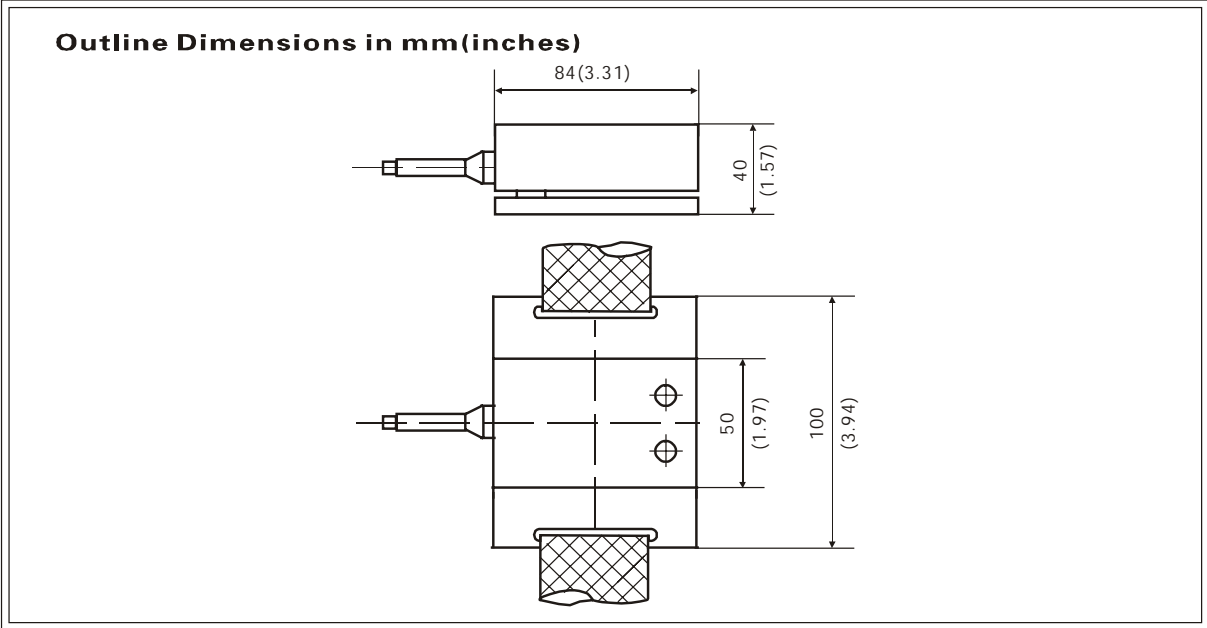
Capacity Accuracy Part number
 1KN C1 H6K-C1-1KN-4T



Alloy steel, adhesive sealed.
 Suitable for measuring the force applied to treadle.

Specifications			
Accuracy Class	C1	Temperature effect on zero (%FS/10 °C)	0.02
Rated output (mV/V)	2.0 ± 0.005	Temperature, Compensated (°C)	-10 ~ +40
Combined error (%FS)	0.05	Temperature, Operating (°C)	-35 ~ +65
Non-linearity (%FS)	0.045	Excitation, Recommended (V)	5 ~ 12(DC)
Non-repeatability (%FS)	0.03	Excitation, Max. (V)	18(DC)
Creep (%FS/30min)	0.05	Safe Overload (%FS)	150
Input Resistance (Ω)	400 ± 30	Ultimate Overload (%FS)	300
Output Resistance (Ω)	350 ± 3	Protection Class	IP 67
Insulation Resistance (MΩ)	5000(50VDC)	Cable Length (m)	4
Zero Balance (%FS)	1.5	Cable spec	4-wire shielded cable
Temperature effect on span (%FS/10 °C)	0.02		

Connections Red Input (+) Yellow Input (-) Blue Output (+) White Output(-)





17-4PH stainless steel, adhesive sealed.
Suitable for electronic weighing and measuring equipments like platform scales, belt scales, etc.

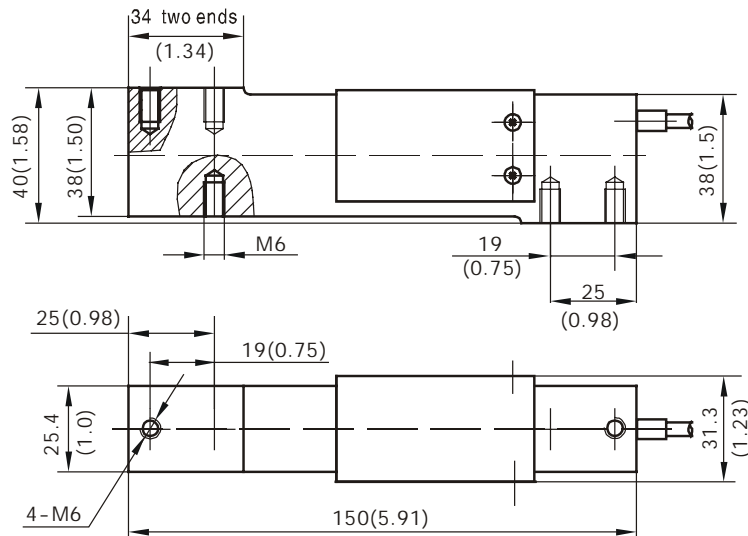
Capacity	Accuracy	Part number
15kg	C3	B6N-C3-15kg-1B6
20kg	C3	B6N-C3-20kg-1B6
30kg	C3	B6N-C3-30kg-1B6
50kg	C3	B6N-C3-50kg-1B6
75kg	C3	B6N-C3-75kg-1B6
100kg	C3	B6N-C3-100kg-1B6
150kg	C3	B6N-C3-150kg-1B6
200kg	C3	B6N-C3-200kg-1B6

Specifications

Accuracy Class	C3	Temperature effect on span (%FS/10 °)	0.014
Rated output (mV/V)	2.0 ± 0.2	Temperature effect on zero (%FS/10 °)	0.017
Combined error (%FS)	0.02	Temperature, Compensated (°)	-10~+40
Non-linearity (%FS)	0.017	Temperature, Operating (°)	-35~+65
Non-repeatability (%FS)	0.01	Excitation, Recommended (V)	5-12(DC)
Creep (%FS/30min)	0.02	Excitation, Max. (V)	18(DC)
Input Resistance (Ω)	383 ± 4	Safe Overload (%FS)	150
Output Resistance (Ω)	350 ± 3.5	Ultimate Overload (%FS)	300
Insulation Resistance (M Ω)	5000(50VDC)	Protection Class	IP67
Zero Balance (%FS)	1.0	Cable Length (m)	1
Off center load error (% , per OIML R76)	0.02	Cable spec	6-wire shielded PU cable

Connections Red Input (+) Black Input (-) Green Output(+) White Output(-)
Yellow Sense (+) Blue Sense (-) Transparence (shield)

Outline Dimensions in mm(inches)



Capacity	Accuracy	Part number
200kg	C3	B6Q-C3-200kg-1.5B6
250kg	C3	B6Q-C3-250kg-1.5B6



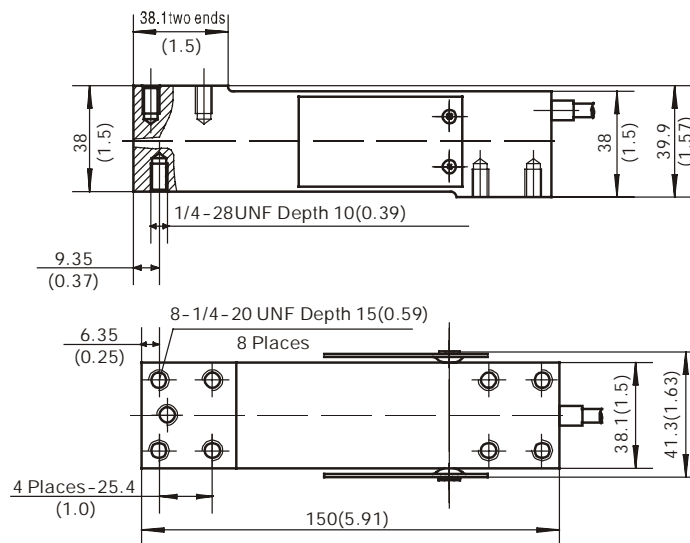
17-4PH stainless steel, adhesive sealed.
Suitable for electronic weighing and measuring equipments like platform scales, belt scales, etc.

Specifications

Accuracy Class	C3	Temperature effect on span (%FS/10 °)	0.014
Rated output (mV/V)	2.0±0.2	Temperature effect on zero (%FS/10 °)	0.017
Combined error (%FS)	0.02	Temperature, Compensated (°)	-10~+40
Non-linearity (%FS)	0.017	Temperature, Operating (°)	-35~+65
Non-repeatability (%FS)	0.01	Excitation, Recommended (V)	5-12(DC)
Creep (%FS/30min)	0.02	Excitation, Max.(V)	18(DC)
Input Resistance (Ω)	383±4	Safe Overload (%FS)	150
Output Resistance (Ω)	350±3.5	Ultimate Overload (%FS)	300
Insulation Resistance (M Ω)	5000(50VDC)	Protection Class	IP67
Zero Balance (%FS)	1.0	Cable Length (m)	1.5
Off center load error (% , per OIML R76)	0.02	Cable spec	6-wire shielded PU cable

Connections Green Input (+) Black Input (-) White Output(+) Red Output(-)
Yellow Sense (+) Blue Sense (-) Transparence (shield)

Outline Dimensions in mm(inches)





17-4PH stainless steel, welding-sealed.
Suitable for electronic weighing and measuring equipments like platform scales, belt scales, etc.

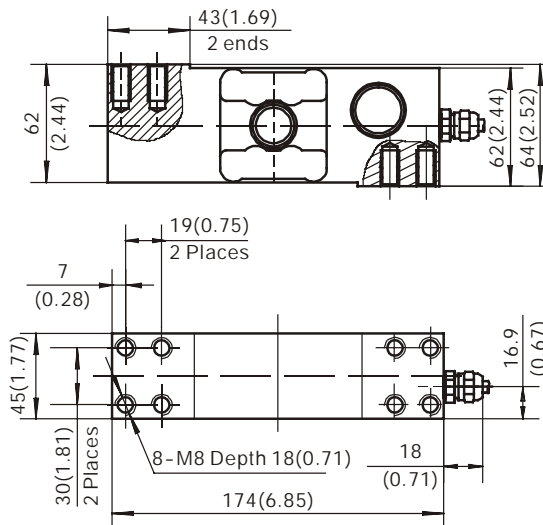
Capacity	Accuracy	Part number
200kg	C3	BM6G-C3-200kg-3B
300kg	C3	BM6G-C3-300kg-3B
400kg	C3	BM6G-C3-400kg-3B
500kg	C3	BM6G-C3-500kg-3B

Specifications

Accuracy Class	C3	Temperature effect on span (%FS/10 °)	0.014
Rated output (mV/V)	2.0±0.01	Temperature effect on zero (%FS/10 °)	0.017
Combined error (%FS)	0.02	Temperature, Compensated (°)	-10~+40
Non-linearity (%FS)	0.017	Temperature, Operating (°)	-35~+65
Non-repeatability (%FS)	0.01	Excitation, Recommended (V)	5-12(DC)
Creep (%FS/30min)	0.02	Excitation, Max.(V)	18(DC)
Input Resistance (Ω)	350±3.5	Safe Overload (%FS)	150
Output Resistance (Ω)	350±3.5	Ultimate Overload (%FS)	300
Insulation Resistance (M Ω)	5000(50VDC)	Protection Class	IP68
Zero Balance (%FS)	1.0	Cable Length (m)	3
Off center load error (% , per OIML R76)	0.02	Cable spec	4-wire shielded PU cable

Connections Red Input (+) Black Input (-) Green Output(+) White Output(-) Transparence (shield)

Outline Dimensions in mm(inches)



Capacity	Accuracy	Part number
6kg	C3	BM6A-C3-6kg-6B6
12kg	C3	BM6A-C3-12kg-6B6
30kg	C3	BM6A-C3-30kg-6B6
60kg	C3	BM6A-C3-60kg-6B6



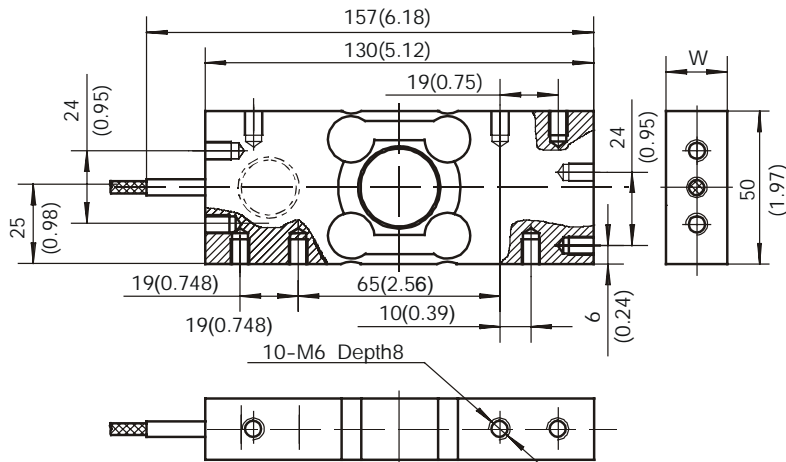
17-4PH stainless steel, welding-sealed.
Suitable for electronic weighing and measuring equipments like platform scales, belt scales, packaging scales, etc.

Specifications

Accuracy Class	C3	Temperature effect on span (%FS/10 °C)	0.014
Rated output (mV/V)	2.0 ± 0.2	Temperature effect on zero (%FS/10 °C)	0.017
Combined error (%FS)	0.02	Temperature, Compensated (°C)	-10~+40
Non-linearity (%FS)	0.017	Temperature, Operating (°C)	-35~+65
Non-repeatability (%FS)	0.01	Excitation, Recommended (V)	5-12(DC)
Creep (%FS/30min)	0.02	Excitation, Max. (V)	18(DC)
Input Resistance (Ω)	400 ± 20	Safe Overload (%FS)	150
Output Resistance (Ω)	350 ± 3.5	Ultimate Overload (%FS)	300
Insulation Resistance (M Ω)	5000(50VDC)	Protection Class	IP68
Zero Balance (%FS)	1.0	Cable Length (m)	6
Off center load error (% , per OIML R76)	0.02	Cable spec	6-wire shielded PU cable

Connections Green Input (+) Black Input (-) White Output(+) Red Output(-)
Yellow Sense (+) Blue Sense (-) Transparence (shield)

Outline Dimensions in mm(inches)





17-4PH stainless steel, welding-sealed.
Suitable for electronic weighing equipments like belt scales, hopper scales, etc.

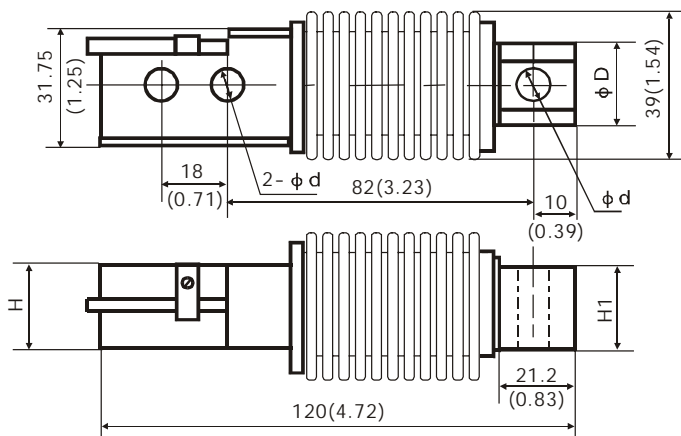
Capacity	Accuracy	Part number
20kg	C3	BM11-C3-20kg-3B-SC
30kg	C3	BM11-C3-30kg-3B-SC
50kg	C3	BM11-C3-50kg-3B-SC
100kg	C3	BM11-C3-100kg-3B-SC
200kg	C3	BM11-C3-200kg-3B-SC
350kg	C3	BM11-C3-350kg-3B-SC
500kg	C3	BM11-C3-500kg-3B-SC

Specifications

Accuracy Class	OIML R60 C3	NTEP , L	Temperature effect on zero (%FS/10)	0.017
Rated output (mV/V)	2.0 ± 0.02		Temperature, Compensated ()	- 10~ + 40
Combined error (%FS)	0.02		Temperature, Operating ()	- 35~ + 65
Non-linearity (%FS)	0.017		Excitation, Recommended (V)	5~12(DC)
Non-repeatability (%FS)	0.01		Excitation, Max.(V)	18(DC)
Creep (%FS/30min)	0.02		Safe Overload (%FS)	150
Input Resistance ()	460 ± 50		Ultimate Overload (%FS)	300
Output Resistance ()	350 ± 3.5		Protection Class	IP 68
Insulation Resistance (M)	≥5000(50VDC)		Cable Length (m)	3
Zero Balance (%FS)	1.0		Cable spec	4-wire shielded PU cable 5mm
Temperature effect on span (%FS/10)	0.014			

Connections Green Input (+) Black Input (-) White Output(+) Red Output(-) Transparence (shield)

Outline Dimensions in mm(inches)



Capacity (kg)	d	D	H1	H
20-200	8.2 (0.32)	23 (0.91)	20 (0.79)	20 (0.79)
350,500	10.3 (0.41)	24 (0.94)	19 (0.75)	20 (0.79)

Capacity Accuracy Part number

20kg	C3	HM11-C3-20kg-3B-SC
30kg	C3	HM11-C3-30kg-3B-SC
50kg	C3	HM11-C3-50kg-3B-SC
100kg	C3	HM11-C3-100kg-3B-SC
200kg	C3	HM11-C3-200kg-3B-SC
350kg	C3	HM11-C3-350kg-3B-SC
500kg	C3	HM11-C3-500kg-3B-SC



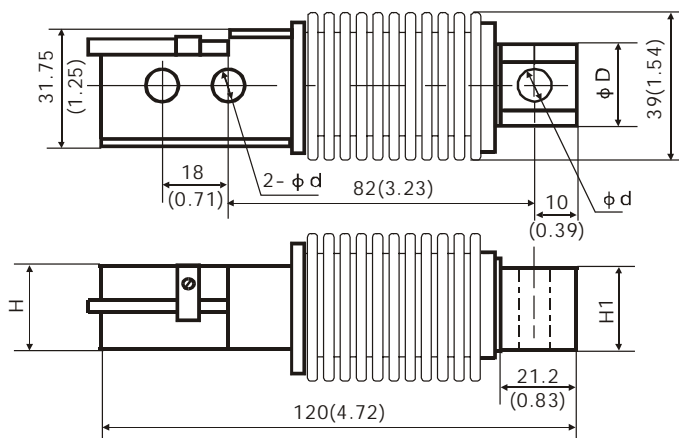
Alloy steel, welding-sealed.
Suitable for electronic weighing equipments like belt scales, hopper scales, etc.

Specifications

Accuracy Class	OIML R60 C3	NTEP	, L	Temperature effect on zero (%FS/10)	0.017
Rated output (mV/V)	2.0 ± 0.02			Temperature, Compensated ()	- 10~ + 40
Combined error (%FS)	0.02			Temperature, Operating ()	- 35~ + 65
Non-linearity (%FS)	0.017			Excitation, Recommended (V)	5~ 12(DC)
Non-repeatability (%FS)	0.01			Excitation, Max. (V)	18(DC)
Creep (%FS/30min)	0.02			Safe Overload (%FS)	150
Input Resistance ()	460 ± 50			Ultimate Overload (%FS)	300
Output Resistance ()	350 ± 3.5			Protection Class	IP68
Insulation Resistance (M)	≥5000(50VDC)			Cable Length (m)	3
Zero Balance (%FS)	1.0			Cable spec	4-wire shielded PU cable φ5mm
Temperature effect on span (%FS/10)	0.014				

Connections Green Input (+) Black Input (-) White Output(+) Red Output(-) Transparence (shield)

Outline Dimensions in mm(inches)



Dimensions Capacity (kg)	d	D	H1	H
20-200	8.2 (0.32)	23 (0.91)	20 (0.79)	20 (0.79)
350,500	10.3 (0.41)	24 (0.94)	19 (0.75)	20 (0.79)



Alloy steel, surface flange treatment, spray paint, hermetically sealed. Suitable for the special measuring equipments.

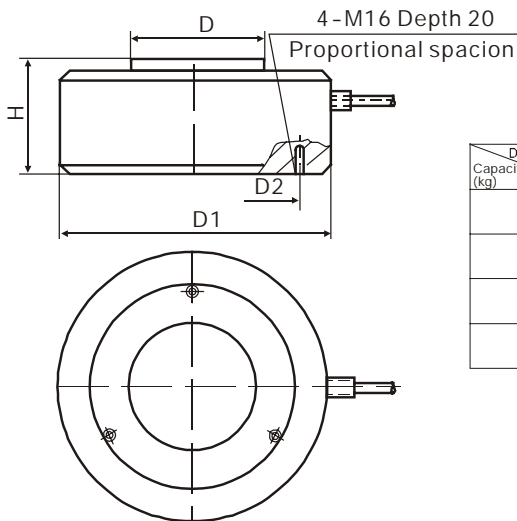
Capacity	Accuracy	Part number
1MN	G2	H2A-G2-1MN-5T
2MN	G2	H2A-G2-2MN-5T
3MN	G2	H2A-G2-3MN-5T
4MN	G2	H2A-G2-4MN-5T
5MN	G2	H2A-G2-5MN-5T
1MN	G3	H2A-G3-1MN-5T
2MN	G3	H2A-G3-2MN-5T
3MN	G3	H2A-G3-3MN-5T
4MN	G3	H2A-G3-4MN-5T
5MN	G3	H2A-G3-5MN-5T
1MN	G5	H2A-G5-1MN-5T
2MN	G5	H2A-G5-2MN-5T
3MN	G5	H2A-G5-3MN-5T
4MN	G5	H2A-G5-4MN-5T
5MN	G5	H2A-G5-5MN-5T
1MN	G10	H2A-G10-1MN-5T
2MN	G10	H2A-G10-2MN-5T
3MN	G10	H2A-G10-3MN-5T
4MN	G10	H2A-G10-4MN-5T
5MN	G10	H2A-G10-5MN-5T

Specifications

Accuracy Class	G2	G3	G5	G10	Temperature effect on zero (%FS/10)	0.1
Rated output (mV/V)	2.0				Temperature, Compensated ()	-10~+40
Combined error (%FS)	0.2	0.3	0.5	1.0	Temperature, Operating ()	-35~+65
Non-linearity (%FS)	0.2	0.3	0.5	1.0	Excitation, Recommended (V)	5~12(DC)
Non-repeatability (%FS)	0.1				Excitation, Max. (V)	18(DC)
Creep (%FS/30min)	0.1				Safe Overload (%FS)	150
Input Resistance ()	1072 ± 5				Ultimate Overload (%FS)	300
Output Resistance ()	1050 ± 5				Protection Class	IP 67
Insulation Resistance (M)	5000(50VDC)				Cable Length (m)	5
Zero Balance (%FS)	2.0				Cable spec	4 - wire shielded cable 5mm
Temperature effect on span (%FS/10)	0.05					

Connections Red Input (+) Black Input (-) Green Output(+) White Output(-)

Outline Dimensions in mm(inches)



Dimensions Capacity (kg)	100	200	300	400	500
D	41 (1.61)	60 (2.36)	73 (2.87)	92 (3.62)	115 (4.53)
D1	260 (10.24)	290 (11.42)	330 (12.99)	400 (15.75)	400 (15.75)
D2	200 (7.87)	225 (8.86)	251 (9.88)	296 (11.65)	307 (12.09)
H	80 (3.15)	104 (4.09)	123 (4.84)	132 (5.20)	132 (5.20)

Capacity	Accuracy	Part number
5.0t	C2	H2D-C2-5.0t-5B
10t	C2	H2D-C2-10t-5B
20t	C2	H2D-C2-20t-10B



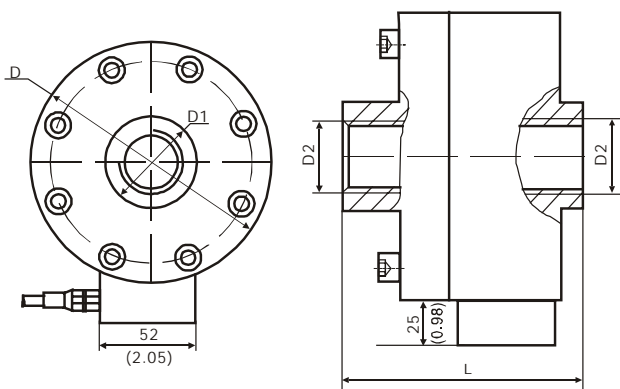
Alloy steel, nickel-plated, compression or tension applications. Suitable for all kinds of weighing and measuring equipments like crane scales, hopper scales, etc.

Specifications

Accuracy Class	C2	Temperature effect on zero (%FS/10 °C)	0.02
Rated output (mV/V)	2.0 ± 0.008	Temperature, Compensated (°C)	-10~+40
Combined error (%FS)	0.03	Temperature, Operating (°C)	-35~+65
Non-linearity (%FS)	0.03	Excitation, Recommended (V)	5~12(DC)
Non-repeatability (%FS)	0.01	Excitation, Max. (V)	18(DC)
Creep (%FS/30min)	0.02	Safe Overload (%FS)	150
Input Resistance (Ω)	750 ± 10	Ultimate Overload (%FS)	300
Output Resistance (Ω)	700 ± 7	Protection Class	IP 67
Insulation Resistance (M Ω)	5000(50VDC)	Cable Length (m)	5(5,10t),10(20t)
Zero Balance (%FS)	1.0	Cable spec	4-wire shielded cable 5mm
Temperature effect on span (%FS/10 °C)	0.02		

Connections Red Input (+) Black Input (-) Green Output(+) White Output(-)

Outline Dimensions in mm(inches)



Dimensions Capacity (kg)	L	D	D1	D2
5	83 (3.27)	128 (5.04)	45 (1.77)	M24 × 2
10	150 (5.91)	160 (6.30)	60 (2.36)	M39 × 2
20	220 (8.66)	200 (7.87)	80 (3.15)	M60 × 2



Alloy steel, nickel-plated, hermetically sealed.
 Suitable for all kinds of electronic weighing and measuring equipments like truck scales, hopper scales, etc.
 Weighing Assembly Available See model HM-2-401 on page 78.

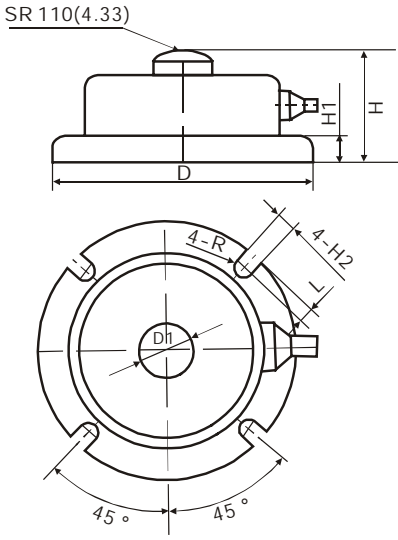
Capacity	Accuracy	Part number
1.0t	C1	H2F-C1-1.0t-3T6
2.0t	C1	H2F-C1-2.0t-3T6
3.0t	C1	H2F-C1-3.0t-3T6
5.0t	C1	H2F-C1-5.0t-4T6
10t	C1	H2F-C1-10t-4T6
15t	C1	H2F-C1-15t-5T6
20t	C1	H2F-C1-20t-5T6
30t	C1	H2F-C1-30t-5T6
50t	C1	H2F-C1-50t-5T6
1.0t	C2	H2F-C2-1.0t-3T6
2.0t	C2	H2F-C2-2.0t-3T6
3.0t	C2	H2F-C2-3.0t-3T6
5.0t	C2	H2F-C2-5.0t-4T6
10t	C2	H2F-C2-10t-4T6
15t	C2	H2F-C2-15t-5T6
20t	C2	H2F-C2-20t-5T6
30t	C2	H2F-C2-30t-5T6
50t	C2	H2F-C2-50t-5T6

Specifications

Accuracy Class	C1	C2	Temperature effect on zero (%FS/10)	0.02
Rated output (mV/V)	2.0 ± 0.01		Temperature, Compensated ()	-10~+40
Combined error (%FS)	0.05	0.03	Temperature, Operating ()	-35~+65
Non-linearity (%FS)	0.05	0.03	Excitation, Recommended (V)	5~12(DC)
Non-repeatability (%FS)	0.01		Excitation, Max. (V)	18(DC)
Creep (%FS/30min)	0.02		Safe Overload (%FS)	150
Input Resistance ()	770 ± 30		Ultimate Overload (%FS)	300
Output Resistance ()	700 ± 3		Protection Class	IP 67
Insulation Resistance (M)	5000(50VDC)		Cable Length (m)	3(1-3t),4(5-10t),5(15-50t)
Zero Balance (%FS)	1.0		Cable spec	6-wire shielded cable 6mm
Temperature effect on span (%FS/10)	0.02			

Connections Red Input (+) Yellow Input (-) Blue Output (+) White Output (-)
 Brown Sense (+) Black Sense (-) Transparence (shield)

Outline Dimensions in mm(inches)



Capacity (kg)	D	D1	H	H1	H2	L
1	115 (4.53)	22 (0.87)	43 (1.69)	12 (0.47)	8.4 (0.33)	8 (0.31)
2	120 (4.72)	26 (1.02)	45 (1.77)	12 (0.47)	8.4 (0.33)	8 (0.31)
3, 5	128 (5.04)	20 (0.79)	46 (1.81)	8 (0.31)	10.4 (0.41)	7 (0.28)
10	160 (6.30)	40 (1.57)	63 (2.48)	15 (0.59)	10.4 (0.41)	10 (0.39)
15	194 (7.64)	42 (1.65)	68 (2.68)	20 (0.79)	12.4 (0.49)	12 (0.47)
20	220 (8.66)	44 (1.73)	73 (2.87)	22 (0.87)	12.4 (0.49)	12 (0.47)
30	230 (9.06)	48 (1.89)	78 (3.07)	25 (0.98)	12.4 (0.49)	12 (0.47)
50	264 (10.39)	52 (2.05)	90 (3.54)	30 (1.18)	12.4 (0.49)	12 (0.47)

Spoke type

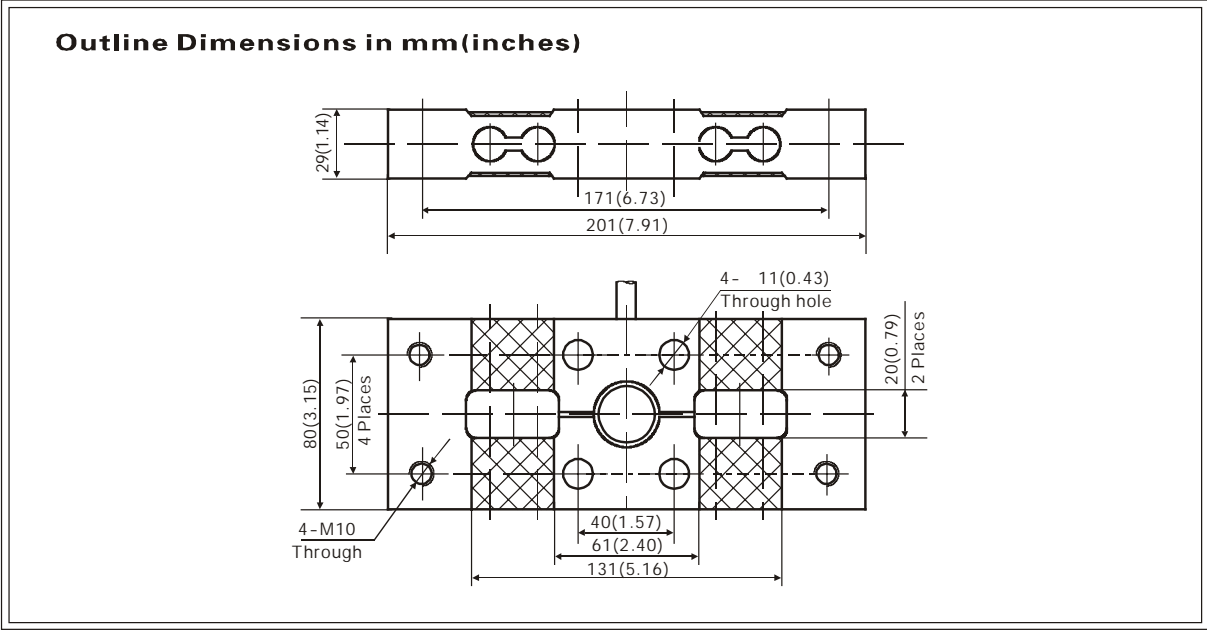
Capacity Accuracy Part number
 500kg G1 L16-G1-500kg-6B



Aluminum, colorless anodized, suitable for electronic weighing systems.

Specifications			
Accuracy Class	G1	Temperature effect on zero (%FS/10 °C)	0.1
Rated output (mV/V)	2.2 ± 0.3	Temperature, Compensated (°C)	-10 - +40
Combined error (%FS)	0.1	Temperature, Operating (°C)	-35 - +65
Non-linearity (%FS)	0.1	Excitation, Recommended (V)	5 - 12(DC)
Non-repeatability (%FS)	0.05	Excitation, Max. (V)	18(DC)
Creep (%FS/30min)	0.1	Safe Overload (%FS)	150
Input Resistance (Ω)	1450 ± 50	Ultimate Overload (%FS)	300
Output Resistance (Ω)	1400 ± 20	Protection Class	IP 65
Insulation Resistance (M Ω)	5000(50VDC)	Cable Length (m)	6
Zero Balance (%FS)	2.0	Cable spec	4-wire shielded cable 5mm
Temperature effect on span (%FS/10 °C)	0.1		

Connections Red input(+) Black Input(-) Green Output(+) White Output(-) Transparence (shield)





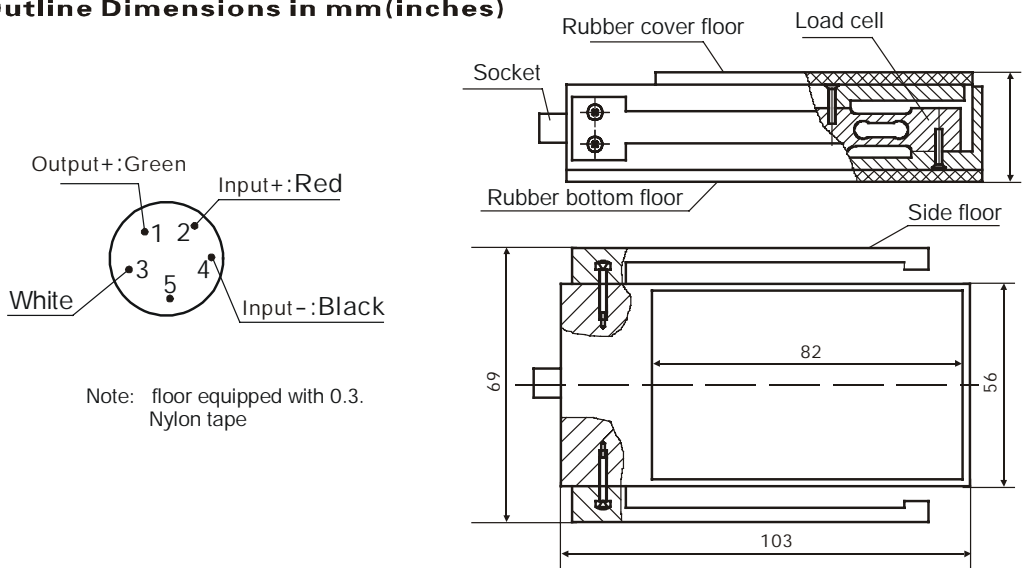
High reliability and stability.
Suitable for measuring the force applied to treadle.

Capacity Accuracy Part number
100kg G1 L16A-G1-100kg-6J

Specifications

Accuracy Class	G1	Temperature effect on zero (%FS/10)	0.1
Rated output (mV/V)	2.2 ± 0.3	Temperature, Compensated ()	-10~+40
Combined error (%FS)	0.1	Temperature, Operating ()	-35~+65
Non-linearity (%FS)	0.1	Excitation, Recommended (V)	5-12(DC)
Non-repeatability (%FS)	0.05	Excitation, Max.(V)	18(DC)
Creep (%FS/30min)	0.05	Safe Overload (%FS)	150
Input Resistance ()	778 ± 15	Ultimate Overload (%FS)	300
Output Resistance ()	700 ± 5	Protection Class	IP 65
Insulation Resistance (M)	5000(50VDC)	Cable Length (m)	6 With plugs on two ends
Zero Balance (%FS)	2.0	Cable spec	4-wire shielded PU cable 3.8mm
Temperature effect on span (%FS/10)	0.1		

Outline Dimensions in mm(inches)



Capacity Accuracy Part number

50kg	C3	B3G-C3-50kg-6B
100kg	C3	B3G-C3-100kg-6B
250kg	C3	B3G-C3-250kg-6B
500kg	C3	B3G-C3-500kg-6B
1.0t	C3	B3G-C3-1.0t-6B
2.5t	C3	B3G-C3-2.5t-6B
5.0t	C3	B3G-C3-5.0t-6B
7.5t	C3	B3G-C3-7.5t-6B
10t	C3	B3G-C3-10t-6B
50 lb	N3	B3G-N3-50-6YB
75 lb	N3	B3G-N3-75-6YB
100 lb	N10	B3G-N10-100-6YB
150 lb	N10	B3G-N10-150-6YB
200 lb	N10	B3G-N10-200-6YB
250 lb	N10	B3G-N10-250-6YB
300 lb	N10	B3G-N10-300-6YB
500 lb	N10	B3G-N10-500-6YB
750 lb	N10	B3G-N10-750-6YB
1Klb	N10	B3G-N10-1K-6YB
1.5Klb	N10	B3G-N10-1.5K-6YB
2Klb	N10	B3G-N10-2K-6YB
2.5Klb	N10	B3G-N10-2.5K-6YB
3Klb	N10	B3G-N10-3K-6YB
5Klb	N10	B3G-N10-5K-6YB
10Klb	N10	B3G-N10-10K-6YB
15Klb	N10	B3G-N3-N3-6YB
20Klb	N10	B3G-N3-N3-6YB



Specifications			
Accuracy Class	OIML R60 C3	NTEP , L	N3
Rated output (mV/V)	3.0 ± 0.008		
Combined error (%FS)	0.02	0.03	
Non-linearity (%FS)	0.02	0.03	
Non-repeatability (%FS)	0.01		
Creep (%FS/30min)	0.02	0.03	
Input Resistance (Ω)	430 ± 60		
Output Resistance (Ω)	350 ± 3.5		
Insulation Resistance (M Ω)	5000(50VDC)		
Zero Balance (%FS)	1.0		
Temperature effect on span (%FS/10 °C)	0.014	0.02	
Temperature effect on zero (%FS/10 °C)	0.017	0.02	
Temperature, Compensated (°C)	-10~+40		
Temperature, Operating (°C)	-35~+65		
Excitation, Recommended (V)	5~12(DC)		
Excitation, Max. (V)	18(DC)		
Safe Overload (%FS)	150		
Ultimate Overload (%FS)	300		
Protection Class	IP 67		
Cable Length (m)	6		
Cable spec	4-wire shielded PU cable 5mm		

Connections Red Input(+) Black Input(-) Green Output(+) White Output(-) Transparence (Shield)

Outline Dimensions in mm(inches)					
Capacity	Dimensions				
	L	H	b	B	M
0.05t, 0.1t (0.05-0.3Klb)	50.8 (2.00)	60.96 (2.40)	11.68 (0.46)	15.06 (0.59)	M8 (1/4-28UNF)
0.25t, 0.5t (0.5-1.5Klb)	50.8 (2.00)	60.96 (2.40)	18.03 (0.71)	21.41 (0.84)	M12 (1/2-20UNF)
1t (2.2.5Klb)	50.8 (2.00)	60.96 (2.40)	24.38 (0.96)	27.76 (1.09)	M12 (1/2-20UNF)
2.5t (3Klb)	76.2 (3.00)	99.06 (3.90)	24.38 (0.96)	27.76 (1.09)	M20 × 1.5 (1/2-20UNF)
5Klb	76.2 (3.00)	99.06 (3.90)	24.38 (0.96)	27.76 (1.09)	3/4-16UNF
5t (10Klb)	74.68 (2.94)	99.06 (3.90)	30.74 (1.21)	34.12 (1.34)	M20 × 1.5 (3/4-16UNF)
7.5t (15Klb)	87.38 (3.44)	139.7 (5.50)	37.08 (1.46)	40.46 (1.59)	M24 × 2 (1-14UNF)
10t (20Klb)	112.78 (4.44)	177.8 (7.00)	42.93 (1.69)	46.31 (1.82)	M30 × 2 (5/4-12UNF)

S-type

Capacity Accuracy Part number



Alloy steel, nickel - plated, tension or compression applications. Suitable for hanging scales, mechanical conversion scales, hopper scales and other electronic weighing devices.

Weighing Assembly Available—See Model HL-3 series on page 79 and 80.

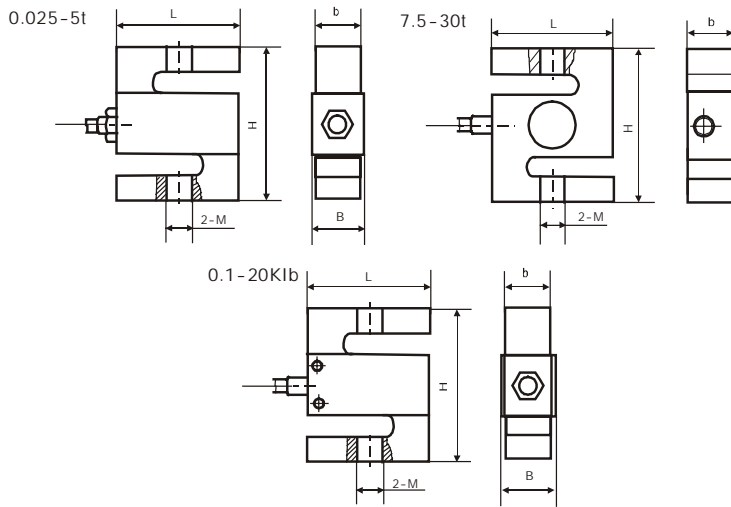
25kg	C3	H3-C3-25kg-3B
50kg	C3	H3-C3-50kg-3B
100kg	C3	H3-C3-100kg-3B
150kg	C3	H3-C3-150kg-3B
200kg	C3	H3-C3-200kg-3B
250kg	C3	H3-C3-250kg-3B
300kg	C3	H3-C3-300kg-3B
500kg	C3	H3-C3-500kg-3B
600kg	C3	H3-C3-600kg-3B
750kg	C3	H3-C3-750kg-3B
1.0t	C3	H3-C3-1.0t-3B
1.5t	C3	H3-C3-1.5t-3B
2.0t	C3	H3-C3-2.0t-6B
2.5t	C3	H3-C3-2.5t-6B
3.0t	C3	H3-C3-3.0t-6B
5.0t	C3	H3-C3-5.0t-6B
7.5t	C3	H3-C3-7.5t-6B
10t	C3	H3-C3-10t-6B
15t	C3	H3-C3-15t-6B
20t	C3	H3-C3-20t-6B
30t	C3	H3-C3-30t-6B
100 lb	N10	H3-N10-100-6YB
150 lb	N10	H3-N10-150-6YB
200 lb	N10	H3-N10-200-6YB
250 lb	N10	H3-N10-250-6YB
300 lb	N10	H3-N10-300-6YB
500 lb	N10	H3-N10-500-6YB
750 lb	N10	H3-N10-750-6YB
1Klb	N10	H3-N10-1K-6YB
1.5Klb	N10	H3-N10-1.5K-6YB
2Klb	N10	H3-N10-2K-6YB
2.5Klb	N10	H3-N10-2.5K-6YB
3Klb	N10	H3-N10-3K-6YB
5Klb	N10	H3-N10-5K-6YB
10Klb	N10	H3-N10-10K-6YB
15Klb	N10	H3-N10-15K-6YB
20Klb	N10	H3-N10-20K-6YB

Specifications

Accuracy Class	OIML R60 C3	N10	Temperature effect on zero (%FS/10)	0.017
Rated output (mV/V)	2.0±0.004(Metric)	3.0±0.008(Imperial)	Temperature, Compensated ()	-10~+40
Combined error (%FS)	0.02		Temperature, Operating ()	-35~+65
Non-linearity (%FS)	0.02		Excitation, Recommended (V)	5-12(DC)
Non-repeatability (%FS)	0.01		Excitation, Max. (V)	18(DC)
Creep (%FS/30min)	0.02		Safe Overload (%FS)	150
Input Resistance ()	350±3.5		Ultimate Overload (%FS)	300
Output Resistance ()	350±3.5		Protection Class	IP 67
Insulation Resistance (M)	5000(50VDC)		Cable Length (m)	3(0.025-0.75t),6(1-30t),6(0.1-20Klb)
Zero Balance (%FS)	1.5(Metric)	1.0(Imperial)	Cable spec	4-wire shielded PU cable 5mm
Temperature effect on span (%FS/10)	0.014			

Connections Red Input(+) Black Input(-) Green Output(+) White Output(-) Transparence (Shield)

Outline Dimensions in mm(inches)



Capacity	L	H	b	B	M
25-50kg	50.8 (2.00)	76.2 (3.00)	12.7 (0.50)	14.5 (0.57)	M8
0.1-0.15t	50.8 (2.00)	76.2 (3.00)	19.0 (0.75)	20.8 (0.82)	M10×1.5
0.2-0.75t	50.8 (2.00)	76.2 (3.00)	19.0 (0.75)	20.8 (0.82)	M12×1.75
1-1.5t	50.8 (2.00)	76.2 (3.00)	25.4 (1.00)	27.2 (1.07)	M12×1.75
2-5t	76.2 (3.00)	101.6 (4.00)	25.4 (1.00)	27.2 (1.07)	M20×1.5
7.5-10t	125 (4.92)	175 (6.89)	50 (1.97)	/	M33×3
15-20t	160 (6.3)	200 (7.87)	60 (2.36)	/	M42×3
30t	190 (7.48)	230 (9.06)	80 (3.15)	/	M42×3
100-300lb	50.8 (2.00)	63.5 (2.50)	12.7 (0.50)	15.9 (0.63)	1/4-28UNF
500lb	50.8 (2.00)	63.5 (2.50)	19.05 (0.75)	22.25 (0.88)	1/2-20UNF
0.75-1.5Klb	50.8 (2.00)	63.5 (2.50)	19.05 (0.75)	22.25 (0.88)	1/2-20UNF
2-2.5Klb	50.8 (2.00)	63.5 (2.50)	25.4 (1.00)	28.6 (1.13)	1/2-20UNF
3Klb	76.2 (3.00)	101.6 (4.00)	25.4 (1.00)	28.6 (1.13)	1/2-20UNF
5-10Klb	76.2 (3.00)	101.6 (4.00)	25.4 (1.00)	28.6 (1.13)	3/4-16UNF
15Klb	101.6 (4.00)	139.7 (5.50)	31.75 (1.25)	34.95 (1.38)	1-14UNS
20Klb	127 (5.00)	177.8 (7.00)	50.8 (2.00)	54 (2.13)	5/4-12UNF

Capacity	Accuracy	Part number
10t	C3	H3C-C3-10t-1B
20t	C3	H3C-C3-20t-1B



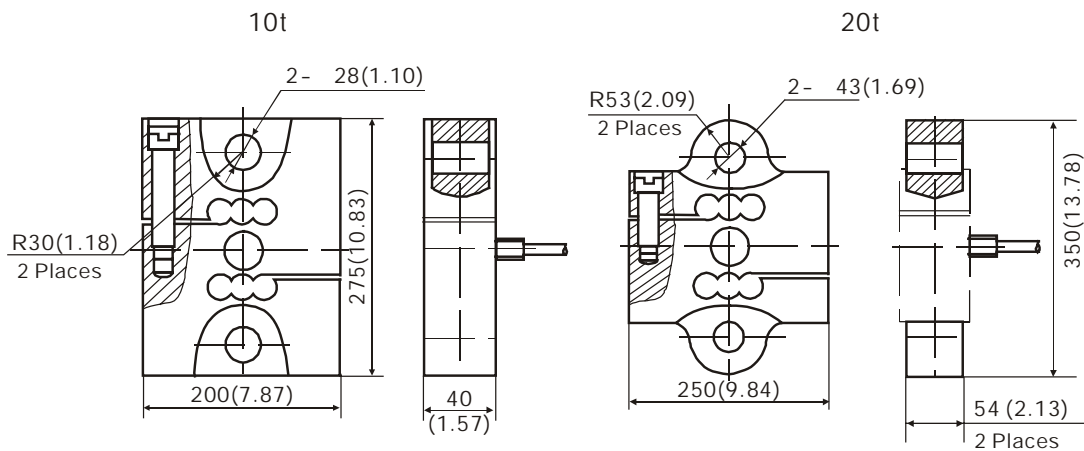
Alloy steel, nickel - plated, tension or compression applications. Suitable for hanging scales.

Specifications

Accuracy Class	C3	Temperature effect on zero (%FS/10)	0.02
Rated output (mV/V)	2.0±0.01	Temperature, Compensated ()	-10~+40
Combined error (%FS)	0.02	Temperature, Operating ()	-35~+65
Non-linearity (%FS)	0.017	Excitation, Recommended (V)	5~12(DC)
Non-repeatability (%FS)	0.01	Excitation, Max. (V)	18(DC)
Creep (%FS/30min)	0.02	Safe Overload (%FS)	120
Input Resistance ()	460±50	Ultimate Overload (%FS)	150
Output Resistance ()	350±3	Protection Class	IP 67
Insulation Resistance (M)	5000(50VDC)	Cable Length (m)	1
Zero Balance (%FS)	1.5	Cable spec	4-wire shielded cable 5mm
Temperature effect on span (%FS/10)	0.02		

Connections Red Input(+) Black Input(-) Green Output(+) White Output(-) Transparence (Shield)

Outline Dimensions in mm(inches)





Alloy steel, nickel - plated, tension or compression applications.
Suitable for hanging scales, mechanical conversion scales, hopper scales and other electronic weighing devices.

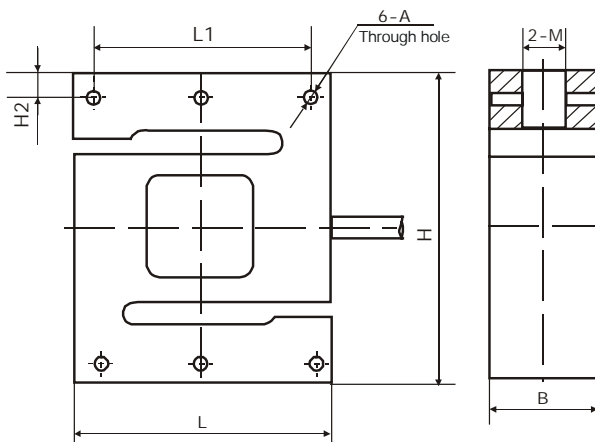
Capacity	Accuracy	Part number
1.0t	C3	H3E-C3-1.0t-0.5B
2.0t	C3	H3E-C3-2.0t-0.5B
3.0t	C3	H3E-C3-3.0t-0.5B
5.0t	C3	H3E-C3-5.0t-0.5B
7.5t	C3	H3E-C3-7.5t-0.5B
10t	C3	H3E-C3-10t-0.5B
15t	C3	H3E-C3-15t-0.5B

Specifications

Accuracy Class	C3	Temperature effect on zero (%FS/10)	0.02
Rated output(mV/V)	2.0±0.002	Temperature, Compensated ()	-10~+40
Combined error (%FS)	0.02	Temperature, Operating ()	-35~+65
Non-linearity (%FS)	0.017	Excitation, Recommended (V)	5~12(DC)
Non-repeatability (%FS)	0.01	Excitation, Max. (V)	18(DC)
Creep (%FS/30min)	0.02	Safe Overload (%FS)	150
Input Resistance ()	400±30	Ultimate Overload (%FS)	300
Output Resistance ()	350±3	Protection Class	IP 67
Insulation Resistance (M)	5000(50VDC)	Cable Length (m)	0.5
Zero Balance (%FS)	1.5	Cable spec	4-wire shielded cable 5mm
Temperature effect on span (%FS/10)	0.02		

Connections Red Input(+) Black Input(-) Green Output(+) White Output(-) Transparence (Shield)

Outline Dimensions in mm(inches)



Capacity	Dimensions						
	L	H	B	M	A	L1	L2
1-5 (2K-10Klb)	70 (2.76)	106 (4.17)	30 (1.18)	M16	M6	50 (1.97)	10.5 (0.41)
7.5, 10 (15Klb, 20Klb)	120 (4.72)	180 (7.09)	50 (1.97)	M30	M8	90 (3.54)	15 (0.59)

Capacity Accuracy Part number

100kg	C3	H3F-C3-100kg-6T
250kg	C3	H3F-C3-250kg-6T
500kg	C3	H3F-C3-500kg-6T
750kg	C3	H3F-C3-750kg-6T
1.0t	C3	H3F-C3-1.0t-6T
1.5t	C3	H3F-C3-1.5t-6T
2.0t	C3	H3F-C3-2.0t-6T
2.5t	C3	H3F-C3-2.5t-6T
5.0t	C3	H3F-C3-5.0t-6T
250 lb	N10	H3F-N10-250-6YT
500 lb	N10	H3F-N10-500-6YT
750 lb	N10	H3F-N10-750-6YT
1Klb	N10	H3F-N10-1K-6YT
1.5Klb	N10	H3F-N10-1.5K-6YT
2Klb	N10	H3F-N10-2K-6YT
2.5Klb	N10	H3F-N10-2.5K-6YT
3Klb	N10	H3F-N10-3K-6YT
5Klb	N10	H3F-N10-5K-6YT
7.5Klb	N10	H3F-N10-7.5K-6YT
10Klb	N10	H3F-N10-10K-6YT
15Klb	N10	H3F-N10-15K-6YT
20Klb	N10	H3F-N10-20K-6YT



Alloy steel, nickel - plated, tension or compression applications. Suitable for hanging scales, mechanical conversion scales, hopper scales and other electronic weighing devices.

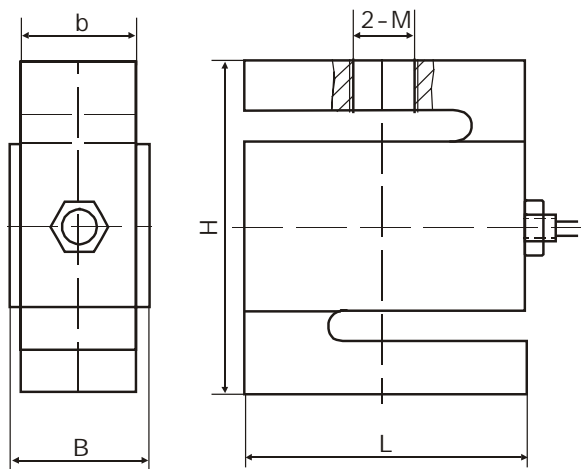
Weighing Assembly Available—See Model HL-3 series on page 79 and 80.

Specifications

Accuracy Class	C3	N5	Temperature effect on zero (%FS/10)	0.017
Rated output (mV/V)	3.0 ± 0.008		Temperature, Compensated ()	-10~+40
Combined error (%FS)	0.02		Temperature, Operating ()	-35~+65
Non-linearity (%FS)	0.017		Excitation, Recommended (V)	5~12(DC)
Non-repeatability (%FS)	0.01		Excitation, Max. (V)	18(DC)
Creep (%FS/30min)	0.02		Safe Overload (%FS)	150
Input Resistance ()	350 ± 3.5		Ultimate Overload (%FS)	300
Output Resistance ()	350 ± 3.5		Protection Class	IP 67
Insulation Resistance (M)	5000(50VDC)		Cable Length (m)	6
Zero Balance (%FS)	1.0		Cable spec	4 - wire shielded PU cable 5mm
Temperature effect on span (%FS/10)	0.014			

Connections Red Input(+) Black Input(-) Green Output(+) White Output(-) Transparence (Shield)

Outline Dimensions in mm(inches)



Capacity	Dimensions				
	L	H	b	B	M
0.1t	50.8 (2.00)	76.2 (3.00)	19.0 (0.75)	25.4 (1.00)	M10×1.5
0.25Klb	50.8 (2.00)	76.2 (3.00)	12.7 (0.50)	19.0 (0.75)	3/8-24UNF
0.25-0.75t (0.5-1.5Klb)	50.8 (2.00)	76.2 (3.00)	19.0 (0.75)	25.4 (1.00)	M12×1.75 1/2-20UNF
1-1.5t (2-3Klb)	50.8 (2.00)	76.2 (3.00)	25.4 (1.00)	31.8 (1.25)	M12×1.75 1/2-20UNF
2-5t (5-10Klb)	76.2 (3.00)	108 (4.25)	25.4 (1.00)	31.8 (1.25)	M18X1.5 3/4-16UNF
15Klb	100 (3.94)	140 (5.51)	31.8 (1.25)	38.1 (1.50)	1-14UNS
20Klb	125.5 (4.94)	177.8 (7.00)	49.3 (1.94)	50.8 (2.00)	5/4-12UNF



S-beam, alloy steel, tension or compression applications. Suitable for hanging scales, mechanical conversion scales, hopper scales and other electronic weighing devices.

Weighing Assembly Available-See Model HL-3 series on page 79 and 80.

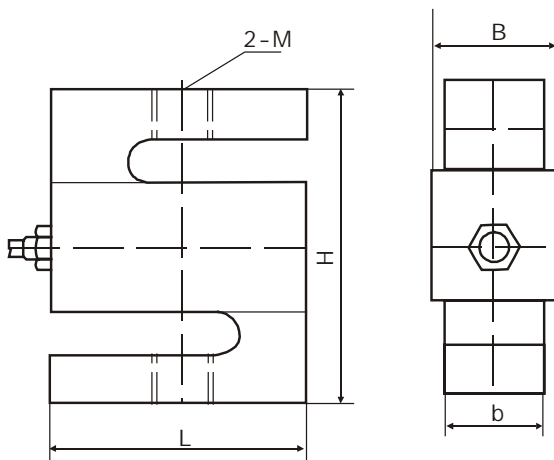
Capacity	Accuracy	Part number
50kg	C3	H3G-C3-50kg-6B
100kg	C3	H3G-C3-100kg-6B
250kg	C3	H3G-C3-250kg-6B
500kg	C3	H3G-C3-500kg-6B
1.0t	C3	H3G-C3-1.0t-6B
2.5t	C3	H3G-C3-2.5t-6B
5.0t	C3	H3G-C3-5.0t-6B
7.5t	C3	H3G-C3-7.5t-6B
50 lb	N3	H3G-N3-50-6YB
75 lb	N10	H3G-N10-75-6YB
100 lb	N10	H3G-N10-100-6YB
150 lb	N10	H3G-N10-150-6YB
200 lb	N10	H3G-N10-200-6YB
250 lb	N10	H3G-N10-250-6YB
300 lb	N10	H3G-N10-300-6YB
500 lb	N10	H3G-N10-500-6YB
750 lb	N10	H3G-N10-750-6YB
1Klb	N10	H3G-N10-1K-6YB
1.5Klb	N10	H3G-N10-1.5K-6YB
2Klb	N10	H3G-N10-2K-6YB
2.5Klb	N10	H3G-N10-2.5K-6YB
3Klb	N10	H3G-N10-3K-6YB
5Klb	N10	H3G-N10-5K-6YB
10Klb	N10	H3G-N10-10K-6YB
15Klb	N3	H3G-N3-15K-6YB
20Klb	N3	H3G-N3-20K-6YB

Specifications

Accuracy Class	C3	N10	N3	Temperature effect on zero (%FS/10)	0.017	0.02
Rated output (mV/V)	3.0 ± 0.008			Temperature, Compensated ()	-10~+40	
Combined error (%FS)	0.02	0.03		Temperature, Operating ()	-35~+65	
Non-linearity (%FS)	0.02	0.03		Excitation, Recommended (V)	5-12(DC)	
Non-repeatability (%FS)	0.01			Excitation, Max. (V)	18(DC)	
Creep (%FS/30min)	0.02	0.03		Safe Overload (%FS)	150	
Input Resistance ()	430 ± 60			Ultimate Overload (%FS)	300	
Output Resistance ()	350 ± 3.5			Protection Class	IP 67	
Insulation Resistance (M)	5000(50VDC)			Cable Length (m)	6	
Zero Balance (%FS)	1.0			Cable spec	4-wire shielded PU cable 5mm	
Temperature effect on span (%FS/10)	0.014	0.02				

Connections Red Input(+) Black Input(-) Green Output(+) White Output(-) Transparence (Shield)

Outline Dimensions in mm(inches)



Capacity	Dimensions				
	L	H	b	B	M
50kg,100kg (0.05-0.3Klb)	50.8 (2.00)	63.5 (2.50)	12.7 (0.50)	16.08 (0.63)	M8 1/4-28UNF
250kg,500kg (0.05-1.5Klb)	50.8 (2.00)	63.5 (2.50)	19.05 (0.75)	22.43 (0.88)	M12 1/2-20UNF
1t (2, 2.5Klb)	50.8 (2.00)	63.5 (2.50)	25.4 (1.00)	28.78 (1.13)	M12 1/2-20UNF
2.5t (3Klb)	76.2 (3.00)	101.6 (4.00)	25.4 (1.00)	28.78 (1.13)	M20×1.5 1/2-20UNF
5t (5,10Klb)	76.2 (3.00)	101.6 (4.00)	25.4 (1.00)	28.78 (1.13)	M20×1.5 3/4-16UNF
7.5t (15Klb)	101.6 (4.00)	139.7 (5.50)	31.75 (1.25)	35.13 (1.38)	M24×2 1-14UNF
20Klb	127 (5.00)	177.8 (7.00)	50.8 (2.00)	54.18 (2.13)	5/4-12UNF

Capacity	Accuracy	Part number
500kg	C3	BM3-C3-500kg-3B
1.0t	C3	BM3-C3-1.0t-6B
2.0t	C3	BM3-C3-2.0t-6B
3.0t	C3	BM3-C3-3.0t-6B
4.0t	C3	BM3-C3-4.0t-6B
5.0t	C3	BM3-C3-5.0t-6B
6.0t	C3	BM3-C3-6.0t-6B



17 - 4PH stainless steel, welding - sealed, tension or compression applications.
Suitable for hanging scales, hopper scales and other electronic weighing devices.

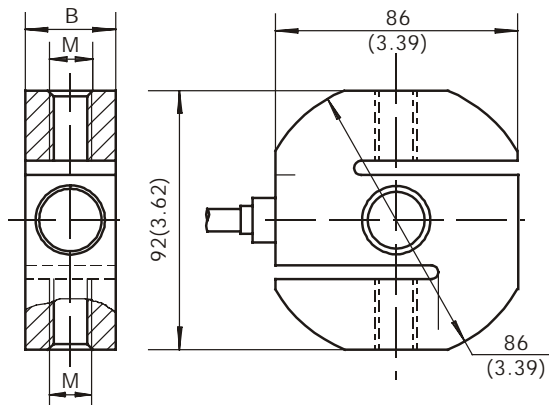
Weighing Assembly Available-See Model HL-3 series on page 79 and 80.

Specifications

Accuracy Class	C3	Temperature effect on zero (%FS/10 °C)	0.017
Rated output (mV/V)	2.0 ± 0.004	Temperature, Compensated (°C)	-10~+40
Combined error (%FS)	0.02	Temperature, Operating (°C)	-35~+65
Non-linearity (%FS)	0.017	Excitation, Recommended (V)	5-12(DC)
Non-repeatability (%FS)	0.01	Excitation, Max. (V)	18(DC)
Creep (%FS/30min)	0.02	Safe Overload (%FS)	150
Input Resistance (Ω)	350 ± 3.5	Ultimate Overload (%FS)	300
Output Resistance (Ω)	350 ± 3.5	Protection Class	IP 68
Insulation Resistance (M Ω)	5000(50VDC)	Cable Length (m)	3(500kg),6(1t-6t)
Zero Balance (%FS)	1.0	Cable spec	4-wire shielded PU cable 5mm
Temperature effect on span (%FS/10 °C)	0.014		

Connections Red Input(+) Black Input(-) Green Output(+) White Output(-) Transparence (Shield)

Outline Dimensions in mm(inches)



Capacity(kg)	500	1000	2000	3000	4000	5000	6000
B	32(1.26)	32(1.26)	32(1.26)	32(1.26)	36(1.42)	50(1.97)	50(1.97)
M	M12×1.75	M12×1.75	M20×2.5	M20×2.5	M20×2.5	M24×3	M24×3



Aluminum, tension or compression applications.
Suitable for measuring tension in weaving industry.

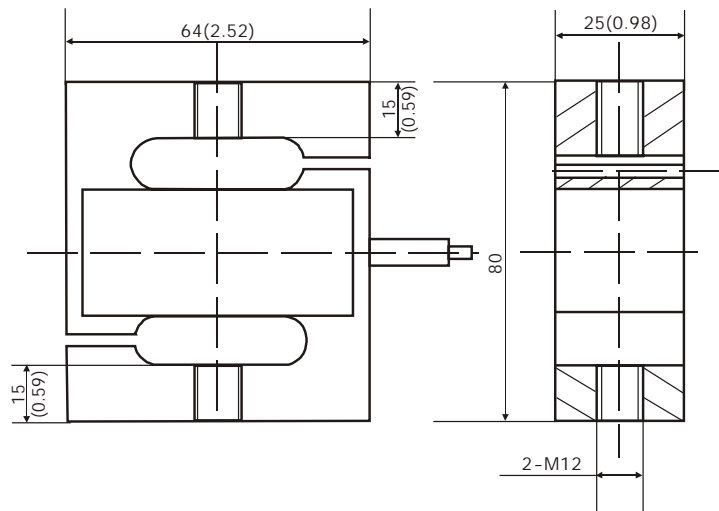
Capacity	Accuracy	Part number
200kg	C2	L3V-C2-200kg-2.6B
500kg	C2	L3V-C2-500kg-2.6B

Specifications

Accuracy Class	C2	Temperature effect on zero (%FS/10)	0.03
Rated output (mV/V)	2.3 ± 0.04	Temperature, Compensated ()	-10~+40
Combined error (%FS)	0.03	Temperature, Operating ()	-35~+65
Non-linearity (%FS)	0.03	Excitation, Recommended (V)	5~12(DC)
Non-repeatability (%FS)	0.02	Excitation, Max. (V)	18(DC)
Creep (%FS/30min)	0.03	Safe Overload (%FS)	150
Input Resistance ()	410 ± 30	Ultimate Overload (%FS)	300
Output Resistance ()	350 ± 3	Protection Class	IP 65
Insulation Resistance (M)	5000(50VDC)	Cable Length (m)	2.6
Zero Balance (%FS)	2.0	Cable spec	4-wire shielded cable 5.3mm
Temperature effect on span (%FS/10)	0.03		

Connections Red Input(+) Black Input(-) Green Output(+) White Output(-) Transparence (Shield)

Outline Dimensions in mm(inches)



Capacity	Accuracy	Part number
500kg	C3	B8D-C3-500kg-6B
1.0t	C3	B8D-C3-1.0t-6B
2.0t	C3	B8D-C3-2.0t-6B
5.0t	C3	B8D-C3-5.0t-6B
250lb	N5	B8D-N5-250-6YB
500lb	N5	B8D-N5-500-6YB
750lb	N5	B8D-N5-750-6YB
1Klb	N5	B8D-N5-1K-6YB
1.5Klb	N5	B8D-N5-1.5K-6YB
2Klb	N5	B8D-N5-2K-6YB
2.5Klb	N5	B8D-N5-2.5K-6YB
3Klb	N5	B8D-N5-3K-6YB
4Klb	N5	B8D-N5-4K-6YB
5KSE	N5	B8D-N5-5KSE-6YB
5Klb	N5	B8D-N5-5K-6YB
7.5Klb	N5	B8D-N5-7.5K-6YB
10Klb	N5	B8D-N5-10K-6YB
15Klb	N5	B8D-N5-15K-6YB
20Klb	N5	B8D-N5-20K-6YB



Specifications	
Accuracy Class	OIML R60 C3
Rated output (mV/V)	3.0 ± 0.008
Combined error (%FS)	0.02
Non-linearity (%FS)	0.02
Non-repeatability (%FS)	0.01
Creep (%FS/30min)	0.02
Input Resistance (Ω)	350 ± 3.5
Output Resistance (Ω)	350 ± 3.5
Insulation Resistance (MΩ)	5000(50VDC)
Zero Balance (%FS)	1.0
Temperature effect on span (%FS/10 °C)	0.014
Temperature effect on zero (%FS/10 °C)	0.018
Temperature, Compensated (°C)	-10 ~ +40
Temperature, Operating (°C)	-35 ~ +65
Excitation, Recommended (V)	5 ~ 12(DC)
Excitation, Max. (V)	18(DC)
Safe Overload (%FS)	150
Ultimate Overload (%FS)	300
Protection Class	IP 67
Cable Length (m)	6
Cable spec	4-wire shielded PU cable 5mm

Connections Red Input (+) Black Input(-) Green Output(+) White Output(-) Transparence (Shield)

Outline Dimensions in mm(inches)	
0.5-5t 2.5Klb~20Klb	
250lb~2Klb	
Dimensions	L L1 L2 L3 L4 H H1 W D d K M
Capacity	
0.5-2t (2.5-4k,5KSE)	130.05 (5.12) / 15.75 (0.62) 25.4 (1.00) 101.6 (4.00) 31.32 (1.23) / 31.32 (1.23) 13.46 (0.53) 13.46 (0.53) 15.75 (0.62) M12 x 1.75 1/2-20UNF
5t	171.45 (6.75) / 19.05 (0.75) 38.1 (1.50) 133.35 (5.25) 36.83 (1.45) / 36.83 (1.45) 20.65 (0.81) 20.65 (0.81) 19.05 (0.75) M20 x 2.5
250lb~2k	130.05 (5.12) 57.15 (2.25) 15.75 (0.62) 25.4 (1.00) 101.6 (4.00) 30.23 (1.19) 28.45 (1.12) 30.73 (1.21) 13.46 (0.53) 13.46 (0.53) 14.22 (0.56) 1/2-20UNF
5-15k	171.45 (6.75) / 19.05 (0.75) 38.1 (1.50) 133.35 (5.25) 36.83 (1.45) / 36.83 (1.45) 19.81 (0.78) 19.81 (0.78) 19.05 (0.75) 3/4-16UNF
20k	222.25 (8.75) / 25.4 (1.00) 50.8 (2.00) 171.45 (6.75) 49.53 (1.95) / 49.53 (1.95) 26.92 (1.06) 27.56 (1.09) 24.75 (0.97) 1-12UNF



17 - 4PH stainless steel, welding - sealed.
 Suitable for floor scales, vehicle-test line, hopper scales and other electronic weighing devices.
 Weighing Assembly Available-See the details on page 81, 82, 84, 85, 86, 88 and 89.

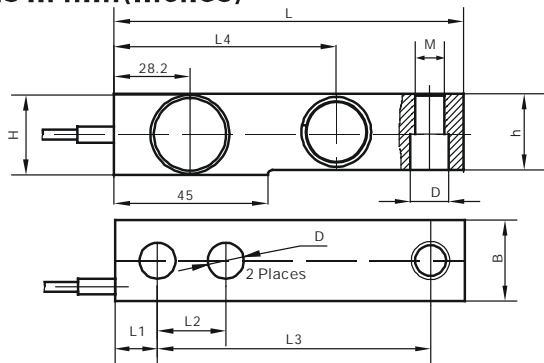
Capacity	Accuracy	Part number
500kg	C3	BM8D-C3-500kg-6B
1t	C3	BM8D-C3-1t-6B
2t	C3	BM8D-C3-2t-6B
2.5t	C3	BM8D-C3-2.5t-6B
3t	C3	BM8D-C3-3t-6B
5t	C3	BM8D-C3-5t-6B
7.5t	C3	BM8D-C3-7.5t-6B
10t	C3	BM8D-C3-10t-6B
1K	N5	BM8D-N5-1K-6B
1.5K	N5	BM8D-N5-1.5K-6B
2K	N5	BM8D-N5-2K-6B
2.5K	N5	BM8D-N5-2.5K-6B
7.5K	N5	BM8D-N5-7.5K-6B
10K	N5	BM8D-N5-10K-6B
15K	N5	BM8D-N5-15K-6B
20K	N5	BM8D-N5-20K-6B
2.5KLE	N5	BM8D-N5-2.5KLE-6B
5KSE	N5	BM8D-N5-5KSE-6B

Specifications

Accuracy Class	C3	N5	Temperature effect on zero (%FS/10 °C)	0.018
Rated output (mV/V)	3 ± 0.008		Temperature, Compensated (°C)	-10~+40
Combined error (%FS)	0.02		Temperature, Operating (°C)	-35~+65
Non-linearity (%FS)	0.02		Excitation, Recommended (V)	5-12(DC)
Non-repeatability (%FS)	0.01		Excitation, Max.(V)	18(DC)
Creep (%FS/30min)	0.02		Safe Overload (%FS)	150
Input Resistance (Ω)	350 ± 3.5		Ultimate Overload (%FS)	300
Output Resistance (Ω)	350 ± 3.5		Protection Class	IP 68
Insulation Resistance (M Ω)	5000(50VDC)		Cable Length (m)	6
Zero Balance (%FS)	1.0		Cable spec	4-wire shielded PU cable
Temperature effect on span (%FS/10 °C)	0.014			

Connections Red Input(+) Black Input(-) Green Output(+) White Output(-) Transparence (Shield)

Outline Dimensions in mm(inches)



Capacity	B	D	H	h	L	L1	L2	L3	L4	L5	M
1K	30.7 (1.21)	13.4 (0.53)	30.2 (1.19)	24.76(0.98)					82.4 (3.25)		1/2-20UNF
1.5K, 2K				26(1.02)							
2.5K				27(1.06)	130 (5.12)	15.7 (0.62)	25.4 (1.00)	101.6 (4.00)		57.1 (2.25)	
3K-5KSE				27.95(1.1)					79.5 (3.13)		M12x1.75
0.5t	30.7 (1.21)	13.4 (0.53)	31.3 (1.23)	24.76(0.98)							
1t				26(1.02)							
1.5t-2t				27.95(1.1)							
2.5KIE				27(1.06)	171.1 (6.75)	19 (0.75)	38.1 (1.50)	133.3 (5.25)	111.1 (4.37)	171.1 (6.38)	3/4-16UNF
5K-15K	30.7 (1.21)	19.8 (0.78)	36.8 (1.45)	31.95(1.26)							M20x2.5
2.5t-5t		20.5(0.81)									M24x2
20K	49.5 (1.95)	26.9 (1.06)	49.5 (1.95)	40(1.57)	222.2 (8.75)	25.4 (1.00)	50.8 (2.00)	171.5 (6.75)	144 (5.75)	102 (4.02)	1/2-20UNF
7.5t-10t											

Capacity	Accuracy	Part number
500kg	C3	BM8H-C3-500kg-3B
1.0t	C3	BM8H-C3-1.0t-3B
2.0t	C3	BM8H-C3-2.0t-6B
5.0t	C3	BM8H-C3-5.0t-6B
500kg	C3	BM8H-C3-500kg-3B-A1
1.0t	C3	BM8H-C3-1.0t-3B-A1
2.0t	C3	BM8H-C3-2.0t-6B-A1
5.0t	C3	BM8H-C3-5.0t-6B-A1
1Klb	N10	BM8H-N10-1K-3B
2.5Klb	N10	BM8H-N10-2.5K-3B
4Klb	N10	BM8H-N10-4K-6B
5Klb	N10	BM8H-N10-5K-6B
10Klb	N10	BM8H-N10-10K-6B
1Klb	N10	BM8H-N10-1K-3B-A1
2.5Klb	N10	BM8H-N10-2.5K-3B-A1
4Klb	N10	BM8H-N10-4K-6B-A1
5Klb	N10	BM8H-N10-5K-6B-A1
10Klb	N10	BM8H-N10-10K-6B-A1



17 - 4PH stainless steel with high reliability.
Suitable for platform scales, track scales, hopper scales and other electronic weighing devices.

Weighing Assembly Available—See the details on page 83 and 90.

A1 - Current output, Resistance 1000

Specifications		
Accuracy Class	OIML R60 C3	NTEP , L
Rated output (mV/V)	2.0 ± 0.02	
Combined error (%FS)	0.02	
Non-linearity (%FS)	0.02	
Non-repeatability (%FS)	0.01	
Creep (%FS/30min)	0.02	
Input Resistance ()	1000 ± 10	350 ± 3.5
Output Resistance ()	1000 ± 10	350 ± 3.5
Insulation Resistance (M)	≥ 5000(50VDC)	
Zero Balance (%FS)	≤ 1.0	
Temperature effect on zero (%FS/10)	0.014	
Temperature effect on span (%FS/10)	0.018	
Temperature, Compensated ()	- 10~ + 40	
Temperature, Operating ()	- 35~ + 65	
Excitation, Recommended (V)	5-12(DC)	
Excitation, Max. (V)	18(DC)	
Safe Overload (%FS)	150	
Ultimate Overload (%FS)	300	
Protection Class	IP 68	
Cable Length (m)	6(2t-5t,4Klb-10Klb)	3(500kg-1t,1Klb-2.5Klb)

Connections Red Input(+) Black Input(-) Green Output(+) White Output(-) Transparence (Shield)

Outline Dimensions in mm(inches)				
Dimensions	500kg (1Klb)	750kg,1.0t (2.5Klb)	1.5t,2.0t (4Klb) (5Klb)	5.0t (10Klb)
A	130.0 (5.12)	130.0 (5.12)	130.0 (5.12)	172.0 (6.77)
B	15.5 (0.61)	15.5 (0.61)	15.5 (0.61)	19.1 (0.75)
C	25.4 (1.00)	25.4 (1.00)	25.4 (1.00)	38.1 (1.50)
D	76.2 (3.00)	76.2 (3.00)	76.2 (3.00)	95.3 (3.75)
E	31.8 (1.25)	31.8 (1.25)	31.8 (1.25)	38.0 (1.50)
F	13 (0.51)	13 (0.51)	13 (0.51)	20.5 (0.81)
G	20.5 (0.81)	20.5 (0.81)	20.5 (0.81)	30.2 (1.19)
H	14.2 (0.56)	14.2 (0.56)	14.2 (0.56)	20.0 (0.79)
J	26.0 (1.02)	27.95 (1.10)	31.95 (1.26)	40 (1.57)
K	31.8 (1.25)	31.8 (1.25)	35.9 (1.41)	44 (1.73)
L	57.1 (2.24)	57.1 (2.24)	57.1 (2.24)	76.2 (3.00)
M	M12 1/2-20UNF	M12 1/2-20UNF	M12 3/4-16UNF	M20 3/4-16UNF

Single shear beam



Alloy steel, nickel - plated, adhesive - sealed.
Suitable for vehicle scales, track scales, hopper scales and other electronic weighing devices.

Weighing Assembly Available - See model HY-8-101 or HM-8-401 on page 84 and 87.

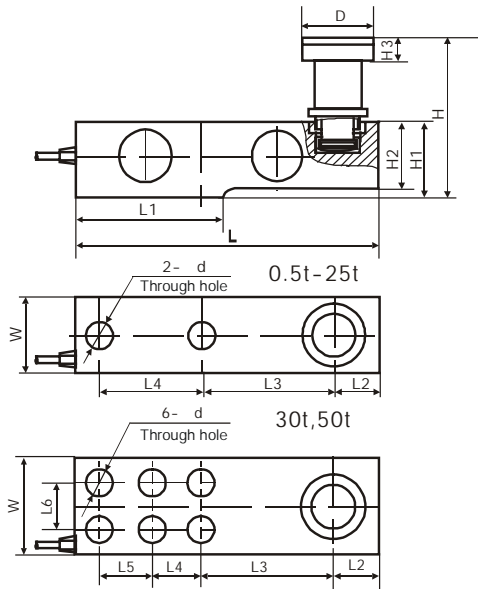
Capacity	Accuracy	Part number
500kg	C3	H8-C3-500kg-4B6
1.0t	C3	H8-C3-1.0t-4B6
2.0t	C3	H8-C3-2.0t-4B6
2.5t	C3	H8-C3-2.5t-4B6
3.0t	C3	H8-C3-3.0t-4B6
5.0t	C3	H8-C3-5.0t-7B6
10t	C3	H8-C3-10t-12B6
15t	C3	H8-C3-15t-12B6
20t	C3	H8-C3-20t-12B6
25t	C3	H8-C3-25t-12B6
30t	C3	H8-C3-30t-12B6
50t	C3	H8-C3-50t-12B6

Specifications

Accuracy Class	OIML R60 C3	Temperature effect on zero (%FS/10)	0.018
Rated output (mV/V)	2.0±0.002	Temperature, Compensated ()	-10~+40
Combined error (%FS)	0.02	Temperature, Operating ()	-35~+65
Non-linearity (%FS)	0.02	Excitation, Recommended (V)	5~12(DC)
Non-repeatability (%FS)	0.01	Excitation, Max. (V)	18(DC)
Creep (%FS/30min)	0.02	Safe Overload (%FS)	150
Input Resistance ()	350±3.5	Ultimate Overload (%FS)	300
Output Resistance ()	350±3.5	Protection Class	IP 67
Insulation Resistance (M)	5000(50VDC)	Cable Length (m)	4(0.5-3t) , 7(5t) , 12(10-50t)
Zero Balance (%FS)	1.5	Cable spec	6-wire shielded cable 6.2mm
Temperature effect on span (%FS/10)	0.014	Remark	Equipped with special load button

Connections Red Input(+) Yellow Input(-) Blue Output(+) White Output(-)
Brown Sense(+) Black Sense(-) Transparence (Shield)

Outline Dimensions in mm(inches)



Capacity	H1	H2	H3	H	D	d	W	L	L1	L2	L3	L4	L5	L6
0.5t-2t	43 (1.69)	37 (1.47)	5 (0.20)	57.9 (2.28)	35 (1.38)	13 (0.51)	37 (1.47)	203 (7.99)	95 (3.74)	22 (0.87)	98 (3.86)	64 (2.52)	/	/
2.5t	43 (1.69)	37 (1.47)	5 (0.20)	57.9 (2.28)	35 (1.38)	15 (0.59)	37 (1.47)	203 (7.99)	95 (3.74)	22 (0.87)	98 (3.86)	64 (2.52)	/	/
3t	43 (1.69)	37 (1.47)	5 (0.20)	62.9 (2.48)	35 (1.38)	15 (0.59)	37 (1.47)	203 (7.997)	95 (3.74)	22 (0.87)	98 (3.86)	64 (2.52)	/	/
5t	52 (2.05)	48 (1.89)	8 (0.31)	78.7 (3.10)	42 (1.65)	21 (0.83)	48 (1.89)	235 (9.25)	110 (4.33)	22 (0.87)	124 (4.88)	66 (2.60)	/	/
10t, 15t	67 (2.64)	60 (2.36)	12 (0.47)	127.7 (5.03)	57 (2.24)	28 (1.10)	60 (2.36)	279 (10.98)	133 (5.24)	32 (1.26)	140 (5.51)	82 (3.23)	/	/
20t, 25t	82.5 (3.25)	70 (2.76)	12 (0.47)	143.5 (5.65)	70 (2.76)	34 (1.34)	70 (2.76)	318 (12.52)	153 (6.02)	38 (1.50)	159 (6.26)	89 (3.50)	/	/
30t	115 (4.53)	90 (3.54)	18 (0.71)	174 (6.85)	70 (2.76)	26 (1.02)	96 (3.78)	374 (14.72)	189 (7.44)	44.5 (1.75)	181 (7.13)	76 (2.99)	51 (2.01)	46 (1.81)
50t	143 (5.63)	100 (3.94)	28 (1.10)	213 (8.39)	85 (3.35)	29 (1.14)	105 (4.13)	416 (16.38)	210 (8.27)	48 (1.89)	196 (7.72)	92 (3.62)	56 (2.20)	52 (2.05)

Capacity	Accuracy	Part number
500kg	C3	HM8-C3-500kg-6.5B6
1.0t	C3	HM8-C3-1.0t-6.5B6
2.0t	C3	HM8-C3-2.0t-6.5B6
2.5t	C3	HM8-C3-2.5t-6.5B6
3.0t	C3	HM8-C3-3.0t-6.5B6
5.0t	C3	HM8-C3-5.0t-6.5B6
10t	C3	HM8-C3-10t-6.5B6
15t	C3	HM8-C3-15t-6.5B6
20t	C3	HM8-C3-20t-6.5B6
25t	C3	HM8-C3-25t-6.5B6
30t	C3	HM8-C3-30t-6.5B6
50t	C3	HM8-C3-50t-6.5B6



Alloy steel, nickel - plated, welding - sealed.
Suitable for vehicle scales, track scales, hopper scales and other electronic weighing devices.

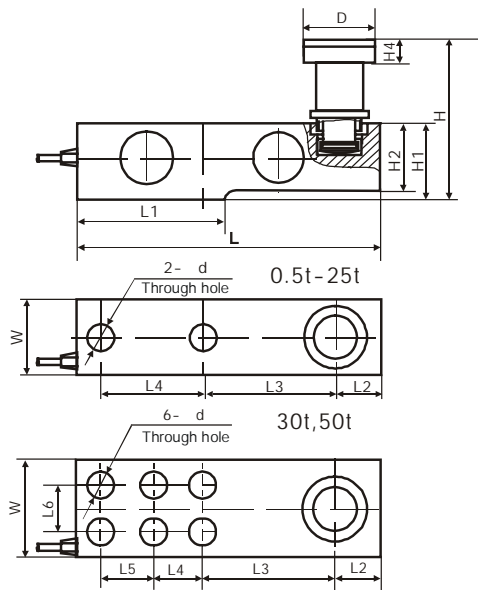
Weighing Assembly Available - See model HY-8-101 or HM-8-401 on page 84 and 87.

Specifications

Accuracy Class	C3	Temperature effect on zero (%FS/10)	0.018
Rated output (mV/V)	2.0 ± 0.002	Temperature, Compensated ()	-10~+40
Combined error (%FS)	0.02	Temperature, Operating ()	-35~+65
Non-linearity (%FS)	0.02	Excitation, Recommended (V)	5~12(DC)
Non-repeatability (%FS)	0.01	Excitation, Max. (V)	18(DC)
Creep (%FS/30min)	0.02	Safe Overload (%FS)	150
Input Resistance ()	350 ± 3.5	Ultimate Overload (%FS)	300
Output Resistance ()	350 ± 3.5	Protection Class	IP 68
Insulation Resistance (M)	5000(50VDC)	Cable Length (m)	6.5
Zero Balance (%FS)	1.5	Cable spec	6-wire shielded cable 6.2mm
Temperature effect on span (%FS/10)	0.014	Remark	Equipped with special load button

Connections Red Input(+) Yellow Input(-) Blue Output(+) White Output(-)
Brown Sense(+) Black Sense(-) Transparence (Shield)

Outline Dimensions in mm(inches)



Capacity	H1	H2	H3	H	D	d	W	L	L1	L2	L3	L4	L5	L6
0.5t~2t	43 (1.69)	37 (1.47)	5 (0.20)	57.9 (2.28)	35 (1.38)	13 (0.51)	37 (1.47)	203 (7.99)	95 (3.74)	22 (0.87)	98 (3.86)	64 (2.52)	/	/
2.5t	43 (1.69)	37 (1.47)	5 (0.20)	57.9 (2.28)	35 (1.38)	15 (0.59)	37 (1.47)	203 (7.99)	95 (3.74)	22 (0.87)	98 (3.86)	64 (2.52)	/	/
3t	43 (1.69)	37 (1.47)	5 (0.20)	62.9 (2.48)	35 (1.38)	15 (0.59)	37 (1.47)	203 (7.997)	95 (3.74)	22 (0.87)	98 (3.86)	64 (2.52)	/	/
5t	52 (2.05)	48 (1.89)	8 (0.31)	78.7 (3.10)	42 (1.65)	21 (0.83)	48 (1.89)	235 (9.25)	110 (4.33)	22 (0.87)	124 (4.88)	66 (2.60)	/	/
10t, 15t	67 (2.64)	60 (2.36)	12 (0.47)	127.7 (5.03)	57 (2.24)	28 (1.10)	60 (2.36)	279 (10.98)	133 (5.24)	32 (1.26)	140 (5.51)	82 (3.23)	/	/
20t, 25t	82.5 (3.25)	70 (2.76)	12 (0.47)	143.5 (5.65)	70 (2.76)	34 (1.34)	70 (2.76)	318 (12.52)	153 (6.02)	38 (1.50)	159 (6.26)	89 (3.50)	/	/
30t	115 (4.53)	90 (3.54)	18 (0.71)	174 (6.85)	70 (2.76)	26 (1.02)	96 (3.78)	374 (14.72)	189 (7.44)	44.5 (1.75)	181 (7.13)	76 (2.99)	51 (2.01)	46 (1.81)
50t	143 (5.63)	100 (3.94)	28 (1.10)	213 (8.39)	85 (3.35)	29 (1.14)	105 (4.13)	416 (16.38)	210 (8.27)	48 (1.89)	196 (7.72)	92 (3.62)	56 (2.20)	52 (2.05)



Alloy steel, nickel - plated, adhesive - sealed with steel ball to bear the weight.
 Suitable for platform scales, track scales, hopper scales and other electronic weighing devices.

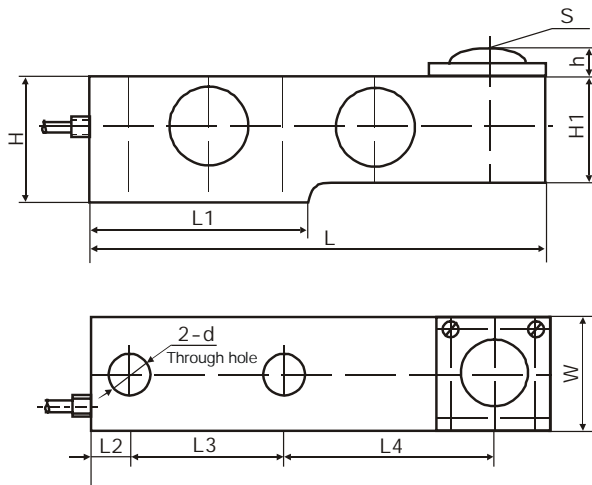
Capacity	Accuracy	Part number
500kg	C3	H8B-C3-500kg-3.5B6
1.0t	C3	H8B-C3-1.0t-3.5B6
2.0t	C3	H8B-C3-2.0t-3.5B6
2.5t	C3	H8B-C3-2.5t-3.5B6
3.0t	C3	H8B-C3-3.0t-3.5B6
4.0t	C3	H8B-C3-4.0t-3.5B6
5.0t	C3	H8B-C3-5.0t-3.5B6
8.0t	C3	H8B-C3-8.0t-3.5B6
10t	C3	H8B-C3-10t-3.5B6

Specifications

Accuracy Class	C3	Temperature effect on zero (%FS/10)	0.018
Rated output (mV/V)	2.0±0.004	Temperature, Compensated ()	-10~+40
Combined error (%FS)	0.02	Temperature, Operating ()	-35~+65
Non-linearity (%FS)	0.02	Excitation, Recommended (V)	5~12(DC)
Non-repeatability (%FS)	0.01	Excitation, Max. (V)	18(DC)
Creep (%FS/30min)	0.02	Safe Overload (%FS)	150
Input Resistance ()	350±3.5	Ultimate Overload (%FS)	300
Output Resistance ()	350±3.5	Protection Class	IP 67
Insulation Resistance (M)	5000(50VDC)	Cable Length (m)	3.5
Zero Balance (%FS)	1.5	Cable spec	6-wire shielded cable 6.2mm
Temperature effect on span (%FS/10)	0.014		

Connections Red Input(+) Yellow Input(-) Blue Output(+) White Output(-)
 Brown Sense(+) Black Sense(-) Transparence (Shield)

Outline Dimensions in mm(inches)



Dimensions Capacity(t)	L	L1	L2	L3	L4	H	H1	d	W	h	S
0.5-2.5	203 (7.99)	102 (4.02)	19 (0.75)	63.5 (2.50)	98 (3.86)	43 (1.69)	37 (1.46)	13 (0.51)	37 (1.46)	15.4 (0.61)	1"
3, 4	203 (7.99)	102 (4.02)	19 (0.75)	63.5 (2.5)	98 (3.86)	52 (2.05)	44 (1.73)	17 (0.67)	40 (1.57)	15.4 (0.61)	
5	235 (9.25)	118 (4.65)	21 (0.83)	66.5 (2.62)	124 (4.88)	52 (2.05)	48 (1.89)	21 (0.83)	48 (1.89)	18.16 (0.71)	19/16"
8	235 (9.25)	118 (4.65)	22 (0.87)	74 (2.91)	114 (4.49)	52 (2.05)	48 (1.89)	21 (0.83)	48 (1.89)	18.16 (0.71)	
10	279 (10.98)	140 (5.51)	25 (0.98)	83 (3.27)	140 (5.51)	82.6 (3.25)	60 (2.36)	27.5 (1.08)	60 (2.36)	28.4 (1.12)	2"

Capacity	Accuracy	Part number
500kg	C3	H8C-C3-500kg-4B
1.0t	C3	H8C-C3-1.0t-4B
1.5t	C3	H8C-C3-1.5t-4B
2.0t	C3	H8C-C3-2.0t-4B
2.5t	C3	H8C-C3-2.5t-6B
3.0t	C3	H8C-C3-3.0t-6B
5.0t	C3	H8C-C3-5.0t-6B
10t	C3	H8C-C3-10t-6B
1Klb	N5	H8C-N5-1.0K-6YB
1.5Klb	N5	H8C-N5-1.5K-6YB
2Klb	N5	H8C-N5-2.0K-6YB
2.5Klb	N5	H8C-N5-2.5K-6YB
3Klb	N5	H8C-N5-3.0K-6YB
4Klb	N5	H8C-N5-4.0K-6YB
5KSE	N5	H8C-N5-5KSE-6YB
5Klb	N5	H8C-N5-5.0K-6YB
7.5Klb	N5	H8C-N5-7.5K-6YB
10Klb	N5	H8C-N5-10K-6YB
20Klb	N5	H8C-N5-20K-6YB



Specifications	
Accuracy Class	OIML R60 C3 NTEP , L
Rated output (mV/V)	3.0±0.003
Combined error (%FS)	0.02
Non-linearity (%FS)	0.02
Non-repeatability (%FS)	0.01
Creep (%FS/30min)	0.02
Input Resistance ()	350±3.5
Output Resistance ()	350±3.5
Insulation Resistance (M)	5000(50VDC)
Zero Balance (%FS)	1.0
Temperature effect on span (%FS/10)	0.014
Temperature effect on zero (%FS/10)	0.018
Temperature, Compensated ()	-10~+40
Temperature, Operating ()	-35~+65
Excitation, Recommended (V)	5~12(DC)
Excitation, Max.(V)	18(DC)
Safe Overload (%FS)	150
Ultimate Overload (%FS)	300
Protection Class	IP 67
Cable Length (m)	4(0.5-2t), 6 (2.5-10t), 6 (1-20K)
Cable spec	4-wire shielded PU cable 5mm

Connections Red Input(+) Black Input(-) Green Output(+) White Output(-) Transparence (Shield)

Outline Dimensions in mm(inches)																																									
	<table border="1"> <thead> <tr> <th>Dimensions / Capacity</th> <th>L</th> <th>L1</th> <th>L2</th> <th>L3</th> <th>H</th> <th>B</th> <th>B1</th> <th>d1</th> <th>M</th> </tr> </thead> <tbody> <tr> <td>0.5-2t (1-4K, 5KSE)</td> <td>130 (5.12)</td> <td>15.8 (0.62)</td> <td>25.4 (1.00)</td> <td>76.2 (3.00)</td> <td>31.8 (1.25)</td> <td>31.8 (1.25)</td> <td>34 (1.34)</td> <td>13.5 (0.53)</td> <td>M12×1.75 1/2-20UNF</td> </tr> <tr> <td>2.5-5t (5-10K)</td> <td>171.5 (6.75)</td> <td>19.1 (0.75)</td> <td>38.1 (1.50)</td> <td>95.3 (3.75)</td> <td>38.1 (1.50)</td> <td>38.1 (1.50)</td> <td>40 (1.57)</td> <td>19.8 (0.78)</td> <td>M18×1.5 3/4-16UNF</td> </tr> <tr> <td>10t (20K)</td> <td>222.3 (8.75)</td> <td>25.4 (1.00)</td> <td>50.8 (2.00)</td> <td>120.7 (4.75)</td> <td>50.8 (2.00)</td> <td>50.8 (2.00)</td> <td>52.4 (2.06)</td> <td>26.92 (1.06)</td> <td>M24×2 1-12UNF</td> </tr> </tbody> </table>	Dimensions / Capacity	L	L1	L2	L3	H	B	B1	d1	M	0.5-2t (1-4K, 5KSE)	130 (5.12)	15.8 (0.62)	25.4 (1.00)	76.2 (3.00)	31.8 (1.25)	31.8 (1.25)	34 (1.34)	13.5 (0.53)	M12×1.75 1/2-20UNF	2.5-5t (5-10K)	171.5 (6.75)	19.1 (0.75)	38.1 (1.50)	95.3 (3.75)	38.1 (1.50)	38.1 (1.50)	40 (1.57)	19.8 (0.78)	M18×1.5 3/4-16UNF	10t (20K)	222.3 (8.75)	25.4 (1.00)	50.8 (2.00)	120.7 (4.75)	50.8 (2.00)	50.8 (2.00)	52.4 (2.06)	26.92 (1.06)	M24×2 1-12UNF
	Dimensions / Capacity	L	L1	L2	L3	H	B	B1	d1	M																															
0.5-2t (1-4K, 5KSE)	130 (5.12)	15.8 (0.62)	25.4 (1.00)	76.2 (3.00)	31.8 (1.25)	31.8 (1.25)	34 (1.34)	13.5 (0.53)	M12×1.75 1/2-20UNF																																
2.5-5t (5-10K)	171.5 (6.75)	19.1 (0.75)	38.1 (1.50)	95.3 (3.75)	38.1 (1.50)	38.1 (1.50)	40 (1.57)	19.8 (0.78)	M18×1.5 3/4-16UNF																																
10t (20K)	222.3 (8.75)	25.4 (1.00)	50.8 (2.00)	120.7 (4.75)	50.8 (2.00)	50.8 (2.00)	52.4 (2.06)	26.92 (1.06)	M24×2 1-12UNF																																



Alloy steel, nickel - plated, welding - sealed.
Suitable for floor scales, hopper scales and other electronic weighing devices.

Weighing Assembly Available - See the details on page 81, 82, 84, 85, 86, 88 and 89.

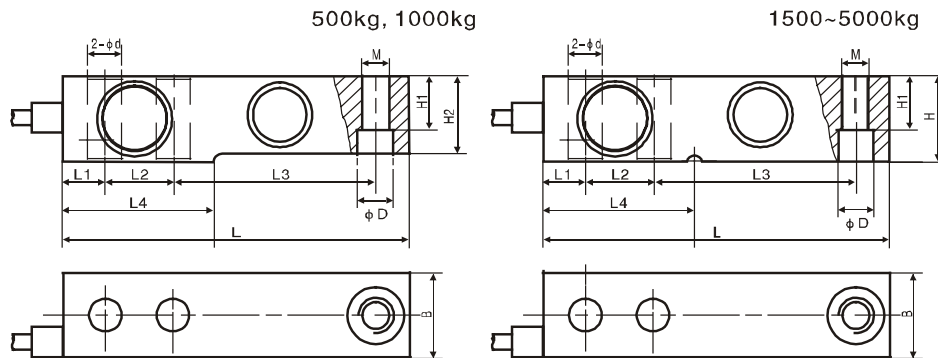
Capacity	Accuracy	Part number
0.5t	C3	HM8C-C3-0.5t-4B
1.0t	C3	HM8C-C3-1.0t-4B
1.5t	C3	HM8C-C3-1.5t-4B
2.0t	C3	HM8C-C3-2.0t-4B
3.0t	C3	HM8C-C3-3.0t-4B
5.0t	C3	HM8C-C3-5.0t-4B
10t	C3	HM8C-C3-10t-4B

Specifications

Accuracy Class	C3	Temperature effect on zero (%FS/10)	0.02
Rated output (mV/V)	2.0±0.004	Temperature, Compensated ()	-10-+40
Combined error (%FS)	0.02	Temperature, Operating ()	-35-+65
Non-linearity (%FS)	0.02	Excitation, Recommended (V)	5-12(DC)
Non-repeatability (%FS)	0.01	Excitation, Max. (V)	18(DC)
Creep (%FS/30min)	0.02	Safe Overload (%FS)	120
Input Resistance ()	350±3.5	Ultimate Overload (%FS)	150
Output Resistance ()	350±3.5	Protection Class	IP 68
Insulation Resistance (M)	5000(50VDC)	Cable Length (m)	4(0.5-2t), 6(3-10t)
Zero Balance (%FS)	1.0	Cable spec	4- wire shielded PU cable
Temperature effect on span (%FS/10)	0.02		

Connections Red Input(+) Black Input(-) Green Output(+) White Output(-) Transparence (Shield)

Outline Dimensions in mm(inches)



Capacity(t)	L	L1	L2	L3	H	B	D	M	L4	H1	H2
0.5	130 (5.12)	15.8 (0.62)	25.4 (1.00)	76.2 (3.00)	31.8 (1.25)	31.8 (1.25)	13.5 (0.53)	M12X1.75	53.7 (2.11)	15.8 (0.62)	26 (1.02)
1.0	130 (5.12)	15.8 (0.62)	25.4 (1.00)	76.2 (3.00)	31.8 (1.25)	31.8 (1.25)	13.5 (0.53)	M12X1.75	53.7 (2.11)	15.8 (0.62)	28 (1.10)
1.5-2	130 (5.12)	15.8 (0.62)	25.4 (1.00)	76.2 (3.00)	31.8 (1.25)	31.8 (1.25)	13.5 (0.53)	M12X1.75	54.2 (2.11)	15.8 (0.62)	/
3-5	171.5 (6.75)	19.1 (0.75)	38.1 (1.50)	95.3 (3.75)	38.1 (1.50)	38.1 (1.50)	19.8 (0.78)	M18X1.5	77.2 (3.04)	18.8 (0.74)	/
10	223 (8.75)	25.4 (1.00)	50.8 (2.00)	120.7 (4.75)	50.8 (2.00)	50.8 (2.00)	26 (1.02)	M24X2	101.6 (4.00)	25.4 (1.00)	/

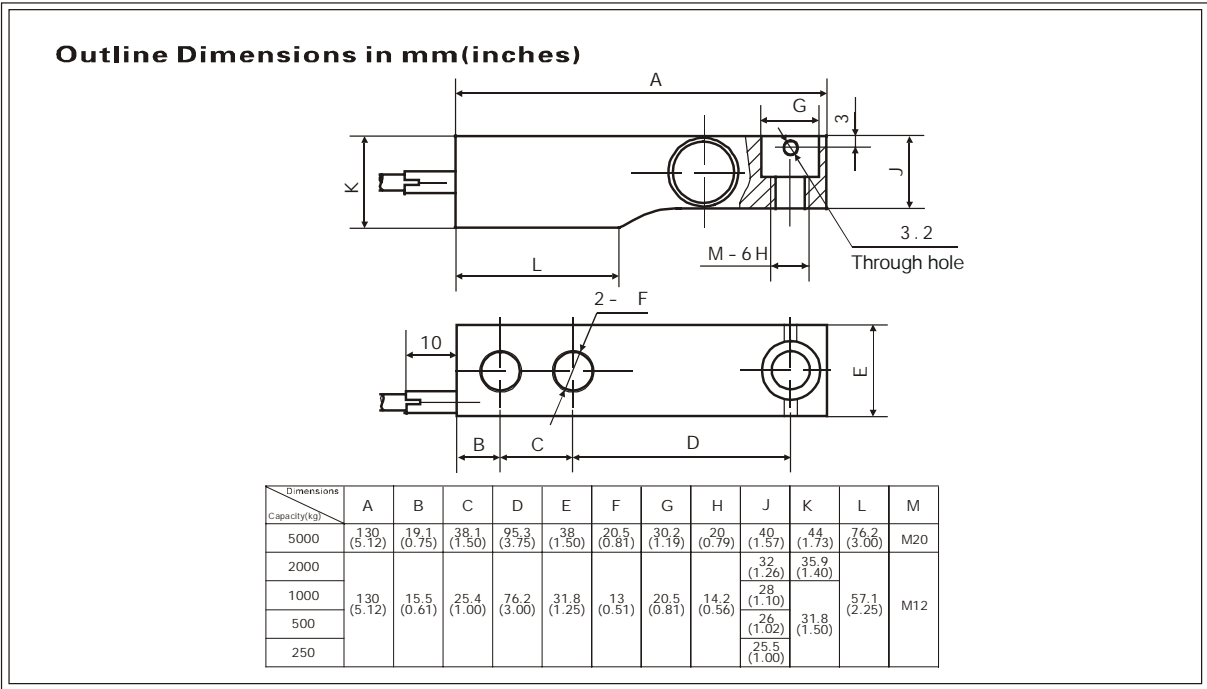
Capacity	Accuracy	Part number
250kg	C3	H8H-C3-350kg-4B
500kg	C3	H8H-C3-500kg-4B
1.0t	C3	H8H-C3-1.0t-4B
2.0t	C3	H8H-C3-2.0t-4B
5.0t	C3	H8H-C3-5.0t-4B
250kg	C3	H8H-C3-350kg-4B-R1
500kg	C3	H8H-C3-500kg-4B-R1
1.0t	C3	H8H-C3-1.0t-4B-R1
2.0t	C3	H8H-C3-2.0t-4B-R1
5.0t	C3	H8H-C3-5.0t-4B-R1

R1-Resistance1000



Specifications				
Accuracy Class	C3		Temperature effect on zero (%FS/10)	0.02
Rated output (mV/V)	3.0±0.003		Temperature, Compensated ()	-10~+40
Combined error (%FS)	0.02		Temperature, Operating ()	-35~+65
Non-linearity (%FS)	0.02		Excitation, Recommended (V)	5~12(DC)
Non-repeatability (%FS)	0.01		Excitation, Max.(V)	18(DC)
Creep (%FS/30min)	0.02		Safe Overload (%FS)	150
Input Resistance ()	1000 ± 10	350 ± 3.5	Ultimate Overload (%FS)	300
Output Resistance ()	1000 ± 10	350 ± 3.5	Protection Class	IP 67
Insulation Resistance (M)	5000(50VDC)		Cable Length (m)	4
Zero Balance (%FS)	1.0		Cable spec	4 - wire shielded PU cable 5mm
Temperature effect on span (%FS/10)	0.015			

Connections Green Input(+) Black Input(-) Red Output(+) White Output(-) Transparence (Shield)





Stainless steel, adhesive - sealed.
Suitable for platform scales, track scale and other electronic weighing devices.

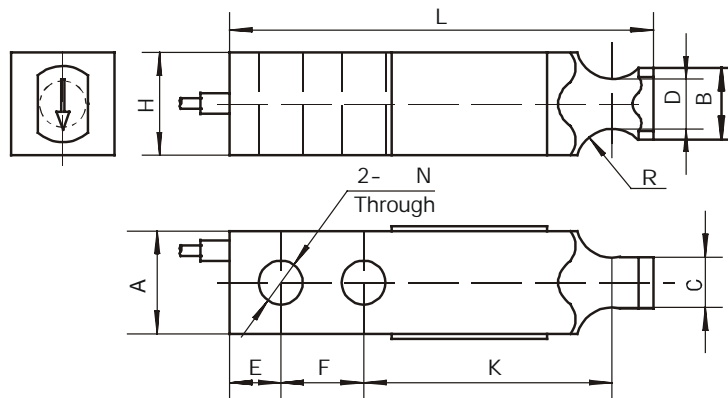
Capacity	Accuracy	Part number
1K	N5	B8K-N5-1K-6B
1.5K	N5	B8K-N5-1.5K-6B
2.5K	N5	B8K-N5-2.5K-6B
4K	N5	B8K-N5-4K-6B
5K	N5	B8K-N5-5KSE-6B
5K	N5	B8K-N5-5K-6B
7.5K	N5	B8K-N5-7.5K-6B
10K	N5	B8K-N5-10K-6B
15K	N5	B8K-N5-15K-6B
20K	N5	B8K-N5-20K-6B

Specifications

Accuracy Class	N5	Temperature effect on zero (%FS/10)	0.018
Rated output (mV/V)	3.0±0.008	Temperature, Compensated ()	-10~+40
Combined error (%FS)	0.02	Temperature, Operating ()	-35~+65
Non-linearity (%FS)	0.02	Excitation, Recommended (V)	5~12(DC)
Non-repeatability (%FS)	0.01	Excitation, Max. (V)	18(DC)
Creep (%FS/30min)	0.02	Safe Overload (%FS)	120
Input Resistance ()	350±3.5	Ultimate Overload (%FS)	150
Output Resistance ()	350±3.5	Protection Class	IP 67
Insulation Resistance (M)	5000(50VDC)	Cable Length (m)	6
Zero Balance (%FS)	1.0	Cable spec	4-wire shielded PU cable
Temperature effect on span (%FS/10)	0.014		

Connections Red Input(+) Black Input(-) Green Output(+) White Output(-) Transparence (Shield)

Outline Dimensions in mm(inches) 500kg, 1000kg



Dimensions Capacity	A	B	C	D	E	F	H	L	R	K	N
1K-5KSE	31.3 (1.23)	19.05 (0.75)	15.24 (0.60)	15.24 (0.60)	15.75 (0.62)	25.4 (1.00)	31.32 (1.23)	130 (5.12)	12.7 (0.50)	76.2 (3.00)	13.46 (0.53)
5K-15K	36.83 (1.45)	31.75 (1.25)	25.4 (1.00)	17.47 (0.69)	19.05 (0.75)	38.1 (1.50)	36.83 (1.45)	171.5 (6.75)	17.48 (0.69)	95.25 (3.75)	19.81 (0.78)
20K	49.53 (1.95)	44.45 (1.75)	33.02 (1.30)	25.4 (1.00)	25.4 (1.00)	50.8 (2.00)	49.53 (1.95)	222.25 (8.75)	24.13 (0.95)	120.65 (4.75)	26.92 (1.06)

Capacity	Accuracy	Part number
1K	N5	H8K-N5-1K-6B
1.5K	N5	H8K-N5-1.5K-6B
2K	N5	H8K-N5-2K-6B
2.5K	N5	H8K-N5-2.5K-6B
3K	N5	H8K-N5-3K-6B
4K	N5	H8K-N5-4K-6B
5K	N5	H8K-N5-5K-6B
7.5K	N5	H8K-N5-7.5K-6B
10K	N5	H8K-N5-10K-6B



Alloy steel, adhesive - sealed.
Suitable for platform scales, track scale and other electronic weighing devices.

Specifications	
Accuracy Class	N5
Rated output (mV/V)	3.0 ± 0.008
Combined error (%FS)	0.02
Non-linearity (%FS)	0.02
Non-repeatability (%FS)	0.01
Creep (%FS/30min)	0.02
Input Resistance (Ω)	350 ± 3.5
Output Resistance (Ω)	350 ± 3.5
Insulation Resistance (M Ω)	5000(50VDC)
Zero Balance (%FS)	1.0
Temperature effect on span (%FS/10 °C)	0.014
Temperature effect on zero (%FS/10 °C)	0.018
Temperature, Compensated (°C)	-10 ~ +40
Temperature, Operating (°C)	-35 ~ +65
Excitation, Recommended (V)	5 ~ 12(DC)
Excitation, Max. (V)	18(DC)
Safe Overload (%FS)	120
Ultimate Overload (%FS)	150
Protection Class	IP 67
Cable Length (m)	6
Cable spec	4-wire shielded PU cable

Connections Red Input(+) Black Input(-) Green Output(+) White Output(-) Transparence (Shield)

Outline Dimensions in mm(inches)

Dimensions	A	B	C	D	E	F	H	L	R	K	N
Capacity											
1K-4K	31.5 (1.24)	23.37 (0.92)	15.75 (0.62)	15.24 (0.60)	15.75 (0.62)	25.4 (1.00)	31.75 (1.25)	130 (5.12)	11.18 (0.44)	76.2 (3.00)	13.46 (0.53)
5K-10K	37.85 (1.49)	30.48 (1.20)	22.86 (0.90)	21.84 (0.86)	19.05 (0.75)	38.1 (1.50)	38.1 (1.50)	171.5 (6.75)	14.22 (0.56)	95.25 (3.75)	19.81 (0.78)



17 - 4PH stainless steel, adhesive - sealed.
Suitable for platform scales, track scale and other electronic weighing devices.

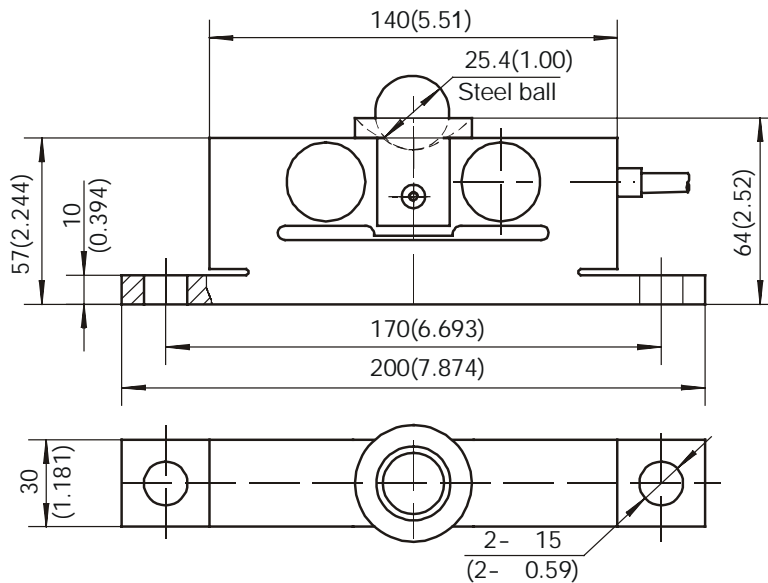
Capacity Accuracy Part number
2t C3 B9B1-C3-2t-4B

Specifications

Accuracy Class	C3	Temperature effect on zero (%FS/10)	0.018
Rated output (mV/V)	1.2 ± 0.004	Temperature, Compensated ()	-10~+40
Combined error (%FS)	0.02	Temperature, Operating ()	-35~+65
Non-linearity (%FS)	0.17	Excitation, Recommended (V)	5-12(DC)
Non-repeatability (%FS)	0.01	Excitation, Max.(V)	18(DC)
Creep (%FS/30min)	0.02	Safe Overload (%FS)	150
Input Resistance ()	700 ± 7	Ultimate Overload (%FS)	300
Output Resistance ()	700 ± 7	Protection Class	IP 67
Insulation Resistance (M)	5000 (50VDC)	Cable Length (m)	4
Zero Balance (%FS)	2.5	Cable spec	4-wire shielded PU cable
Temperature effect on span (%FS/10)	0.014		

Connections Red Input(+) Black Input(-) Green Output(+) White Output(-) Transparence (Shield)

Outline Dimensions in mm(inches)



Capacity	Accuracy	Part number
10t	C3	H9B-C3-10t-12B
20t	C3	H9B-C3-20t-12B
25t	C3	H9B-C3-25t-12B
30t	C3	H9B-C3-30t-12B
40tSE	C3	H9B-C3-40tSE-12B
40t	C3	H9B-C3-40t-12B
50t	C3	H9B-C3-50t-12B



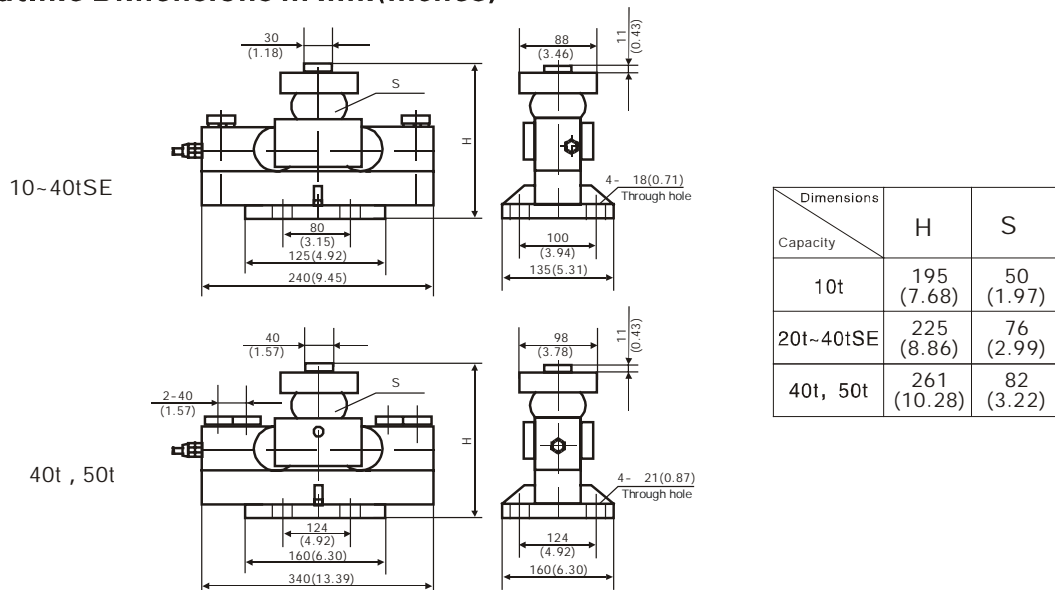
Alloy steel, nickel - plated, adhesive - sealed.
Suitable for vehicle scales, track scales and other electronic weighing devices.

Specifications

Accuracy Class	OIML R60 C3	Temperature effect on zero (%FS/10)	0.017
Rated output (mV/V)	2.0±0.002	Temperature, Compensated ()	-10~+40
Combined error (%FS)	0.02	Temperature, Operating ()	-35~+65
Non-linearity (%FS)	0.17	Excitation, Recommended (V)	5~12(DC)
Non-repeatability (%FS)	0.01	Excitation, Max.(V)	18(DC)
Creep (%FS/30min)	0.02	Safe Overload (%FS)	150
Input Resistance ()	700±7	Ultimate Overload (%FS)	300
Output Resistance ()	700±7	Protection Class	IP 67
Insulation Resistance (M)	5000(50VDC)	Cable Length (m)	12
Zero Balance (%FS)	1.5	Cable spec	4 - wire shielded cable 5.5mm
Temperature effect on span (%FS/10)	0.014	Remark	With load button, steel ball, cup.

Connections Red Input(+) Black Input(-) Green Output(+) White Output(-) Transperence (Shield)

Outline Dimensions in mm(inches)





Alloy steel, nickel - plated, welding - sealed.
Suitable for vehicle scales, track scales and other electronic weighing devices.

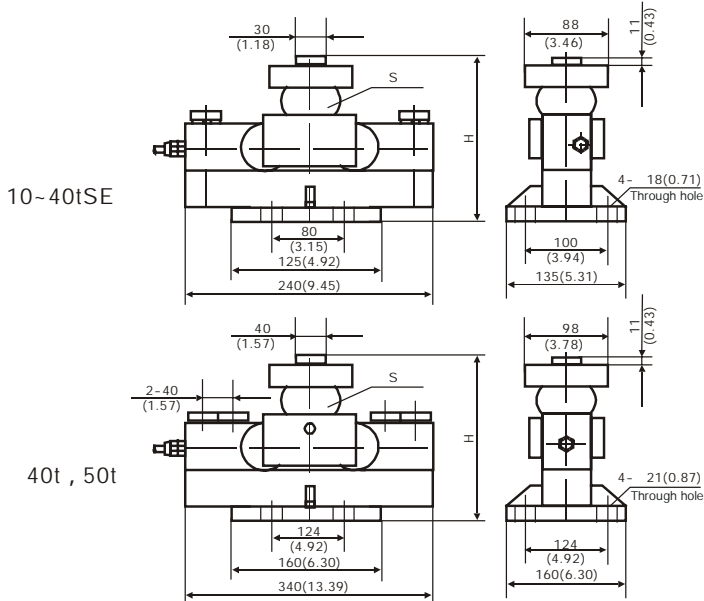
Capacity	Accuracy	Part number
10t	C3	HM9B-C3-10t-12B
20t	C3	HM9B-C3-20t-12B
25t	C3	HM9B-C3-25t-12B
30t	C3	HM9B-C3-30t-12B
40tSE	C3	HM9B-C3-40tSE-12B
40t	C3	HM9B-C3-40t-12B
50t	C3	HM9B-C3-50t-12B

Specifications

Accuracy Class	OIML R60 C3	Temperature effect on zero (%FS/10 °C)	0.017
Rated output (mV/V)	2.0 ± 0.002	Temperature, Compensated (°C)	-10~+40
Combined error (%FS)	0.02	Temperature, Operating (°C)	-35~+65
Non-linearity (%FS)	0.017	Excitation, Recommended (V)	5~12(DC)
Non-repeatability (%FS)	0.02	Excitation, Max.(V)	18(DC)
Creep (%FS/30min)	0.02	Safe Overload (%FS)	150
Input Resistance (Ω)	700 ± 7	Ultimate Overload (%FS)	300
Output Resistance (Ω)	700 ± 7	Protection Class	IP 68
Insulation Resistance (M Ω)	5000 (50VDC)	Cable Length (m)	12
Zero Balance (%FS)	1.5	Cable spec	4-wire shielded cable
Temperature effect on span (%FS/10 °C)	0.014	Remark	With load button, steel ball, cup.

Connections Red Input(+) Black Input(-) Green Output(+) White Output(-) Transparence (Shield)

Outline Dimensions in mm(inches)



Capacity	H	S
10t	195 (7.68)	50 (1.97)
20t~40tSE	225 (8.86)	76 (2.99)
40t, 50t	261 (10.28)	82 (3.22)

Capacity	Accuracy	Part number
5Klb	N3	B9C-N3-5K-9B
10Klb	N10	B9C-N10-10K-9B
20Klb	N10	B9C-N10-20K-9B
30Klb	N10	B9C-N10-30K-9B
40Klb	N10	B9C-N10-40K-9B
50Klb	N10	B9C-N10-50K-9B
60Klb	N10	B9C-N10-60K-9B
75Klb	N10	B9C-N10-75K-9B
90Klb	N10	B9C-N10-90K-9B
100Klb	N10	B9C-N10-100K-9B
150Klb	N3	B9C-N3-150K-9B
200Klb	N3	B9C-N3-200K-9B
250Klb	N3	B9C-N3-250K-9B



17 - 4PH stainless steel, high stability and corrosion proof. Suitable for truck scales, automobile tester, track scales and other electronic weighing devices.

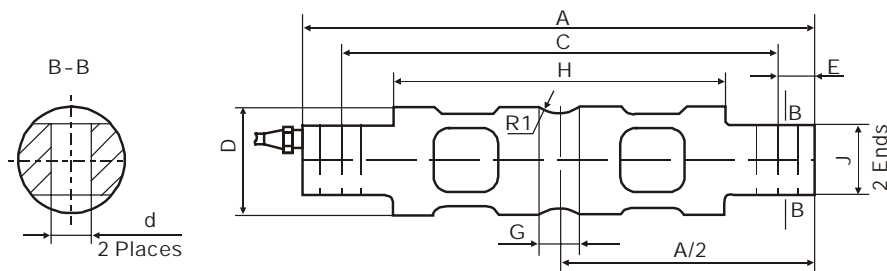
Weighing Assembly Available-See the model HM-9-401 or BM-9-402 on page 91 and 92.

Specifications

Accuracy Class	N10	N3	Temperature effect on zero (%FS/10)	0.017	0.025
Rated output(mV/V)	3.0 ± 0.003		Temperature, Compensated ()	-10~+40	
Combined error (%FS)	0.02	0.03	Temperature, Operating ()	-35~+65	
Non-linearity (%FS)	0.017	0.03	Excitation, Recommended (V)	5~12(DC)	
Non-repeatability (%FS)	0.01		Excitation, Max.(V)	18(DC)	
Creep (%FS/30min)	0.02	0.03	Safe Overload (%FS)	150	
Input Resistance ()	700 ± 7		Ultimate Overload (%FS)	300	
Output Resistance ()	700 ± 7		Protection Class	IP 67	
Insulation Resistance (M)	5000(50VDC)		Cable Length (m)	9	
Zero Balance (%FS)	1.0		Cable spec	4-wire shielded PU cable φ5mm(5K-20K), φ8mm(30K-250K)	
Temperature effect on span (%FS/10)	0.014	0.02			

Connections Red Input(+) Black Input(-) Green Output(+) White Output(-) Transperence (Shield)

Outline Dimensions in mm(inches)



Capacity(Klb)	A	C	H	G	D	J	d	R1	E
5-10	206.2 (8.12)	174.6 (6.88)	133.1 (5.24)	15.7 (0.62)	43.2 (1.70)	28.4 (1.12)	16.7 (0.66)	R12.7 (0.50)	15.7 (0.62)
15-20	206.2 (8.12)	174.6 (6.88)	133.1 (5.24)	21.3 (0.84)	49.5 (1.95)	28.4 (1.12)	16.7 (0.66)	R12.7 (0.50)	15.7 (0.62)
30-75	260.4 (10.25)	215.9 (8.50)	165.1 (6.50)	25.4 (1.00)	76.2 (3.00)	60.2 (2.37)	26.9 (1.06)	R25.4 (1.00)	22.4 (0.88)
90-100	285.8 (11.25)	241.3 (9.50)	190.2 (7.49)	31.0 (1.22)	88.9 (3.50)	63.5 (2.50)	26.9 (1.06)	R38.1 (1.50)	22.4 (0.88)
150	285.8 (11.25)	241.3 (9.50)	190.2 (7.49)	31.0 (1.22)	99.1 (3.90)	71.1 (2.80)	26.9 (1.06)	R38.1 (1.50)	22.4 (0.88)
200-250	408.9 (16.10)	330.3 (13.00)	254.0 (10.00)	31.7 (1.25)	136.6 (5.38)	116.8 (4.60)	39.6 (1.56)	R50.8 (2.00)	39.4 (1.55)

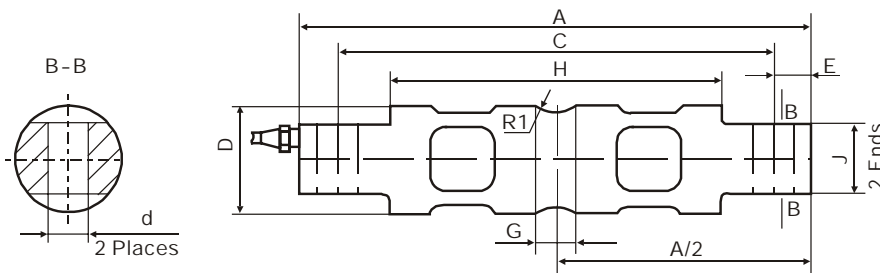


Capacity	Accuracy	Part number
5Klb	N3	H9C-N3-5K-9.3B
10Klb	N3	H9C-N3-10K-9.3B
20Klb	N10	H9C-N10-20K-9.3B
30Klb	N10	H9C-N10-30K-9.3B
40Klb	N10	H9C-N10-40K-9.3B
50Klb	N10	H9C-N10-50K-9.3B
60Klb	N10	H9C-N10-60K-9.3B
75Klb	N10	H9C-N10-75K-9.3B
100Klb	N10	H9C-N10-100K-9.3B
150Klb	N10	H9C-N10-150K-9.3B
200Klb	N3	H9C-N3-200K-9.3B
250Klb	N3	H9C-N3-250K-9.3B

Accuracy Class	OIML R60 C3	NTEP	L	N3	Temperature effect on zero (%FS/10)	0.018	0.025
Rated output (mV/V)	3.0±0.003				Temperature, Compensated ()	-10~+40	
Combined error (%FS)	0.02				Temperature, Operating ()	-35~+65	
Non-linearity (%FS)	0.017				Excitation, Recommended (V)	5-12(DC)	
Non-repeatability (%FS)	0.01				Excitation, Max.(V)	18(DC)	
Creep (%FS/30min)	0.02				Safe Overload (%FS)	150	
Input Resistance ()	700±7				Ultimate Overload (%FS)	300	
Output Resistance ()	700±7				Protection Class	IP 67	
Insulation Resistance (M)	5000(50VDC)				Cable Length (m)	9.3	
Zero Balance (%FS)	1.0				Cable spec	4-wire shielded PU cable φ5mm(5K-20K), φ8mm(30K-250K)	
Temperature effect on span (%FS/10)	0.014						

Connections Red Input(+) Black Input(-) Green Output(+) White Output(-) Transparence (Shield)

Outline Dimensions in mm(inches)



Capacity(Klb)	A	C	H	G	D	J	d	R1	E
5-10	206.2 (8.12)	174.6 (6.88)	133.1 (5.24)	15.7 (0.62)	43.2 (1.70)	28.4 (1.12)	16.7 (0.66)	R12.7 (0.50)	15.7 (0.62)
15-20	206.2 (8.12)	174.6 (6.88)	133.1 (5.24)	21.3 (0.84)	49.5 (1.95)	28.4 (1.12)	16.7 (0.66)	R12.7 (0.50)	15.7 (0.62)
30-75	260.4 (10.25)	215.9 (8.50)	165.1 (6.50)	25.4 (1.00)	76.2 (3.00)	60.2 (2.37)	26.9 (1.06)	R25.4 (1.00)	22.4 (0.88)
90-100	285.8 (11.25)	241.3 (9.50)	190.2 (7.49)	31.0 (1.22)	88.9 (3.50)	63.5 (2.50)	26.9 (1.06)	R38.1 (1.50)	22.4 (0.88)
150	285.8 (11.25)	241.3 (9.50)	190.2 (7.49)	31.0 (1.22)	99.1 (3.90)	71.1 (2.80)	26.9 (1.06)	R38.1 (1.50)	22.4 (0.88)
200-250	408.9 (16.10)	330.3 (13.00)	254.0 (10.00)	31.7 (1.25)	136.6 (5.38)	116.8 (4.60)	39.6 (1.56)	R50.8 (2.00)	39.4 (1.55)

Capacity	Accuracy	Part number
1Klb	N3	B9D-N3-1K-6B
1.5Klb	N3	B9D-N3-1.5K-6B
2Klb	N3	B9D-N3-2K-6B
2.5Klb	N3	B9D-N3-2.5K-6B
4Klb	N3	B9D-N3-4K-6B
5Klb	N3	B9D-N3-5K-6B
10Klb	N3	B9D-N3-10K-6B
15Klb	N3	B9D-N3-15K-6B
20Klb	N3	B9D-N3-20K-6B
25Klb	N3	B9D-N3-25K-6B
35Klb	N3	B9D-N3-35K-6B
50Klb	N3	B9D-N3-50K-6B
75Klb	N3	B9D-N3-75K-6B



17 - 4PII stainless steel, high stability and corrosion proof.
 Suitable for truck scales, automobile tester,
 track scales and other electronic weighing devices.

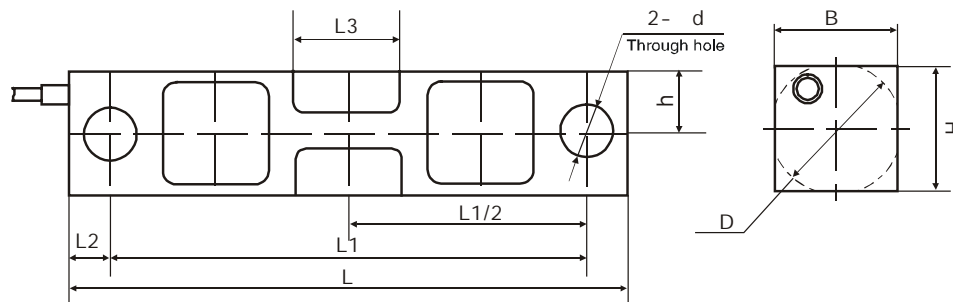
Weighing Assembly Available- See the model HM-9-403 or
 BM-9-404 on page 93 and 94.

Specifications

Accuracy Class	N3	Temperature effect on zero (%FS/10)	0.027
Rated output (mV/V)	3.0 ± 0.008	Temperature, Compensated ()	-10~+40
Combined error (%FS)	0.03	Temperature, Operating ()	-35~+65
Non-linearity (%FS)	0.03	Excitation, Recommended (V)	5~12(DC)
Non-repeatability (%FS)	0.02	Excitation, Max.(V)	18(DC)
Creep (%FS/30min)	0.03	Safe Overload (%FS)	150
Input Resistance ()	700 ± 7	Ultimate Overload (%FS)	300
Output Resistance ()	700 ± 7	Protection Class	IP 67
Insulation Resistance (M)	5000(50VDC)	Cable Length (m)	6
Zero Balance (%FS)	1.0	Cable spec	4-wire shielded PU cable φ 5mm
Temperature effect on span (%FS/10)	0.02		

Connections Red Input(+) Black Input(-) Green Output(+) White Output(-) Transperence (Shield)

Outline Dimensions in mm(inches)



Dimensions Capacity(Klb)	L	L1	L2	L3	H	h	B	D	d
1-5	190.5 (7.50)	158.75 (6.25)	15.9 (0.63)	30.48 (1.20)	30.99 (1.22)	16.76 (0.66)	30.99 (1.22)	31.5 (1.24)	12.7 (0.50)
10-35	222.25 (8.75)	190.5 (7.50)	15.9 (0.63)	41.15 (1.62)	49.15 (1.94)	24.58 (0.97)	36.45 (1.44)	50.8 (2.00)	20.57 (0.81)
50-75	342.9 (13.50)	292.1 (11.50)	25.4 (1.00)	82.55 (3.25)	74.68 (2.94)	37.34 (1.47)	61.98 (2.44)	75.95 (2.99)	33.32 (1.31)



Alloy steel, high stability.
 Suitable for truck scales, automobile tester,
 track scales and other electronic weighing devices.
 Weighing Assembly Available- See the model HM-9-403 or
 BM-9-404 on page 93 and 94.

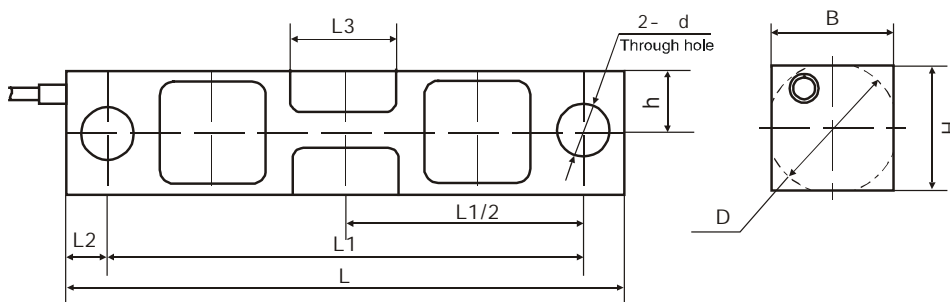
Capacity	Accuracy	Part number
1Klb	N3	H9D-N3-1K-6B
1.5Klb	N3	H9D-N3-1.5K-6B
2Klb	N3	H9D-N3-2K-6B
2.5Klb	N3	H9D-N3-2.5K-6B
4Klb	N3	H9D-N3-4K-6B
5Klb	N3	H9D-N3-5K-6B
10Klb	N3	H9D-N3-10K-6B
15Klb	N3	H9D-N3-15K-6B
20Klb	N3	H9D-N3-20K-6B
25Klb	N3	H9D-N3-25K-6B
35Klb	N3	H9D-N3-35K-6B
50Klb	N3	H9D-N3-50K-6B
75Klb	N3	H9D-N3-75K-6B

Specifications

Accuracy Class	N3	Temperature effect on zero (%FS/10)	0.027
Rated output (mV/V)	3.0±0.008	Temperature, Compensated ()	-10~+40
Combined error (%FS)	0.03	Temperature, Operating ()	-35~+65
Non-linearity (%FS)	0.03	Excitation, Recommended (V)	5~12(DC)
Non-repeatability (%FS)	0.02	Excitation, Max.(V)	18(DC)
Creep (%FS/30min)	0.01	Safe Overload (%FS)	150
Input Resistance ()	700±7	Ultimate Overload (%FS)	300
Output Resistance ()	700±7	Protection Class	IP 67
Insulation Resistance (M)	5000(50VDC)	Cable Length (m)	6
Zero Balance (%FS)	1.0	Cable spec	4-wire shielded PU cable φ 5mm
Temperature effect on span (%FS/10)	0.02		

Connections Red Input(+) Black Input(-) Green Output(+) White Output(-) Transparence (Shield)

Outline Dimensions in mm(inches)



Dimensions Capacity(Klb)	L	L1	L2	L3	H	h	B	D	d
1~5	190.5 (7.50)	158.75 (6.25)	15.9 (0.63)	30.48 (1.20)	30.99 (1.22)	16.76 (0.66)	30.99 (1.22)	31.5 (1.24)	12.7 (0.50)
10~35	222.25 (8.75)	190.5 (7.50)	15.9 (0.63)	41.15 (1.62)	49.15 (1.94)	24.58 (0.97)	36.45 (1.44)	50.8 (2.00)	20.57 (0.81)
50~75	342.9 (13.50)	292.1 (11.50)	25.4 (1.00)	82.55 (3.25)	74.68 (2.94)	37.34 (1.47)	61.98 (2.44)	75.95 (2.99)	33.32 (1.31)

Capacity	Accuracy	Part number
50Klb	N10	B9E-N10-50K-9B
		B9E-N10-50K-9F
60Klb	N10	B9E-N10-60K-9B
		B9E-N10-60K-9F
65Klb	N10	B9E-N10-65K-9B
		B9E-N10-65K-9F
75Klb	N10	B9E-N10-75K-9B
		B9E-N10-75K-9F
100Klb	N10	B9E-N10-100K-9B
		B9E-N10-100K-9F
125Klb	N10	B9E-N10-125K-9B
		B9E-N10-125K-9F
150Klb	N10	B9E-N10-150K-9B
		B9E-N10-150K-9F



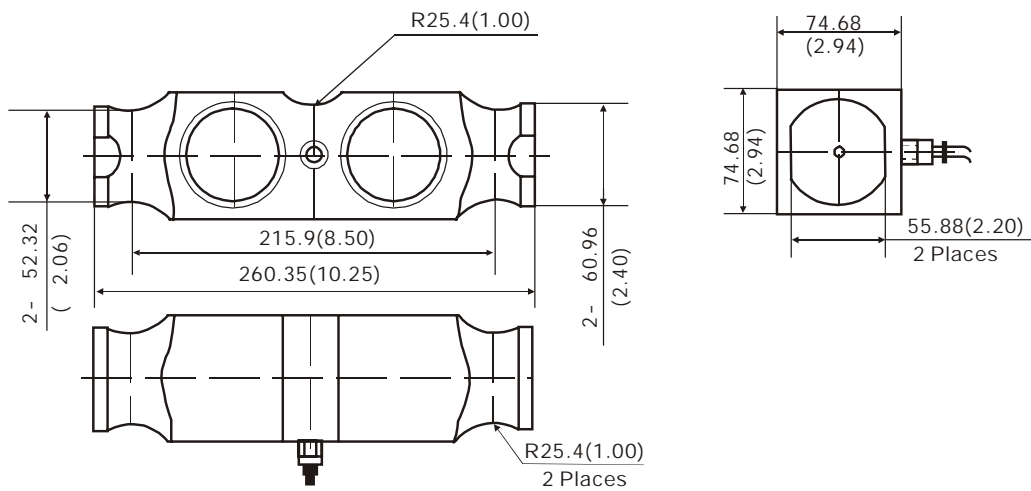
17 - 4PH stainless steel, adhesive - sealed
Suitable for track scales, hopper scales and other electronic weighing devices

Specifications

Accuracy Class	N10	Temperature effect on zero (%FS/10)	0.017
Rated output (mV/V)	3.0±0.003	Temperature, Compensated ()	-10~+40
Combined error (%FS)	0.02	Temperature, Operating ()	-35~+65
Non-linearity (%FS)	0.017	Excitation, Recommended (V)	5~12(DC)
Non-repeatability (%FS)	0.01	Excitation, Max.(V)	18(DC)
Creep (%FS/30min)	0.02	Safe Overload (%FS)	150
Input Resistance ()	700±7	Ultimate Overload (%FS)	300
Output Resistance ()	700±7	Protection Class	IP 67
Insulation Resistance (M)	5000(50VDC)	Cable Length (m)	9
Zero Balance (%FS)	1.0	Cable spec	4-wire shielded PU cable φ5mm
Temperature effect on span (%FS/10)	0.014		

Connections Red Input(+) Black Input(-) Green Output(+) White Output(-) Transperence (Shield)

Outline Dimensions in mm(inches)





Alloy steel, welding - sealed.
Suitable for truck scales, automobile tester,
track scales and other electronic weighing devices.

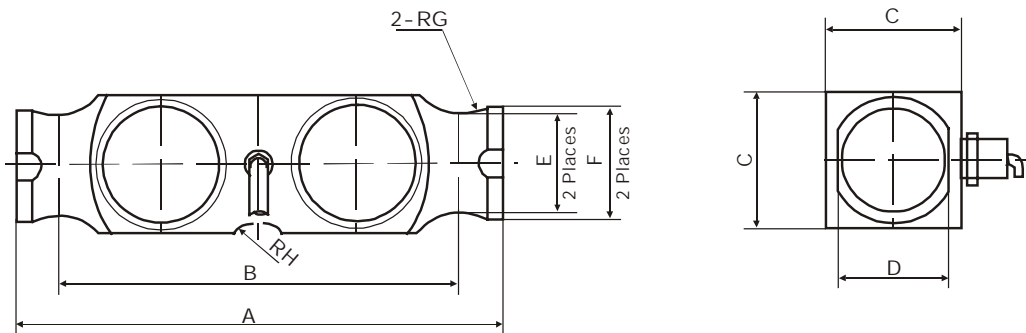
Capacity	Accuracy	Part number
50Klb	N10	HM9E-N10-50K-12B
65Klb	N10	HM9E-N10-65K-12B
100Klb	N10	HM9E-N10-100K-12B
125Klb	N10	HM9E-N10-125K-12B
200Klb	N10	HM9E-N10-200K-12B

Specifications

Accuracy Class	N10	Temperature effect on zero (%FS/10 °)	0.017
Rated output (mV/V)	3.0±0.003	Temperature, Compensated (°)	-10~+40
Combined error (%FS)	0.02	Temperature, Operating (°)	-35~+65
Non-linearity (%FS)	0.017	Excitation, Recommended (V)	5~12(DC)
Non-repeatability (%FS)	0.01	Excitation, Max.(V)	18(DC)
Creep (%FS/30min)	0.02	Safe Overload (%FS)	150
Input Resistance (Ω)	700±7	Ultimate Overload (%FS)	300
Output Resistance (Ω)	700±7	Protection Class	IP 68
Insulation Resistance (M Ω)	5000(50VDC)	Cable Length (m)	12
Zero Balance (%FS)	1.0	Cable spec	4-wire shielded PU cable φ 7.5mm
Temperature effect on span (%FS/10 °)	0.014		

Connections Red Input(+) Black Input(-) Green Output(+) White Output(-) Transparence (Shield)

Outline Dimensions in mm(inches)



Dimensions	A	B	C	D	E	F	RG	RH
Capacity(Klb)								
50 , 65	260.35 (10.25)	215.9 (8.50)	76.2 (3.00)	55.88 (2.20)	52.32 (2.06)	60.96 (2.40)	25.4 (1.00)	25.4 (1.00)
100 , 125	260.35 (10.25)	215.9 (8.50)	76.2 (3.00)	55.88 (2.20)	52.32 (2.06)	60.96 (2.40)	25.4 (1.00)	25.4 (1.00)
200	304.8 (12.00)	254 (10.00)	86.36 (3.40)	63.5 (2.50)	59.69 (2.35)	69.85 (2.750)	38.1 (1.50)	38.1 (1.50)

Capacity	Accuracy	Part number
10Klb	N10	B9F-N10-10K-9B
15Klb	N10	B9F-N10-15K-9B
20Klb	N10	B9F-N10-20K-9B
25Klb	N10	B9F-N10-25K-9B
30Klb	N10	B9F-N10-30K-9B
40Klb	N10	B9F-N10-40K-9B
50Klb	N10	B9F-N10-50K-9B
60Klb	N10	B9F-N10-60K-9B
75Klb	N10	B9F-N10-75K-9B



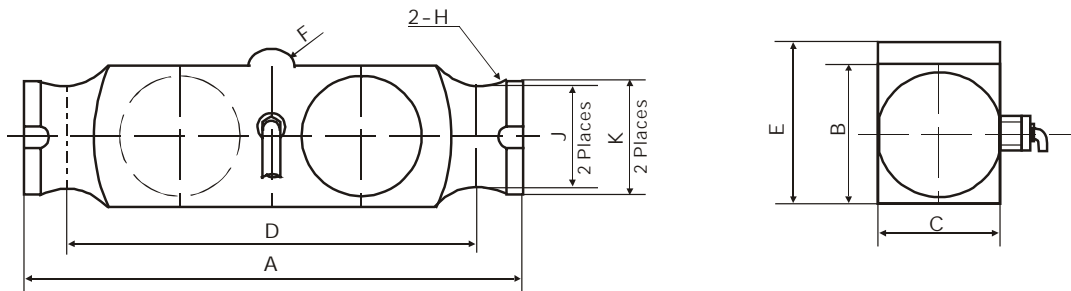
17 - 4PH stainless steel, high stability
Suitable for vehicle scales, track scales, hopper scales and other electronic weighing devices.

Specifications

Accuracy Class	N10	Temperature effect on zero (%FS/10)	0.017
Rated output (mV/V)	3.0±0.003	Temperature, Compensated ()	-10~+40
Combined error (%FS)	0.02	Temperature, Operating ()	-35~+65
Non-linearity (%FS)	0.017	Excitation, Recommended (V)	5~12(DC)
Non-repeatability (%FS)	0.01	Excitation, Max.(V)	18(DC)
Creep (%FS/30min)	0.02	Safe Overload (%FS)	150
Input Resistance ()	700±7	Ultimate Overload (%FS)	300
Output Resistance ()	700±7	Protection Class	IP 67
Insulation Resistance (M)	5000(50VDC)	Cable Length (m)	9
Zero Balance (%FS)	1.0	Cable spec	4-wire shielded PU cable φ5mm
Temperature effect on span (%FS/10)	0.014		

Connections Red Input(+) Black Input(-) Green Output(+) White Output(-) Transparence (Shield)

Outline Dimensions in mm(inches)



Capacity(Klb)	Dimensions	A	B	C	D	E	F	H	J	K
10~25		203.2 (8.00)	49.28 (1.94)	36.58 (1.44)	180.95 (7.12)	58.8 (2.31)	R9.52 (0.38)	R9.53 (0.37)	20.32 (0.80)	25.4 (1.00)
		215.9 (8.50)	62.23 (2.45)	49.53 (1.95)	184.15 (7.25)	76.1 (3.00)	R12.7 (0.50)	R19.05 (0.75)	44.45 (1.75)	50.8 (2.00)



Alloy steel, high stability.
Suitable for vehicle scales, track scales and other electronic weighing devices.

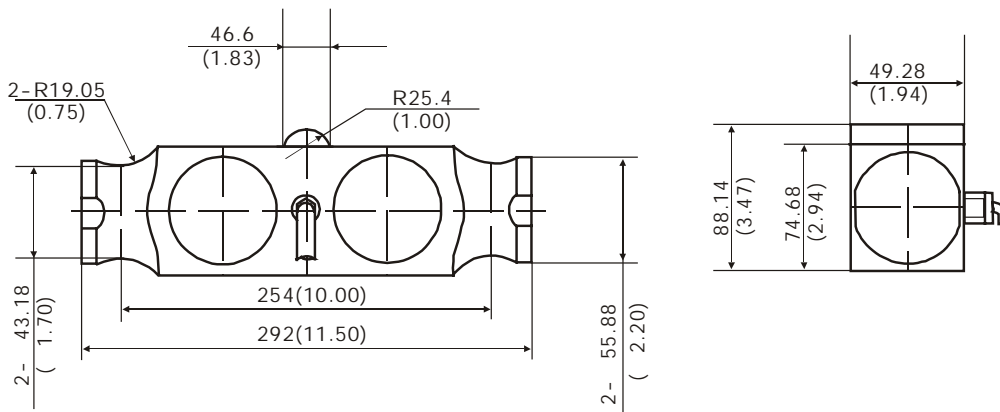
Capacity	Accuracy	Part number
50Klb	N10	H9H-N10-50K-9B
		H9H-N10-50K-9F
60Klb	N10	H9H-N10-60K-9B
		H9H-N10-60K-9F
75Klb	N10	H9H-N10-75K-9B
		H9H-N10-75K-9F
100Klb	N10	H9H-N10-100K-9B
		H9H-N10-100K-9F

Specifications

Accuracy Class	NTEP , L	Temperature effect on zero (%FS/10)	0.017
Rated output (mV/V)	3.0±0.003	Temperature, Compensated ()	-10~+40
Combined error (%FS)	0.02	Temperature, Operating ()	-35~+65
Non-linearity (%FS)	0.017	Excitation, Recommended (V)	5-12(DC)
Non-repeatability (%FS)	0.01	Excitation, Max.(V)	18(DC)
Creep (%FS/30min)	0.02	Safe Overload (%FS)	150
Input Resistance ()	700±7	Ultimate Overload (%FS)	300
Output Resistance ()	700±7	Protection Class	IP 67
Insulation Resistance (M)	5000(50VDC)	Cable Length (m)	9
Zero Balance (%FS)	1.0	Cable spec	4-wire shielded PU cable φ5mm
Temperature effect on span (%FS/10)	0.014		

Connections Red Input(+) Black Input(-) Green Output(+) White Output(-) Transparence (Shield)

Outline Dimensions in mm(inches)



Capacity	Accuracy	Part number
50Klb	N10	B9H-N10-50K-9B
		B9H-N10-50K-9F
60Klb	N10	B9H-N10-60K-9B
		B9H-N10-60K-9F
75Klb	N10	B9H-N10-75K-9B
		B9H-N10-75K-9F
100Klb	N10	B9H-N10-100K-9B
		B9H-N10-100K-9F



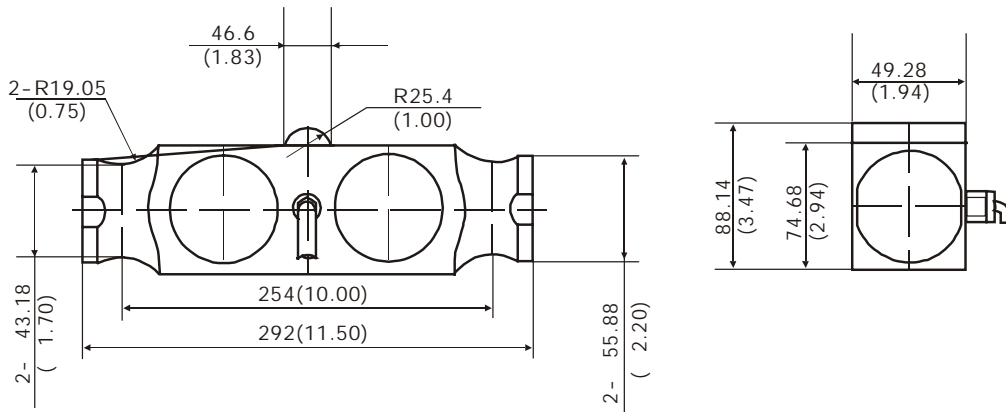
17 - 4PH stainless steel, high stability.
Suitable for vehicle scales, track scales and other electronic weighing devices.

Specifications

Accuracy Class	NTEP , L	Temperature effect on zero (%FS/10)	0.017
Rated output(mV/V)	3.0±0.003	Temperature, Compensated ()	-10~+40
Combined error (%FS)	0.02	Temperature, Operating ()	-35~+65
Non-linearity (%FS)	0.017	Excitation, Recommended (V)	5~12(DC)
Non-repeatability (%FS)	0.01	Excitation, Max.(V)	18(DC)
Creep (%FS/30min)	0.02	Safe Overload (%FS)	150
Input Resistance ()	700±7	Ultimate Overload (%FS)	300
Output Resistance ()	700±7	Protection Class	IP 67
Insulation Resistance (M)	5000(50VDC)	Cable Length (m)	9
Zero Balance (%FS)	1.0	Cable spec	4-wire shielded PU cable φ 5mm
Temperature effect on span (%FS/10)	0.014		

Connections Red Input(+) Black Input(-) Green Output(+) White Output(-) Transparence (Shield)

Outline Dimensions in mm(inches)





17 - 4PH stainless steel, adhesive - sealed.
Suitable for platform scales, vehicle scales and other electronic weighing devices.

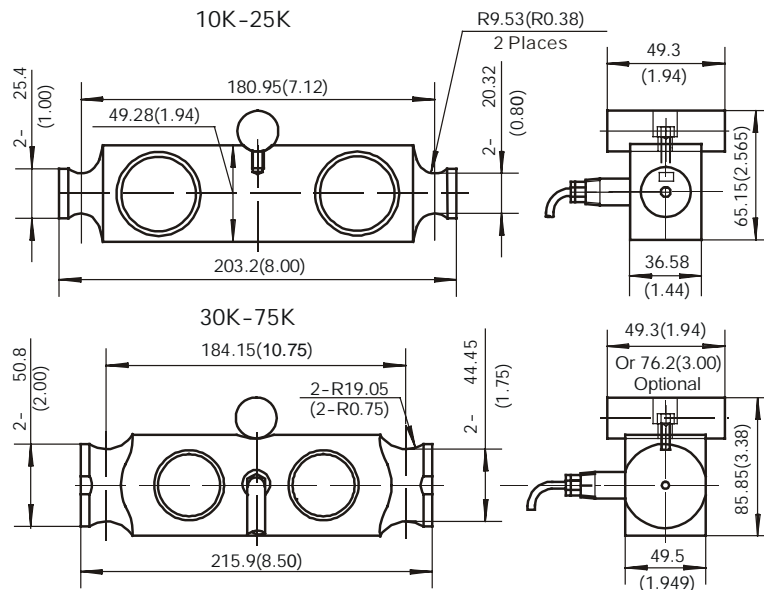
Capacity	Accuracy	Part number
10K	N10	B9K-N10-10K-9B
15K	N10	B9K-N10-15K-9B
20K	N10	B9K-N10-20K-9B
25K	N10	B9K-N10-25K-9B
30K	N10	B9K-N10-30K-9B
40K	N10	B9K-N10-40K-9B
50K	N10	B9K-N10-50K-9B
60K	N10	B9K-N10-60K-9B
75K	N10	B9K-N10-75K-9B

Specifications

Accuracy Class	N10	Temperature effect on zero (%FS/10)	0.017
Rated output (mV/V)	3.0±0.008	Temperature, Compensated ()	-10~+40
Combined error (%FS)	0.02	Temperature, Operating ()	-35~+65
Non-linearity (%FS)	0.017	Excitation, Recommended (V)	5-12(DC)
Non-repeatability (%FS)	0.01	Excitation, Max.(V)	18(DC)
Creep (%FS/30min)	0.03	Safe Overload (%FS)	150
Input Resistance ()	700±7	Ultimate Overload (%FS)	300
Output Resistance ()	700±7	Protection Class	IP 67
Insulation Resistance (M)	5000(50VDC)	Cable Length (m)	9
Zero Balance (%FS)	1.0	Cable spec	4-wire shielded PU cable
Temperature effect on span (%FS/10)	0.014		

Connections Red Input(+) Black Input(-) Green Output(+) White Output(-) Transparence (Shield)

Outline Dimensions in mm(inches)



Capacity	Accuracy	Part number
25Klb	N10	B9J-N10-25K-9B
		B9J-N10-25K-9F
50Klb	N10	B9J-N10-50K-9B
		B9J-N10-50K-9F
65Klb	N10	B9J-N10-65K-9B
		B9J-N10-65K-9F
100Klb	N10	B9J-N10-100K-9B
		B9J-N10-100K-9F



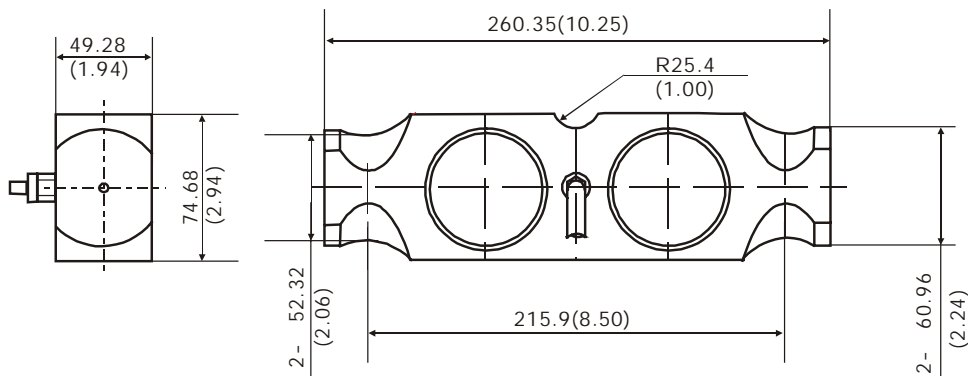
17 - 4PH stainless steel, Adhesive - sealed,
Suitable for vehicle scales, automobile tester, hopper scales and other electronic weighing devices.

Specifications

Accuracy Class	N10	Temperature effect on zero (%FS/10 °C)	0.017
Rated output (mV/V)	3.0±0.008	Temperature, Compensated (°C)	-10~+40
Combined error (%FS)	0.02	Temperature, Operating (°C)	-35~+65
Non-linearity (%FS)	0.017	Excitation, Recommended (V)	5~12(DC)
Non-repeatability (%FS)	0.01	Excitation, Max.(V)	18(DC)
Creep (%FS/30min)	0.02	Safe Overload (%FS)	150
Input Resistance (Ω)	700±7	Ultimate Overload (%FS)	300
Output Resistance (Ω)	700±7	Protection Class	IP 67
Insulation Resistance (M Ω)	5000(50VDC)	Cable Length (m)	9
Zero Balance (%FS)	1.0	Cable spec	4-wire shielded PU cable φ 5mm
Temperature effect on span (%FS/10 °C)	0.014		

Connections Red Input(+) Black Input(-) Green Output(+) White Output(-) Transparence (Shield)

Outline Dimensions in mm(inches)





17 - 4PH stainless steel, adhesive - sealed.
 Suitable for platform scales, vehicle scales and other electronic weighing devices.

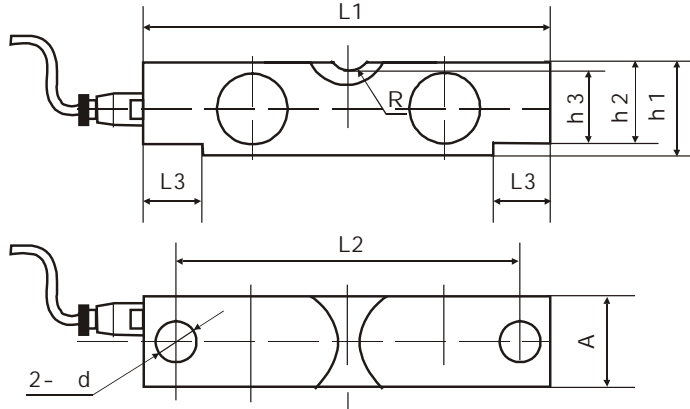
Capacity	Accuracy	Part number
10Klb	N10	B9N-N10-10K-9B
15Klb	N10	B9N-N10-15K-9B
20Klb	N10	B9N-N10-20K-9B
25Klb	N10	B9N-N10-25K-9B
30Klb	N10	B9N-N10-30K-9B
40Klb	N10	B9N-N10-40K-9B
50Klb	N10	B9N-N10-50K-9B
60Klb	N10	B9N-N10-60K-9B
75Klb	N10	B9N-N10-75K-9B
100Klb	N10	B9N-N10-100K-9B
125Klb	N10	B9N-N10-125K-9B

Specifications

Accuracy Class	N10	Temperature effect on zero (%FS/10)	0.017
Rated output (mV/V)	3.0±0.003	Temperature, Compensated ()	-10~+40
Combined error (%FS)	0.02	Temperature, Operating ()	-35~+65
Non-linearity (%FS)	0.017	Excitation, Recommended (V)	5-12(DC)
Non-repeatability (%FS)	0.01	Excitation, Max.(V)	18(DC)
Creep (%FS/30min)	0.03	Safe Overload (%FS)	150
Input Resistance ()	700±7	Ultimate Overload (%FS)	300
Output Resistance ()	700±7	Protection Class	IP 67
Insulation Resistance (M)	5000(50VDC)	Cable Length (m)	9
Zero Balance (%FS)	1.0	Cable spec	4-wire shielded PU cable
Temperature effect on span (%FS/10)	0.014		

Connections Red Input(+) Black Input(-) Green Output(+) White Output(-) Transparence (Shield)

Outline Dimensions in mm(inches)



Capacity(Klb)	L1	L2	L3	h1	h2	h3	A	d	R
10-25	197 (7.75)	165 (6.50)	35 (1.38)	49.3 (1.94)	43.2 (1.70)	41.4 (1.63)	43 (1.70)	17.3 (0.68)	19.1 (0.75)
30-40	260.4 (10.25)	216 (8.50)	49 (1.93)	62 (2.44)	53.3 (2.10)	50.8 (2.00)	49.3 (1.94)	20.6 (0.81)	25.4 (1.00)
50-75	260.4 (10.25)	216 (8.50)	49 (1.93)	74.7 (2.94)	67.3 (2.65)	64.5 (2.54)	62 (2.44)	26.9 (1.06)	25.4 (1.00)
100-125	387.4 (15.25)	324 (12.76)	79.5 (3.13)	98 (3.86)	87.1 (3.43)	83.8 (3.30)	73.7 (2.90)	41.2 (1.62)	38.1 (1.50)

Capacity	Accuracy	Part number
25Klb	N10	H9N-N10-25K-9B
40Klb	N10	H9N-N10-40K-9B
50Klb	N10	H9N-N10-50K-9B
60Klb	N10	H9N-N10-60K-9B
75Klb	N10	H9N-N10-75K-9B
100Klb	N10	H9N-N10-100K-9B
125Klb	N10	H9N-N10-125K-9B
150Klb	N10	H9N-N10-150K-9B
200Klb	N10	H9N-N10-200K-9B



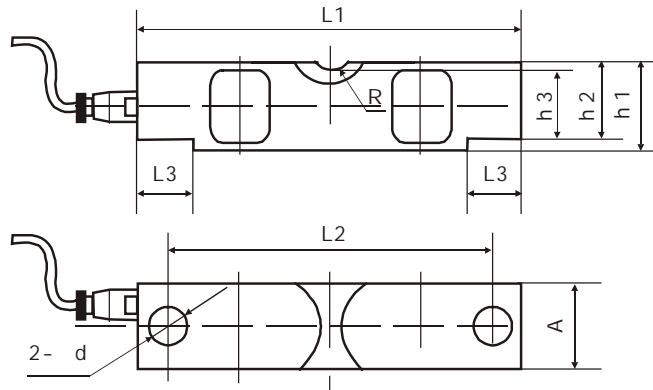
Alloy steel, adhesive - sealed.
Suitable for platform scales, vehicle scales and other electronic weighing devices.

Specifications

Accuracy Class	NTEP , L	Temperature effect on zero (%FS/10)	0.017
Rated output (mV/V)	3.0±0.003	Temperature, Compensated ()	-10~+40
Combined error (%FS)	0.02	Temperature, Operating ()	-35~+65
Non-linearity (%FS)	0.017	Excitation, Recommended (V)	5-12(DC)
Non-repeatability (%FS)	0.01	Excitation, Max. (V)	18(DC)
Creep (%FS/30min)	0.03	Safe Overload (%FS)	150
Input Resistance ()	700±7	Ultimate Overload (%FS)	300
Output Resistance ()	700±7	Protection Class	IP 67
Insulation Resistance (M)	5000(50VDC)	Cable Length (m)	9
Zero Balance (%FS)	1.0	Cable spec	4-wire shielded PU cable
Temperature effect on span (%FS/10)	0.014		

Connections Red Input(+) Black Input(-) Green Output(+) White Output(-)

Outline Dimensions in mm(inches)



Capacity(Klb)	L1	L2	L3	h1	h2	h3	A	d	R
25	197 (7.75)	165 (6.50)	35 (1.38)	49.3 (1.94)	43.2 (1.70)	41.4 (1.63)	43 (1.70)	17.3 (0.68)	19.1 (0.75)
40	260.4 (10.25)	216 (8.50)	49.3 (1.94)	62 (2.44)	53.3 (2.10)	50.8 (2.00)	49.3 (1.94)	20.6 (0.81)	25.4 (1.00)
50-75	260.4 (10.25)	216 (8.50)	49 (1.93)	74.7 (2.94)	67.3 (2.65)	64.5 (2.54)	62 (2.44)	26.9 (1.06)	25.4 (1.00)
100-125	387.4 (15.25)	324 (12.76)	79.5 (3.13)	98 (3.86)	87.1 (3.43)	83.8 (3.30)	73.7 (2.90)	41.2 (1.62)	38.1 (1.50)
150-200	489 (19.25)	387.4 (15.25)	127.8 (5.03)	147.3 (5.80)	130.1 (5.12)	112.8 (4.44)	96.5 (3.80)	41.2 (1.62)	50.8 (2.00)



Capacity	Accuracy	Part number
10t	C3	BM14A-C3-10t-10B-SC
25t	C3	BM14A-C3-25t-20B-SC
40t	C3	BM14A-C3-40t-20B-SC
60t	C3	BM14A-C3-60t-20B-SC
100t	C3	BM14A-C3-100t-20B-SC
25Klb	N10	BM14A-N10-25K-9YB
50Klb	N10	BM14A-N10-50K-9YB
100Klb	N10	BM14A-N10-100K-9YB
200Klb	N10	BM14A-N10-200K-9YB

17-4PH stainless steel, welding-sealed, lightning protection can reach 10000V, recover automatically.
Suitable for truck scales, track scales, hopper scales and other electronic weighing devices.

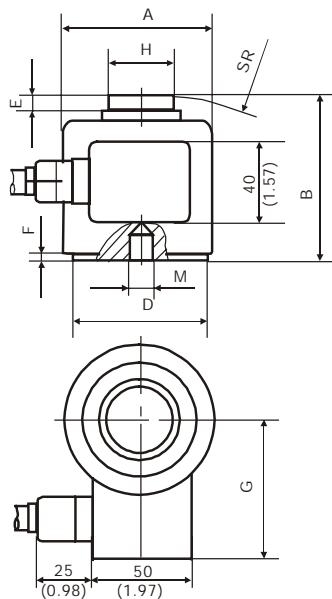
Weighing Assembly Available-See the model BY-14-101 on page 96.

Specifications

Accuracy Class	N10	OIML R60 C3	Temperature effect on zero (%FS/10)	0.017
Rated output (mV/V)	2.0 ± 0.002		Temperature, Compensated ()	- 10~ + 40
Combined error (%FS)	0.02		Temperature, Operating ()	- 35~ + 65
Non-linearity (%FS)	0.017		Excitation, Recommended (V)	5~12(DC)
Non-repeatability (%FS)	0.01		Excitation, Max.(V)	18(DC)
Creep (%FS/30min)	0.02		Safe Overload (%FS)	150
Input Resistance ()	450 ± 5		Ultimate Overload (%FS)	300
Output Resistance ()	480 ± 5		Protection Class	IP68
Insulation Resistance (M)	≥5000(50VDC)		Cable Length (m)	10(10t); 20(25t-100t); 9(25K-200K)
Zero Balance (%FS)	1.0		Cable spec	4-wire shielded PU cable 7.5
Temperature effect on span (%FS/10)	0.014			

Connections Green Input(-) Black Input(-) White Output(+) Red Output(-) Transparence (Shield)

Outline Dimensions in mm(inches)



Capacity(t/Klb)	10,25 (25,50)	40,60 (100)	100 (200)
Dimensions			
A	73 (2.87)	105 (4.13)	152.4 (6.00)
B	82.5 (3.25)	127.0 (5.00)	184.2 (7.25)
C	12 (0.47)	34 (1.34)	72.3 (2.85)
D	58 (2.28)	82.5 (3.25)	123.8 (4.87)
E	6.5 (0.26)	8.0 (0.31)	23.6 (0.93)
F	1.8 (0.07)	11.0 (0.43)	21.8 (0.86)
G	64 (2.52)	87 (3.43)	108.2 (4.26)
H	31.8 (1.25)	58.7 (2.31)	79.2 (3.12)
M	M12 × 1.75 1/2-20UNF	M20 × 2.5 3/4-16UNF	
SR	152 (5.98)	152 (5.98)	432 (17.01)

Capacity	Accuracy	Part number
10t	C3	BM14C-C3-10t-15B
20t	C3	BM14C-C3-20t-15B
25t	C3	BM14C-C3-25t-15B
30t	C3	BM14C-C3-30t-15B
40t	C3	BM14C-C3-40t-15B
50t	C3	BM14C-C3-50t-15B



17-4PH stainless steel, welding-sealed, lightning protection can reach 10000V, recover automatically.
Suitable for truck scales, track scales and other electronic weighing devices.

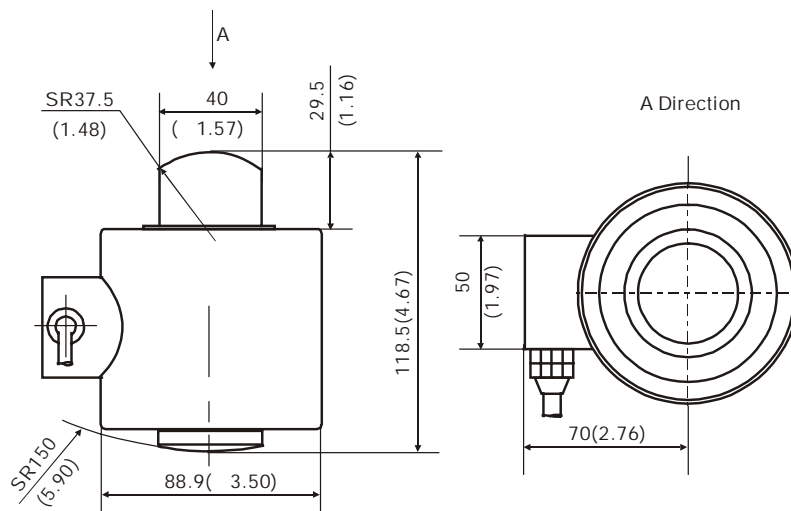
Weighing Assembly Available See the model HM-14-401, HM-14-403, HY-14-104, BY-14-103 on page 95, 96, 97 and 98.

Specifications

Accuracy Class	OIML R60 C3	Temperature effect on zero (%FS/10)	0.017
Rated output (mV/V)	2.0±0.002	Temperature, Compensated ()	-10-+40
Combined error (%FS)	0.02	Temperature, Operating ()	-35-+65
Non-linearity (%FS)	0.017	Excitation, Recommended (V)	5-12(DC)
Non-repeatability (%FS)	0.01	Excitation, Max.(V)	18(DC)
Creep (%FS/30min)	0.02	Safe Overload (%FS)	200
Input Resistance ()	700±7	Ultimate Overload (%FS)	300
Output Resistance ()	700±7	Protection Class	IP68
Insulation Resistance (M)	5000(50VDC)	Cable Length (m)	15
Zero Balance (%FS)	1.0	Cable spec	4-wire shielded PU cable φ 5.0
Temperature effect on span (%FS/10)	0.014		

Connections Red Input(+) Black Input(-) Green Output(+) White Output(-) Transparence (Shield)

Outline Dimensions in mm(inches)





Capacity	Accuracy	Part number
10t	C3	HM14C-C3-10t-13B6
20t	C3	HM14C-C3-20t-13B6
25t	C3	HM14C-C3-25t-13B6
30t	C3	HM14C-C3-30t-13B6
50t	C3	HM14C-C3-50t-13B6

Alloy steel, nickel-plated, welding-sealed,
Suitable for truck scales, track scales and other electronic weighing devices.

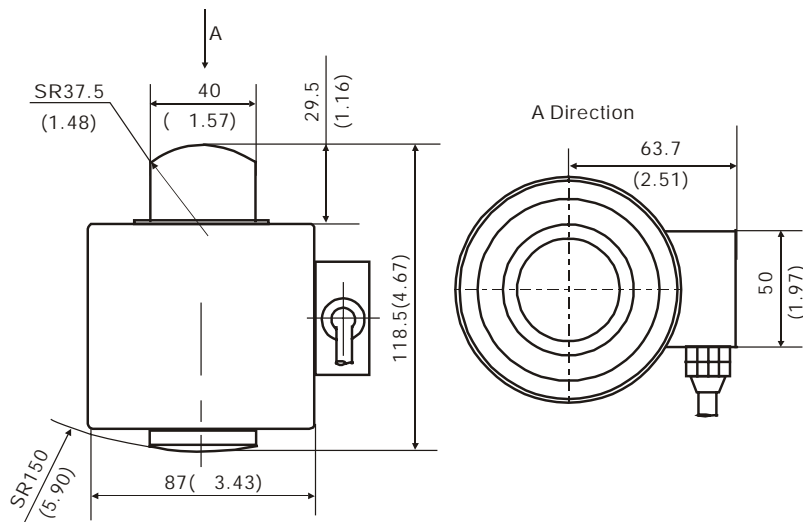
Weighing Assembly Available-See the model
HM-14-401, HM-14-403, HY-14-104,
BY-14-103 on page 95, 96, 97 and 98.

Specifications

Accuracy Class	C3	Temperature effect on zero (%FS/10)	0.02
Rated output (mV/V)	1.5 ± 0.004	Temperature, Compensated ()	-10~+40
Combined error (%FS)	0.02	Temperature, Operating ()	-35~+65
Non-linearity (%FS)	0.017	Excitation, Max.(V)	5-12(DC)
Non-repeatability (%FS)	0.01	Excitation, Permission(V)	18(DC)
Creep (%FS/30min)	0.02	Safe Overload (%FS)	200
Input Resistance ()	700 ± 7	Ultimate Overload (%FS)	300
Output Resistance ()	700 ± 7	Protection Class	IP68
Insulation Resistance (M)	5000(50VDC)	Cable Length (m)	13
Zero Balance (%FS)	1.0	Cable spec	6-wire shielded cable φ 6.3
Temperature effect on span (%FS/10)	0.02		

Connections Red Input(+) Yellow Input(-) Blue Output(+) White Output(-)
Brown Sense(+) Black Sense(-) Transparence (Shield)

Outline Dimensions in mm(inches)



Capacity	Accuracy	Part number
10t	C2	BM14D-C2-10t-20B
20t	C2	BM14D-C2-20t-20B
25t	C2	BM14D-C2-25t-20B
30t	C2	BM14D-C2-30t-20B
10t	C2	BM14D-C2-40t-20B
50t	C2	BM14D-C2-50t-20B
100t	C2	BM14D-C2-100t-20B

Tension and compression applications, welding - sealed.
17 - 4PH stainless steel, lightning protection can reach 10000V, recover automatically.

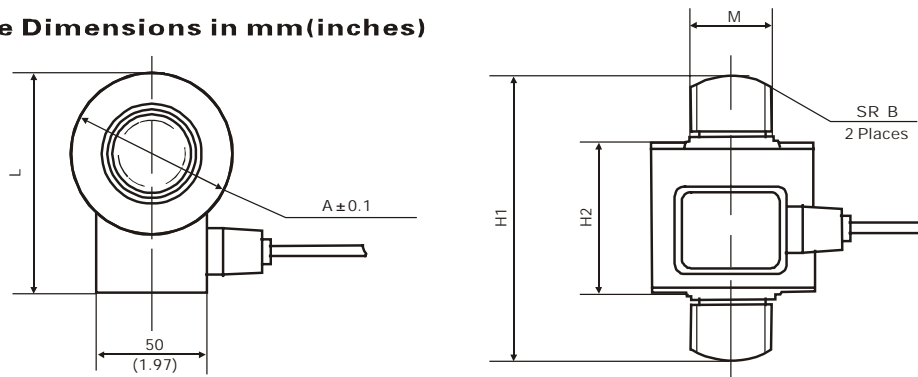


Specifications

Accuracy Class	C2	Temperature effect on zero (%FS/10)	0.02
Rated output (mV/V)	1.5 ± 0.002	Temperature, Compensated ()	-10~+40
Combined error (%FS)	0.03	Temperature, Operating ()	-35~+65
Non-linearity (%FS)	0.02	Excitation, Recommended (V)	5-12(DC)
Non-repeatability (%FS)	0.01	Excitation, Max.(V)	18(DC)
Creep (%FS/30min)	0.02	Safe Overload (%FS)	200
Input Resistance ()	700 ± 7	Ultimate Overload (%FS)	300
Output Resistance ()	700 ± 7	Protection Class	IP 68
Insulation Resistance (M)	5000(50DC)	Cable Length (m)	20
Zero Balance (%FS)	2.0	Cable spec	4-wire shielded PU cable
Temperature effect on span (%FS/10)	0.02		

Connections Red Input(+) Black Input(-) Green Output(+) White Output(-)

Outline Dimensions in mm(inches)



Capacity	H1	H1	A	L	M	SR
10t-20t	180 (7.08)	64.9 (2.55)	73 (2.87)	99.7 (3.92)	M36×3	200 (7.87)
25t-30t	200 (7.87)	70 (2.75)	88.9 (3.50)	115.6 (4.55)	M42×3	250 (9.84)
40t-60t	250 (9.84)	96.9 (3.81)	105 (4.13)	138.3 (5.44)	M56×4	300 (11.80)
100t	350 (13.70)	126.1 (4.96)	152.4 (4.93)	183.9 (7.14)	M76×4	400 (15.70)



Capacity	Accuracy	Part number
10t	C3	BM14G-C3-10t-15B-SC
20t	C3	BM14G-C3-20t-15B-SC
30t	C3	BM14G-C3-30t-15B-SC
40t	C3	BM14G-C3-40t-15B-SC
50t	C3	BM14G-C3-50t-15B-SC

17 - 4PH stainless steel, welding-sealed.
 Lightning protection can reach 10000V, recover automatically.
 Suitable for platform scales, automobile tester, hopper scales and other electronic weighing devices.

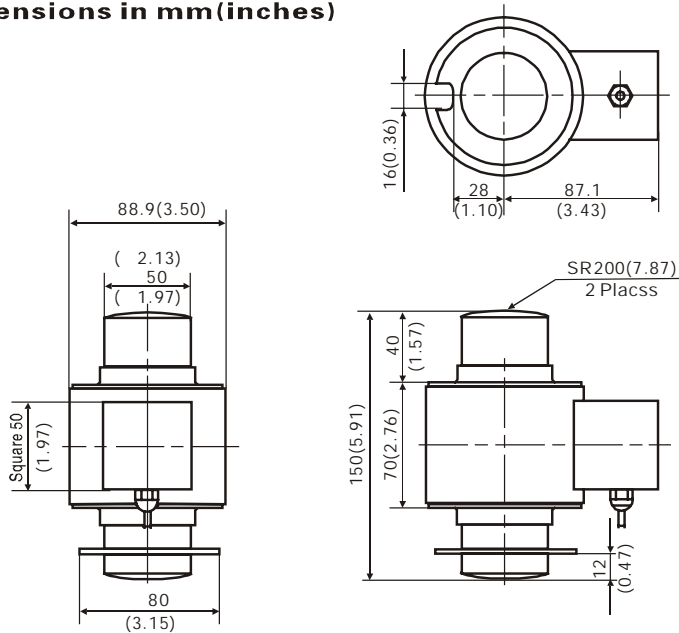
Weighing Assembly Available-See the model BY-14-105 on page 98.

Specifications

Accuracy Class	OIML R60 C3	NTEP , L	Temperature effect on zero (%FS/10)	0.017
Rated output(mV/V)	2.0±0.002		Temperature, Compensated ()	-10~+40
Combined error (%FS)	0.02		Temperature, Operating ()	-35~+65
Non-linearity (%FS)	0.017		Excitation, Recommended (V)	5-12(DC)
Non-repeatability (%FS)	0.01		Excitation, Max.(V)	18(DC)
Creep (%FS/30min)	0.02		Safe Overload (%FS)	150
Input Resistance ()	700±7		Ultimate Overload (%FS)	300
Output Resistance ()	700±7		Protection Class	IP68
Insulation Resistance (M)	5000(50VDC)		Cable Length (m)	15
Zero Balance (%FS)	1.0		Cable spec	4-wire shielded PU cable φ 5
Temperature effect on span (%FS/10)	0.014			

Connections Green Input(+) Black Input(-) White Output(+) Red Output(-) Transparence (Shield)

Outline Dimensions in mm(inches)



Capacity	Accuracy	Part number
10t	C3	BM14K-C3-10t-12B6
15t	C3	BM14K-C3-15t-12B6
20t	C3	BM14K-C3-20t-12B6
30t	C3	BM14K-C3-30t-12B6
40t	C3	BM14K-C3-40t-20B6
50t	C3	BM14K-C3-50t-20B6
60t	C3	BM14K-C3-60t-20B6
100t	C3	BM14K-C3-100t-20B6



17 - 4PH stainless steel, welding-sealed.
Lightning protection can reach 10000V, recover automatically. Suitable for platform scales, automobile tester, hopper scales and other electronic weighing devices.

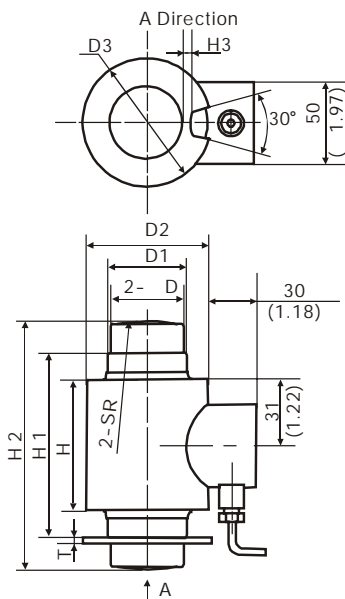
Weighing Assembly Available-See the model BY-14-102 on page 97.

Specifications

Accuracy Class	OIML R60 C3	NTEP	L	Temperature effect on zero (%FS/10)	0.017
Rated output (mV/V)	2.0 ± 0.002			Temperature, Compensated ()	-10~+40
Combined error (%FS)	0.02			Temperature, Operating ()	-30~+65
Non-linearity (%FS)	0.017			Excitation, Recommended (V)	5~12(DC)
Non-repeatability (%FS)	0.01			Excitation, Max.(V)	18(DC)
Creep (%FS/30min)	0.017			Safe Overload (%FS)	150
Input Resistance ()	700 ± 7			Ultimate Overload (%FS)	300
Output Resistance ()	700 ± 7			Protection Class	IP 68
Insulation Resistance (M)	5000(50VDC)			Cable Length (m)	12(10-30t),20(40-100t)
Zero Balance (%FS)	1.0			Cable spec	6-wire shielded PU cable φ 5
Temperature effect on span (%FS/10)	0.014				

Connections Green Input(+) Black Input(-) White Output(+) Red Output(-)
Yellow Sense(+) Blue Sense(-) Transparence (Shield)

Outline Dimensions in mm(inches)



Dimensions	D	D1	D2	D3	E	SR	H	H1	H2	H3	T
Capacity											
10t-15t					12 (0.47)	110 (4.33)	80 (3.15)	88 (3.46)	130 (5.12)		
20t						130 (5.12)					
30t	44 (1.73)	49 (1.93)	74 (2.91)	76 (2.99)		160 (6.30)	92 (3.62)	100 (3.94)	150 (5.91)	5 (0.20)	3 (0.12)
40t						180 (7.09)					
50t-60t					19 (0.75)	220 (8.66)			210 (8.27)		
100t	64 (2.52)	68 (2.68)	93 (3.66)	103 (4.06)		290 (11.42)	121 (4.71)	128 (5.04)	260 (10.24)	7 (0.28)	5 (0.20)

WEIGHING ASSEMBLY HM-2-401



Assembled with H2F

Capacity	Part number
1t-5t	HM-2-401-1/5t
10t	HM-2-401-10t
15t	HM-2-401-15t
20t	HM-2-401-20t
30t	HM-2-401-30t
50t	HM-2-401-50t

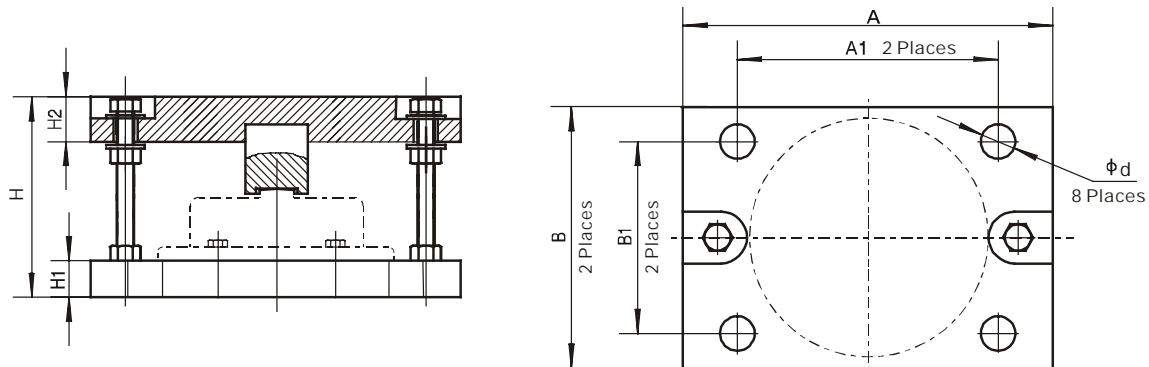
Features

- Restrict horizontal movement
- Anti-turnover
- Correct dislocation automatically
- Compact structure, simple installation

Specifications

Ultimate overload	150%FS
Maximum horizontal displacement	±3mm
Maximum force against retroflexion	50%FS
Maximum force against slide	50%FS
Material	Alloy steel

Outline Dimensions in mm(inches)



Dimensions Capacity(t)	A	A 1	B	B 1	H	H 1	H 2	d
1 - 5	228 (8.98)	168 (6.61)	170 (6.69)	110 (4.33)	112 (4.41)	20 (0.79)	27 (1.06)	17.5 (0.69)
10	260 (10.24)	200 (7.87)	200 (7.87)	140 (5.51)	143 (5.63)	25 (0.98)	31 (1.22)	20 (0.79)
15	294 (11.57)	234 (9.21)	234 (9.21)	174 (6.85)	163 (6.42)	30 (1.18)	37 (1.46)	20 (0.79)
20	320 (12.60)	260 (10.24)	260 (10.24)	200 (7.87)	167 (6.57)	30 (1.18)	37 (1.46)	20 (0.79)
30	330 (12.99)	270 (10.63)	270 (10.63)	210 (8.27)	182 (7.17)	35 (1.38)	47 (1.85)	23 (0.91)
50	364 (14.33)	294 (11.57)	294 (11.57)	224 (8.82)	202 (7.95)	40 (1.57)	55 (2.17)	27 (1.06)

WEIGHING ASSEMBLY HL-3-001/002

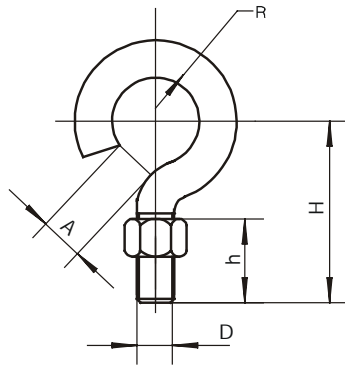
Applications

- Conversion of mechanical scales
- Crane scales
- Packaging scales
- Hopper and tank scales



Assembled with S-type load cell.

Outline Dimensions in mm(inches)



Capacity	Part number
25kg-50kg	HL-3-001-25/50Kg
100kg	HL-3-001-100Kg
200kg-300kg	HL-3-001-200/300Kg
500kg-1.5t	HL-3-002-500kg/1.5t

Hook (Ring)

Capacity	Dimensions	D	H	h	R	A
25-50kg	M8	34 (1.34)	16 (0.63)	10 (0.39)	18 (0.71)	18 (0.71)
100kg	M10	42 (1.65)	20 (0.63)	12 (0.47)	18 (0.71)	18 (0.71)
200-300kg	M12	48 (1.89)	22 (0.79)	14 (0.55)	18 (0.71)	18 (0.71)
500-1500kg	M12	48 (1.89)	22 (0.87)	14 (0.55)	0	0

WEIGHING ASSEMBLY HL-3-003

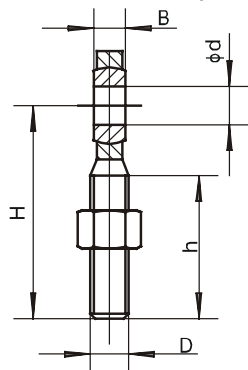
Applications

- Conversion of mechanical scales
- Crane scales
- Packaging scales
- Hopper and tank scales



Assembled with S-type load cell.

Outline Dimensions in mm(inches)



Capacity	Part number
25kg-50kg	HL-3-003-25/50Kg
100kg	HL-3-003-100Kg
200kg-300kg	HL-3-003-200/300Kg
500kg-1.5t	HL-3-003-500Kg/1.5t
2t-5t	HL-3-003-2/5t

Rod end bearings

Capacity	Dimensions	D	H	h	B	d
25-50kg	M8	42 (1.65)	21 (0.83)	8 (0.31)	8 (3.1)	8 (3.1)
100kg	M10	48 (1.89)	26 (1.02)	9 (0.35)	10 (0.39)	10 (0.39)
200-300kg	M12	54 (2.13)	28 (1.10)	10 (0.39)	12 (0.47)	12 (0.47)
500-1500kg	M12	54 (2.13)	28 (1.10)	10 (0.39)	12 (0.47)	12 (0.47)
2t-5t	M20x1.5	78 (3.07)	43 (1.69)	16 (0.63)	20 (0.79)	20 (0.79)

WEIGHING ASSEMBLY HL-3-004



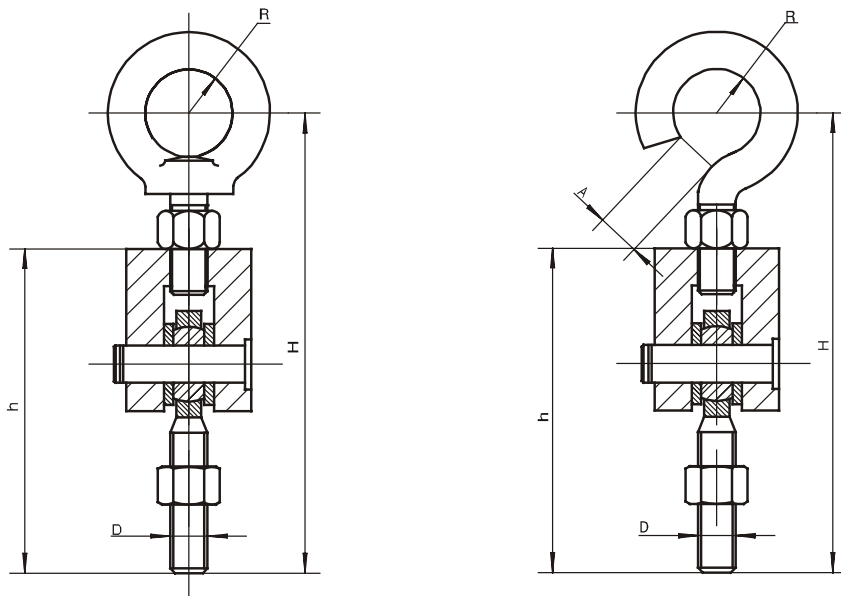
Assembled with S-type load cell.

Capacity	Part number
25kg-50kg	HL-3-004-25/50kg
100kg	HL-3-004-100kg
200kg-300kg	HL-3-004-200/300kg
500kg-1.5t	HL-3-004-500kg/1.5t
2t-5t	HL-3-004-2/5t

Applications

- Conversion of mechanical scales
- Crane scales
- Packaging scales
- Hopper and tank scales

Outline Dimensions in mm(inches)



Capacity	Dimensions	D	H	R	A	h
25-50kg	M8	117 (4.61)	14 (0.55)	18 (0.71)	79 (3.11)	
100kg	M10	123 (4.89)	14 (0.55)	18 (0.71)	85 (3.35)	
200-300kg	M12	129 (5.07)	14 (0.55)	18 (0.71)	91 (3.58)	
500kg	M12	138 (5.43)	17 (0.67)	0	95 (3.74)	
750-1500kg	M12	138 (5.43)	17 (0.67)	0	95 (3.74)	
2t-5t	M20x1.5	/	/	0	135 (5.31)	

WEIGHING ASSEMBLY HJ-8-201

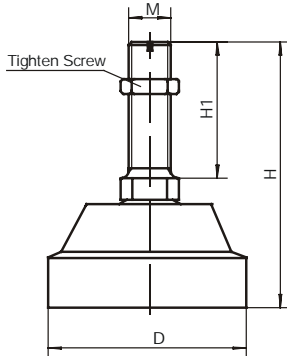
Capacity	Part number
0.5-2t	HJ-8-201-0.5/2t
2.5-5t	HJ-8-201-2.5/5t
1-4K	HJ-8-201-1/4K
5-10K	HJ-8-201-5/10K

Features

Easy installation, height adjustable, with a steel ball inside to center automatically, high ability of anti-side-load, suitable for the floor scale, platform scale.
Material: Alloy steel.



Outline Dimensions in mm(inches)



Dimensions Capacity	D	H1	H	M	Suitable products
0.5-2t	60	50	90	M12 × 1.75	B8D, BM8D
1-4K	(2.36)	(1.97)	(3.54)	1/2-20UNF	H8C, HM8C
2.5-5t	80	50	105	M18 × 1.5	H8C, HM8C
5-10K	(3.15)	(1.97)	(4.13)	3/4-16UNF	B8D, BM8D H8C, HM8C

WEIGHING ASSEMBLY BJ-8-202

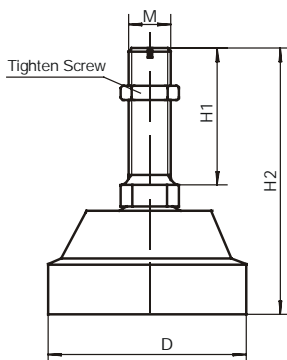
Capacity	Part number
0.5-2t	BJ-8-202-0.5/2t
2.5-5t	BJ-8-202-2.5/5t
250lb-5KSE	BJ-8-202-250lb/5KSE
5K-10Klb	BJ-8-202-5/10K

Features

Easy installation, height adjustable, anti-corrosion, with a steel ball inside to center automatically, high ability of anti-side load. Mainly used for the floor scale, platform scale in harsh and corrosive environments.



Outline Dimensions in mm(inches)



Dimensions Capacity	D	H1	H	M	Suitable products
0.5-2t	60	50	90	M12 × 1.75	B8D, BM8D
250lb-5KSE	(2.36)	(1.97)	(3.54)	1/2-20UNF	H8C, HM8C
2.5-5t	80	50	105	M20 × 2.5	B8D, BM8D
5-10K	(3.15)	(1.97)	(4.13)	3/4-16UNF	B8D, BM8D H8C, HM8C

WEIGHING ASSEMBLY HJ-8-203



Assembled with H8C, B8D, HM8C or BM8D

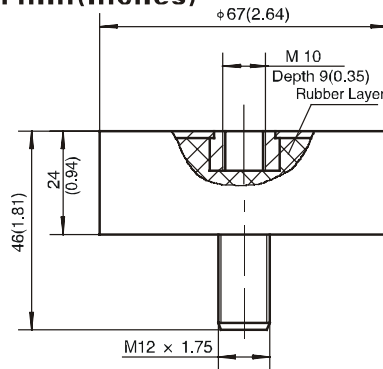
Capacity Part number
0.5-2t HJ-8-203-0.5/2t

Features

Alloy steel with rubber sandwiched inside, can adjust slanted slightly, easy installation.

Mainly used for platform scale, packaging scale, hybrid scales etc.

Outline Dimensions in mm(inches)



WEIGHING ASSEMBLY BJ-8-205



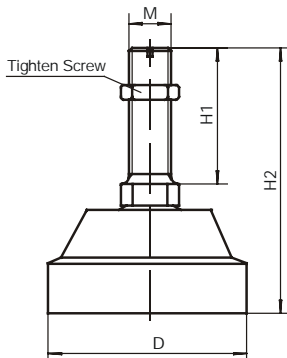
Assembled with B8D, H8C, HM8C or HM8D

Capacity Part number
0.5-2t BJ-8-205-0.5/2t
2.5-5t BJ-8-205-2.5/5t
250lb-5KSE BJ-8-205-250lb/5KSE
5-10K BJ-8-205-5/10K

Features

Easy installation, height adjustable, anti-corrosion, with a steel ball inside to center automatically, high ability of anti-side load. Mainly used for the floor scale, platform scale in harsh and corrosive environments.

Outline Dimensions in mm(inches)



Dimensions Capacity	D	H1	H	M	Suitable products
0.5-2t	60	50	90	M12 x 1.75	B8D, BM8D
1-4K	(2.36)	(1.97)	(3.54)	1/2-20UNF	H8C, HM8C
2.5-5t				M20 x 2.5	B8D, BM8D
5-10K	80	50	105	3/4-16UNF	B8D, BM8D H8C, HM8C
	(3.15)	(1.97)	(4.13)		

WEIGHING ASSEMBLY BJ-8-206

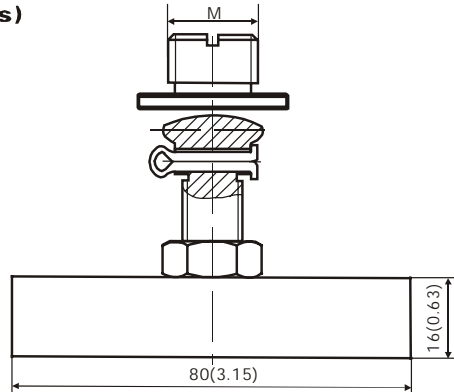
Capacity	Part number
0.25t-2t	BJ-8-206-0.25/2t
500lb-4Klb	BJ-8-208-500lb/4K



Stainless steel, rubber foot, Assembled with BM8H or H8H.

Outline Dimensions in mm(inches)

Capacity	M
0.25-2t	M12
500-4K	1/2-20UNF



WEIGHING ASSEMBLY BJ-8-207

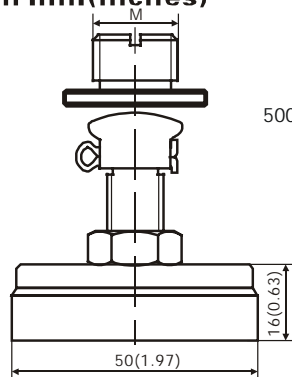
Capacity	Part number
250Kg-2t	BJ-8-207-0.25/2t
5t	BJ-8-207-5t
500lb-4Klb	BJ-8-207-500lb/4K
10Klb	BJ-8-207-10K



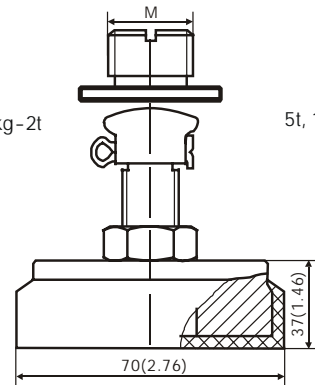
Stainless steel, rubber foot, assembled with BM8H or H8H.

Outline Dimensions in mm(inches)

Capacity	Part number
250kg-2t	M12
5t	M20
500lb-4Klb	1/2-20UNF
10Klb	3/4-16UNF



500lb-4Klb, 250kg-2t



5t, 10Klb

WEIGHING ASSEMBLY HJ-8-208



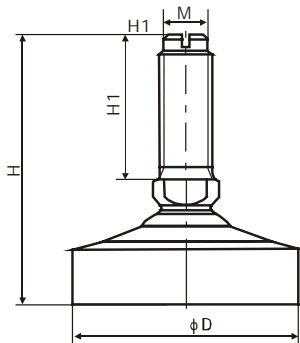
Alloy steel, rubber foot, suitable for H8C, B8D, HM8C or BM8D

Capacity	Part number
0.5t-2t	HJ-8-208-0.5/2t
2.5t-5t	HJ-8-208-2.5/5t
1Klb-5KSE	HJ-8-208-1/5KSE
5Klb-10K1b	HJ-8-208-5/10K

Features

Easy installation, height adjustable, with a steel ball inside to center automatically, high ability of anti-side load, mainly used for floor scale, platform scale.

Outline Dimensions in mm(inches)



Capacity	D	H1	H	M	Suitable products
0.5-2t	60 (2.36)	42 (1.65)	74 (2.91)	M12×1.75	B8D, BM8D, H8C, HM8C
2.5-5t	80 (3.15)	50 (1.97)	95 (3.74)	M18×1.5	H8C, HM8C
2.5-5t	80 (3.15)	50 (1.97)	95 (3.74)	M20×2.5	B8D, BM8D
1-5KSE	60 (2.36)	42 (1.65)	74 (2.91)	1/2-20UNF	B8D, BM8D, H8C, HM8C
5-10K	80 (3.15)	50 (1.97)	95 (3.74)	3/4-16UNF	

WEIGHING ASSEMBLY HY-8-101



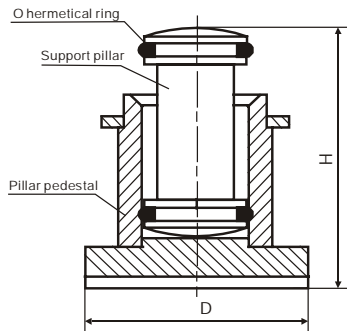
Stainless steel, assembled with H8 or HM8

Capacity	Part number
0.5t-3t	HY-8-101-0.5/3t
5t	HY-8-101-5t
10t-15t	HY-8-101-10/15t
20t-25t	HY-8-101-20/25t
30t	HY-8-101-30t
50t	HY-8-101-50t

Features

Easy installation, anti-corrosion, non-falling structure, automatically correct dislocation during the process of side loading and lateral forcing, mainly used for truck scale, platform scale.

Outline Dimensions in mm(inches)



Capacity	0.5-3t	5t	10-15t	20-25t	30t	50t
D	35 (1.38)	42 (1.65)	57 (2.24)	70 (2.76)	70 (2.76)	85 (3.35)
H	44.9 (1.77)	56.7 (2.23)	80.7 (3.18)	85 (3.35)	91 (3.58)	102 (4.04)

WEIGHING ASSEMBLY HY-8-102

Capacity	Part number
0.5t-2t	HY-8-102-0.5/2t
2.5-5t	HY-8-102-2.5/5t

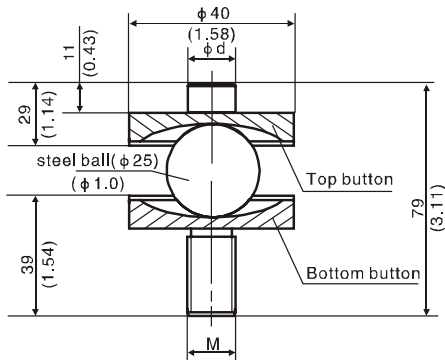
Features

Easy installation, dislocation of the steel ball can be corrected automatically, high ability of anti-side-loading and lateral forcing, mainly used for platform scale.



Alloy steel, assembled with H8C, B8D, HM8C or BM8D.

Outline Dimensions in mm(inches)



Dimensions Capacity	d	M
0.5-2	12 (0.47)	M12 × 1.75
2.5-5	18 (0.71)	M18 × 1.5

WEIGHING ASSEMBLY BY-8-104

Capacity	Part number
0.5t-2t	BY-8-104-0.5/2t
2.5-5t	BY-8-104-2.5/5t

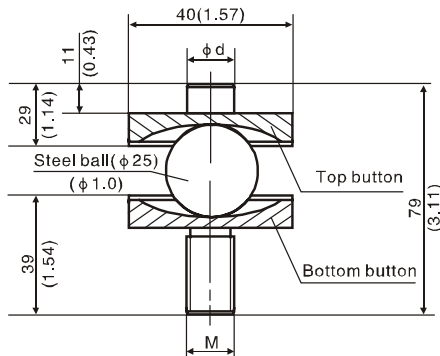
Features

Easy installation, dislocation of the steel ball can be corrected automatically, high ability of anti-side-loading and lateral forcing, mainly used for platform scale.



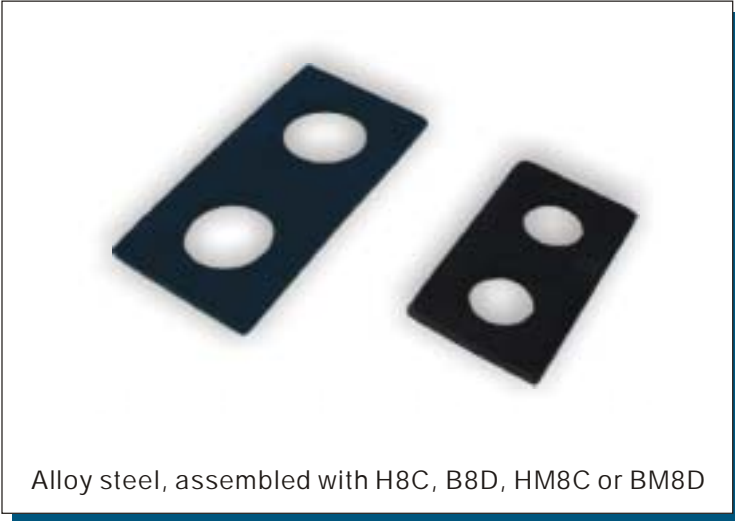
Stainless steel, assembled with B8D, BM8D, H8C or HM8C.

Outline Dimensions in mm(inches)



Dimensions Capacity	d	M
0.5-2	12 (0.47)	M12 × 1.75
2.5-5	18 (0.71)	M20 × 2.5

WEIGHING ASSEMBLY HD-8-301



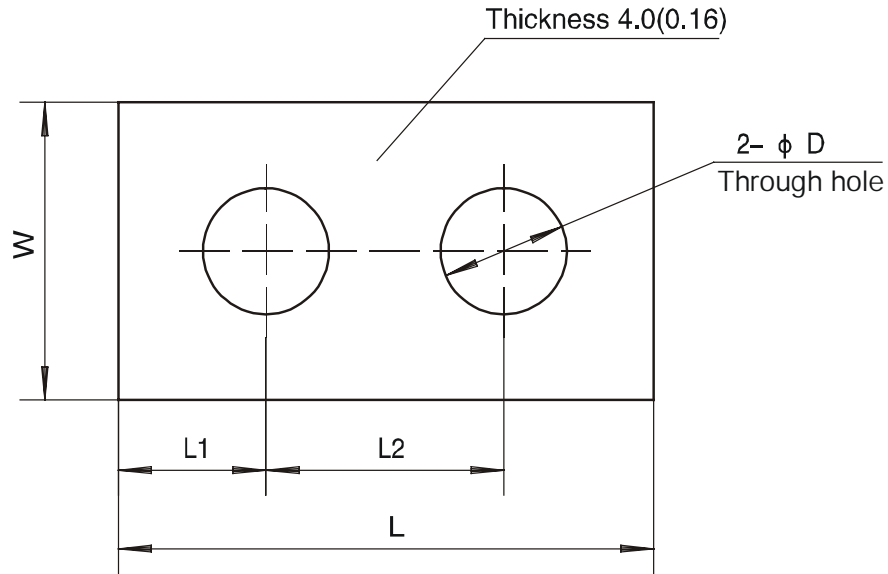
Alloy steel, assembled with H8C, B8D, HM8C or BM8D

Capacity	Part number
0.5-2t	HD-8-301-0.5/2t
2.5-5t	HD-8-301-2.5/5t
1-4Klb	HD-8-301-1/4K
5-10Klb	HD-8-301-5/10K

Features

Suitable for platform scale, floor scale etc.

Outline Dimensions in mm(inches)



Capacity \ Dimensions	L	L1	L2	W	D
0.5-2t (1-4K)	54 (2.13)	13 (0.51)	25.4 (1.0)	32 (1.26)	14 (0.55)
2.5-5t (5-10K)	77 (3.03)	19 (0.75)	38 (1.50)	38 (1.50)	20 (0.79)

WEIGHING ASSEMBLY HM-8-401

Capacity	Part number
0.5-3t	HM-8-401-0.5/3t
5t	HM-8-401-5t
10-15t	HM-8-401-10/15t
20t	HM-8-401-20t



Alloy steel, assembled with H8 or HM8.

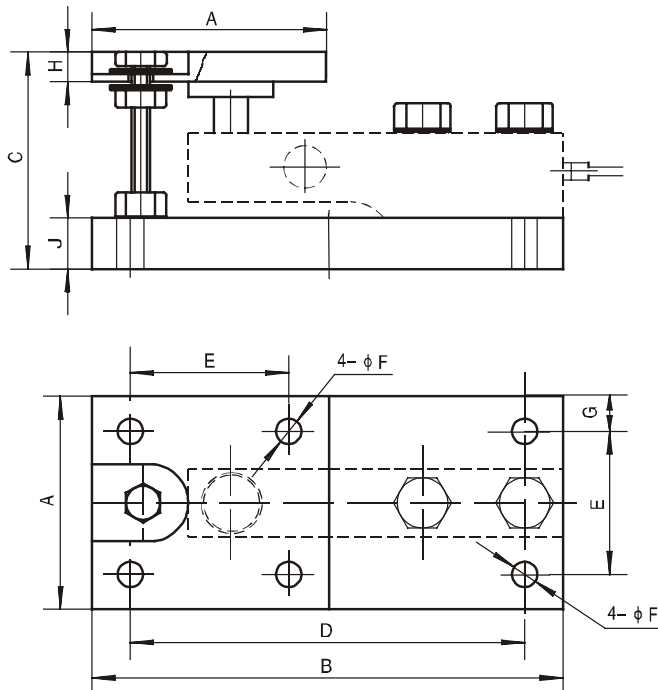
Features

- ◆ Compact structure, easy installation
- ◆ Anti - turnover
- ◆ Anti - overload
- ◆ Correct dislocation automatically

Specifications

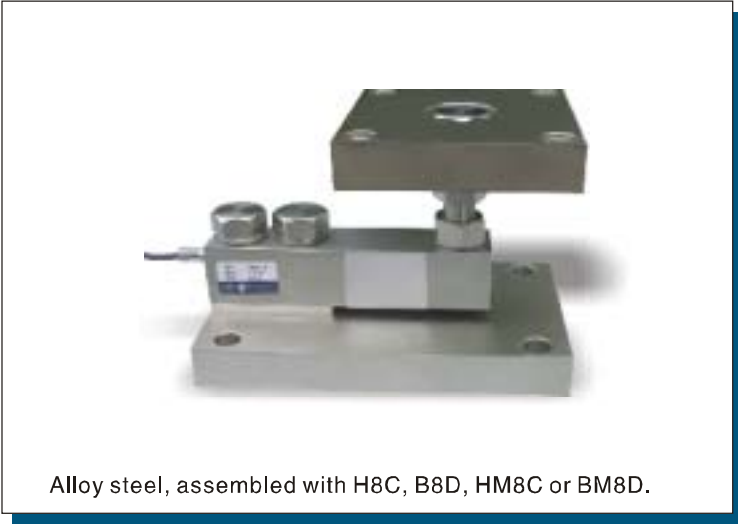
Capacity	t	0.5-3	5	10-15	20
Ultimate overload	%FS	150	150	150	150
Maximum horizontal displacement	mm	5	4		
Maximum force against retroflexion	KN		10	30	50
Material	Alloy steel				

Outline Dimensions in mm(inches)



Capacity	0.5-2t	5t	10-15t	20t
Dimensions				
A	114.3 (4.50)	152.4 (6.00)	203.2 (8.00)	228.6 (9.00)
B	241.3 (9.50)	300 (11.81)	355.6 (14.00)	406.4 (16.00)
C	104.8 (4.13)	136.5 (5.37)	190.5 (7.50)	228.6 (9.00)
D	214.6 (8.45)	249.2 (9.81)	304.8 (12.00)	342.9 (13.50)
E	88.9 (3.50)	101.6 (4.00)	152.4 (6.00)	165.1 (6.50)
F	11 (0.43)	17.5 (0.69)	20.6 (0.81)	25.5 (1.00)
H	19 (0.75)	25.4 (1.00)	44.5 (1.75)	50.8 (2.00)
J	25.4 (1.00)	32 (1.26)	44.5 (1.75)	50.8 (2.00)
G	12.7 (0.50)	25.4 (1.00)	25.4 (1.00)	31.8 (1.25)

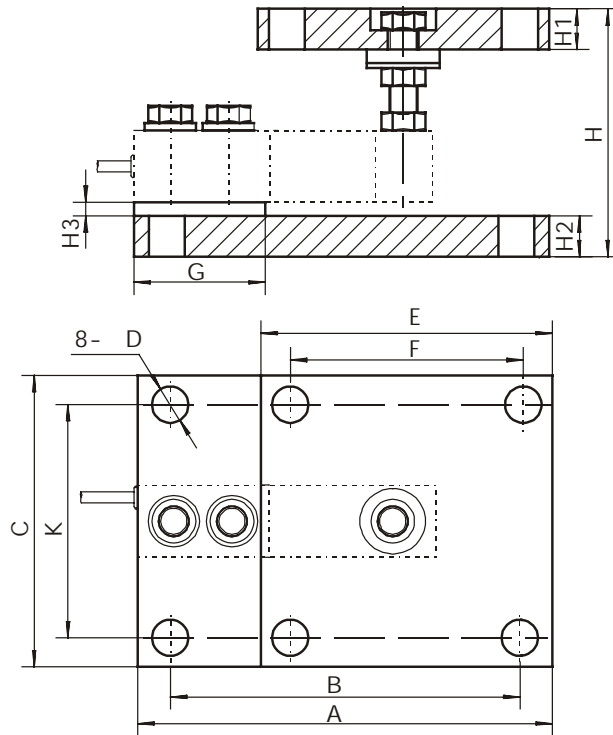
WEIGHING ASSEMBLY HM-8-402



Alloy steel, assembled with H8C, B8D, HM8C or BM8D.

Capacity	Part number
0.5-2t	HM-8-402-0.5/2t
2.5-5t	HM-8-402-2.5/5t
1-4Klb	HM-8-402-1/4K
5-10Klb	HM-8-402-5/10K

Outline Dimensions in mm(inches)



Dimensions Capacity	A	B	C	D	K	E	F	G	H1	H2	H3	H
0.5-2t (1-4K)	180.9 (7.12)	152.4 (6.00)	127 (5.00)	16 (0.63)	101.6 (4.00)	127 (5.00)	101.6 (4.00)	54 (2.13)	18 (0.71)	18 (0.71)	4 (0.16)	100-120 (3.94-4.72)
2.5-5t (5-10K)	215.9 (8.50)	177.8 (7.00)	127 (5.00)	16 (0.63)	101.6 (4.00)	127 (5.00)	101.6 (4.00)	76 (3.00)	26 (1.02)	26 (1.02)	4 (0.16)	130-150 (5.12-5.91)

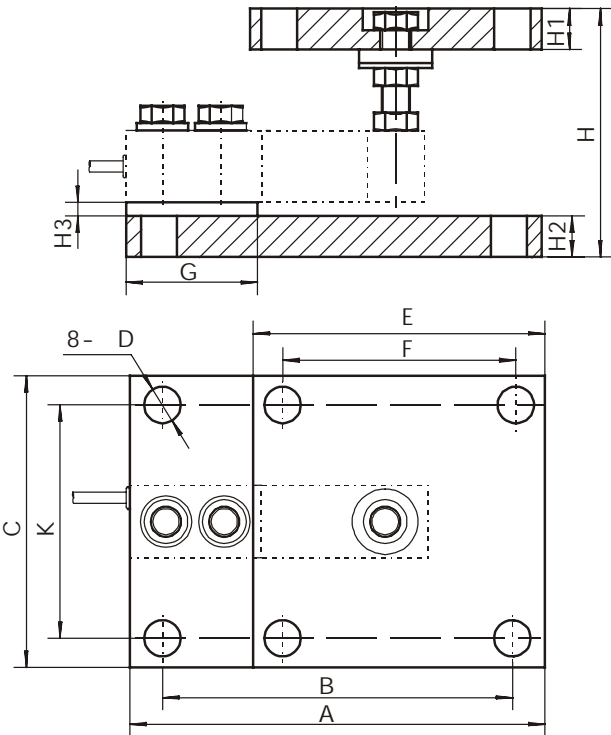
WEIGHING ASSEMBLY BM-8-404

Capacity	Part number
0.5-2t	BM-8-404-0.5/2t
2.5-5t	BM-8-404-2.5/5t
250lb-5KSE	BM-8-404-250lb/5KSE
5-10Klb	BM-8-404-5/10K



Stainless steel, assembled with B8D, BM8D, H8C or HM8C.

Outline Dimensions in mm(inches)



Dimensions	A	B	C	D	K	E	F	G	H1	H2	H3	H
Capacity												
0.5-2t (0.25-5KSE)	180.9 (7.12)	152.4 (6.00)	127 (5.00)	16 (0.63)	101.6 (4.00)	127 (5.00)	101.6 (4.00)	57 (2.24)	18 (0.71)	18 (0.71)	6.1 (0.24)	100-120 (3.94-4.72)
2.5-5t (5-10K)	215.9 (8.50)	177.8 (7.00)	127 (5.00)	16 (0.63)	101.6 (4.00)	127 (5.00)	101.6 (4.00)	76 (3.00)	26 (1.02)	26 (1.02)	6.1 (0.24)	130-150 (5.12-5.91)

WEIGHING ASSEMBLY BM-8-406



Stainless steel, assembled with BM8H or H8H.

Capacity	Part number
0.25-2t	BM-8-406-0.25/2t
5t	BM-8-406-5t
500lb-5Klb	BM-8-406-0.5/5K
10Klb	BM-8-406-10K

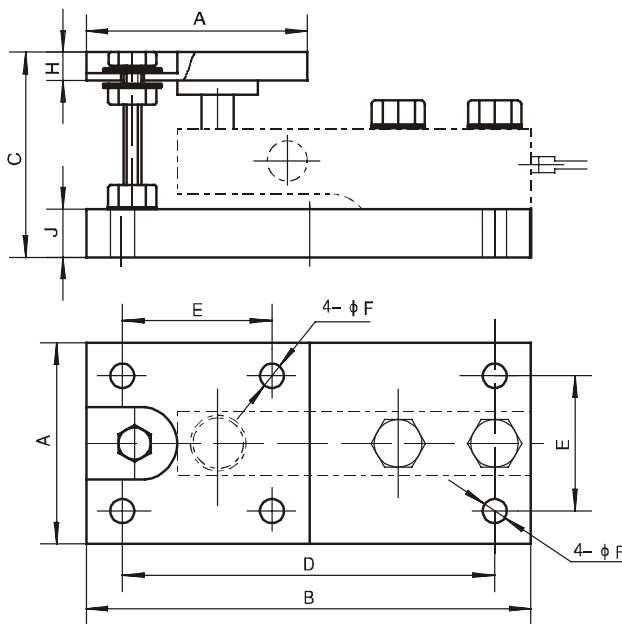
Features

- Compact structure, easy installation
- Anti-turnover
- Anti-overload
- Correct dislocation automatically

Specifications

Capacity	t	0.25-2	5
	Klb	0.5-5	10
Ultimate overload	%FS	150	150
Maximum horizontal displacement	mm	±4	±4
Maximum force against retroflexion	KN	10	50
Material	Stainless steel		

Outline Dimensions in mm (inches)



Capacity	0.25-2t	5t
	0.5-5Klb	10Klb
A	114.3 (4.50)	152.4 (6.0)
B	240 (9.45)	300 (11.81)
C	104.8 (4.13)	136.5 (5.37)
D	214.6 (8.45)	249.2 (9.91)
E	88.9 (3.50)	101.6 (4.00)
F	11 (0.43)	17.5 (0.69)
H	19 (0.75)	25.4 (1.00)
J	25.4 (1.00)	32 (1.26)

WEIGHING ASSEMBLY HM-9-401

Capacity	Part number
5-20K	HM-9-401-5/20K
30-75K	HM-9-401-30/75K
100K	HM-9-401-100K
150K	HM-9-401-150K
200-250K	HM-9-401-200/250K

Features

Alloy steel integrative assembly can be installed easily, suitable for testing slight dynamic load under heavy static load, excellent anti-side load ability.

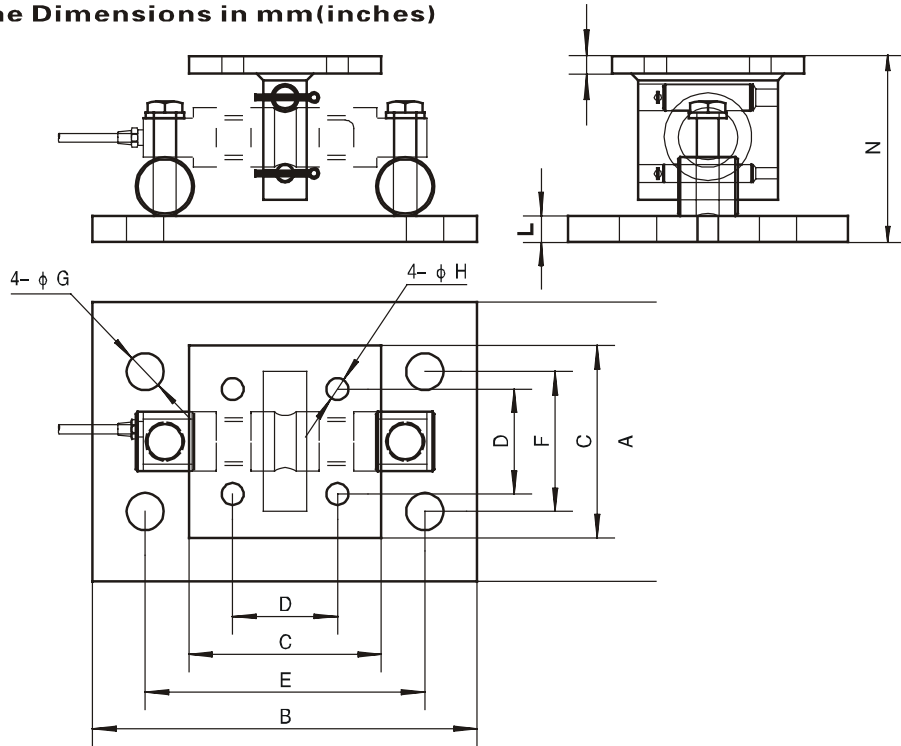
Suitable for hopper and tank scales fund in petroleum, chemical engineering and electronic power industries.

Alloy steel material can withstand environment and gas with slight corrosive.



Assembled with H9C or B9C.

Outline Dimensions in mm(inches)



Dimensions \ Capacity	A	B	C	D	E	F	G	H	L	M	N
5-20K	279.4 (11.00)	203.2 (8.00)	139.7 (5.50)	76.2 (3.00)	203.2 (8.00)	101.6 (4.00)	26.9 (1.06)	16 (0.63)	19 (0.75)	12.7 (0.50)	139.2 (5.48)
30-75K	381 (15.00)	254 (10.00)	203.2 (8.00)	130.3 (5.13)	292.1 (11.50)	152.4 (6.00)	31 (1.22)	19.1 (0.75)	25 (1.0)	19.1 (0.75)	214.1 (8.43)
100-150K	457.2 (18.00)	304.8 (12.00)	254 (10.00)	190.5 (7.50)	355.6 (14.00)	228.6 (9.00)	35.1 (1.38)	20.6 (0.81)	31.8 (1.25)	31.8 (1.25)	246 (10.39)
200-250K	660.4 (26.00)	304.8 (12.00)	304.8 (12.00)	228.6 (9.00)	508 (20.00)	152.4 (6.00)	47.8 (1.88)	26.9 (1.06)	50.8 (2.00)	50.8 (2.00)	400 (15.73)

WEIGHING ASSEMBLY BM-9-402



Stainless steel, assembled with B9C or H9C.

Capacity	Part number
5-20K	BM-9-402-5/20K
30-75K	BM-9-402-30/75K
100K	BM-9-402-100K
150K	BM-9-402-150K
200-250K	BM-9-402-200/250K

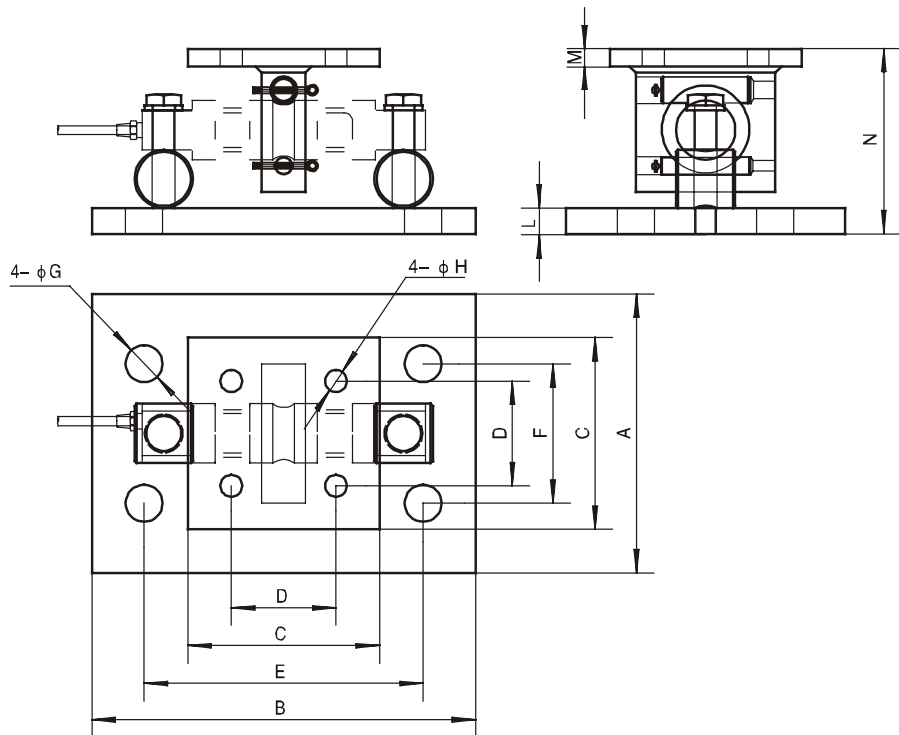
Features

Stainless steel integrative assembly can be installed easily, suitable for testing load, excellent anti-side load ability.

Suitable for hopper and tank scales found in petroleum, chemical engineering industries.

Stainless steel can withstand corrosive environment.

Outline Dimensions in mm(inches)



Dimensions Capacity	A	B	C	D	E	F	G	H	L	M	N
5-20K	279.4 (11.00)	203.2 (8.00)	139.7 (5.50)	76.2 (3.00)	203.2 (8.00)	101.6 (4.00)	26.9 (1.06)	16 (0.63)	19 (0.75)	12.7 (0.50)	139.2 (5.48)
30-75K	381 (15.00)	254 (10.00)	203.2 (8.00)	130.3 (5.13)	292.1 (11.50)	152.4 (6.00)	31 (1.22)	19.1 (0.75)	25 (1.00)	19.1 (0.75)	214.1 (8.43)
100-150K	457.2 (18.00)	304.8 (12.00)	254 (10.00)	190.5 (7.50)	355.6 (14.00)	228.6 (9.00)	35.1 (1.38)	20.6 (0.81)	31.8 (1.25)	31.8 (1.25)	264 (10.39)
200-250K	660.4 (26.00)	304.8 (12.00)	304.8 (12.00)	228.6 (9.00)	508 (20.00)	152.4 (6.00)	47.8 (1.88)	26.9 (1.06)	50.8 (2.00)	50.8 (2.00)	400 (15.73)

WEIGHING ASSEMBLY HM-9-403

Capacity	Part number
1-5K	HM-9-403-1/5K
10-35K	HM-9-403-10/35K
50-75K	HM-9-403-50/75K

Features

Alloy steel integrative assembly can be installed easily, suitable for testing slight dynamic load under heavy static load, excellent anti-side load ability.

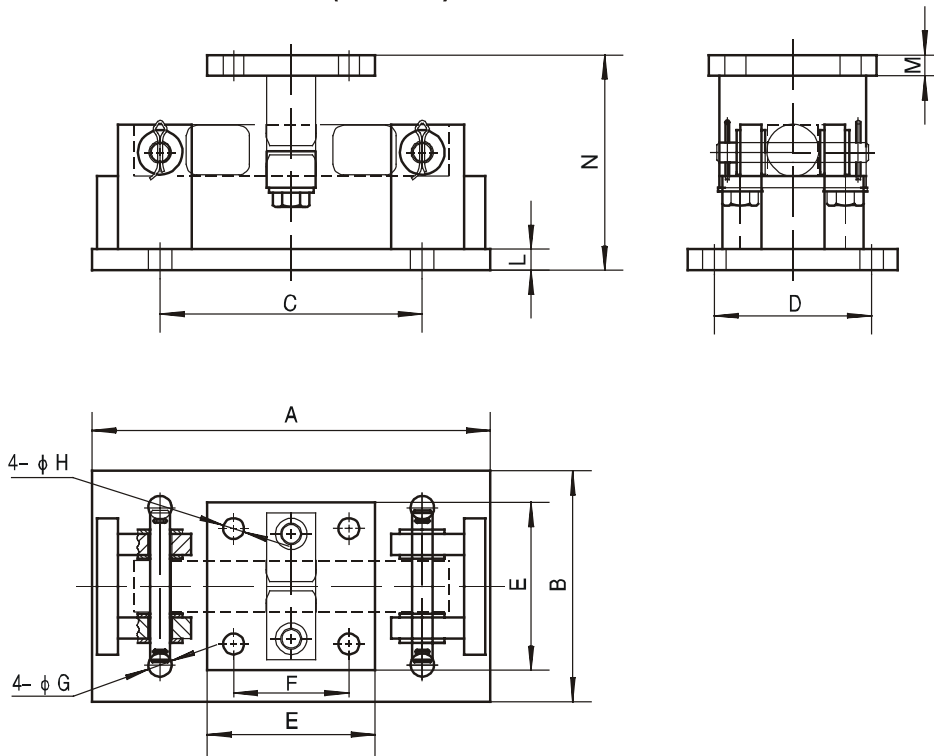
Suitable for hopper and tank scales found in petroleum, chemical engineering and electronic power industries.

Alloy steel material can withstand environment and gas with slight corrosion.



Alloy steel, assembled with H9D or B9D.

Outline Dimensions in mm(inches)



Dimensions	A	B	C	D	E	F	G	H	L	M	N
Capacity											
1-5K	235 (9.25)	127 (5.00)	158.8 (6.25)	95.3 (3.75)	101.6 (4.00)	69.9 (2.75)	14.2 (0.56)	14.2 (0.56)	12.7 (0.50)	12.7 (0.50)	130.3 (5.13)
10-35K	304.8 (12.00)	203.2 (8.00)	190.5 (7.50)	152.4 (6.00)	203.2 (6.00)	152.4 (6.00)	20.6 (0.81)	20.6 (0.81)	19.1 (0.75)	19.1 (0.75)	200.67 (2.90)
50-75K	412.8 (16.25)	304.8 (12.00)	292.1 (11.50)	241.3 (9.50)	228.6 (9.00)	165.1 (6.50)	20.6 (0.81)	20.6 (0.81)	25.4 (1.00)	25.4 (1.00)	236.2 (9.30)

WEIGHING ASSEMBLY BM-9-404



Stainless steel, assembled with B9D or H9D.

Capacity	Part number
1-5K	BM-9-404-1/5K
10-35K	BM-9-404-10/35K
50-75K	BM-9-404-50/75K

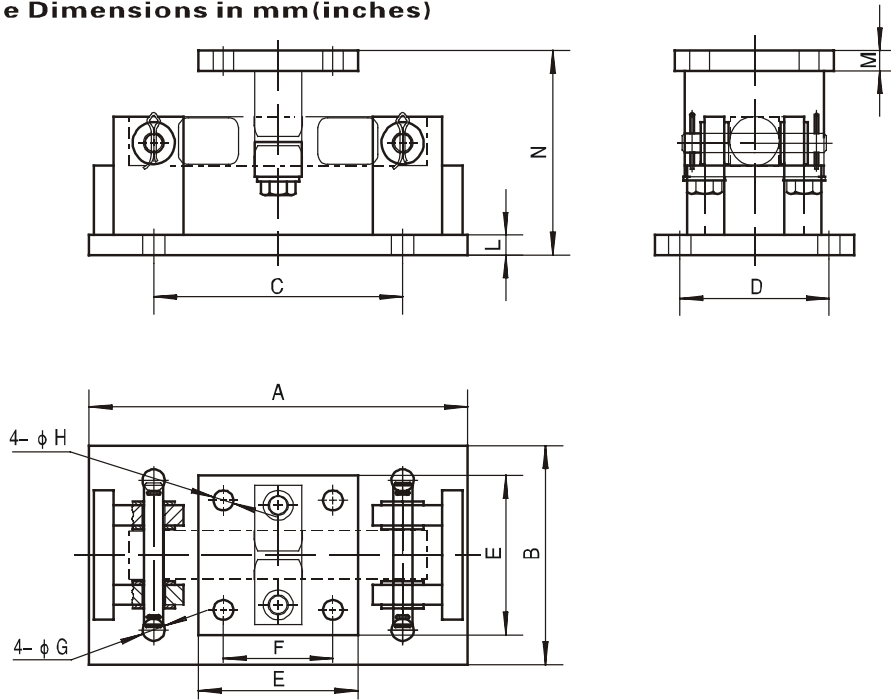
Features

Stainless steel integrative assembly can be mounted easily, suitable for testing slight dynamic load under heavy static load, excellent anti-side load ability.

Suitable for hopper and tank scales found in petroleum, chemical engineering industries.

Stainless steel can withstand corrosive environment.

Outline Dimensions in mm(inches)



Dimensions Capacity	A	B	C	D	E	F	G	H	L	M	N
1-5K	24.1 (9.50)	139.7 (5.50)	158.8 (6.25)	95.3 (3.75)	101.6 (4.00)	69.9 (2.75)	14.2 (0.56)	14.2 (0.56)	12.7 (0.50)	12.7 (0.50)	130.3 (5.13)
10-35K	292.1 (17.50)	203.2 (8.00)	190.5 (7.50)	152.4 (6.00)	203.2 (8.00)	152.4 (6.00)	20.6 (0.81)	20.6 (0.81)	19.1 (0.75)	19.1 (0.75)	200.7 (7.90)
50-75K	406.4 (16.00)	298.5 (11.75)	292.1 (11.5)	241.3 (9.50)	203.2 (8.00)	165.1 (6.50)	20.6 (0.81)	20.6 (0.81)	25.4 (1.00)	25.4 (1.00)	236.2 (9.30)

WEIGHING ASSEMBLY HM-14-401

Capacity Part number
 10t-50t HM-14-401-10/50t



Alloy steel, assembled with HM14C or BM14C

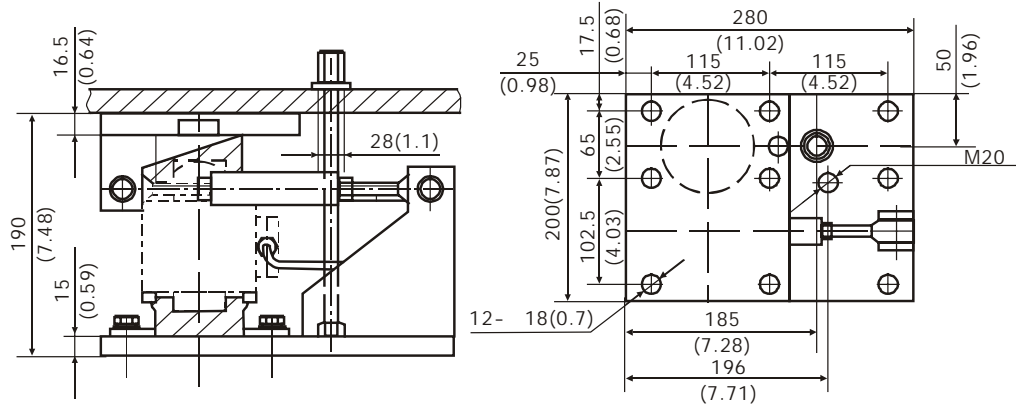
Features

- Restrict horizontal movement
- Anti-turnover
- Correct dislocation automatically
- Compact structure, easy installation

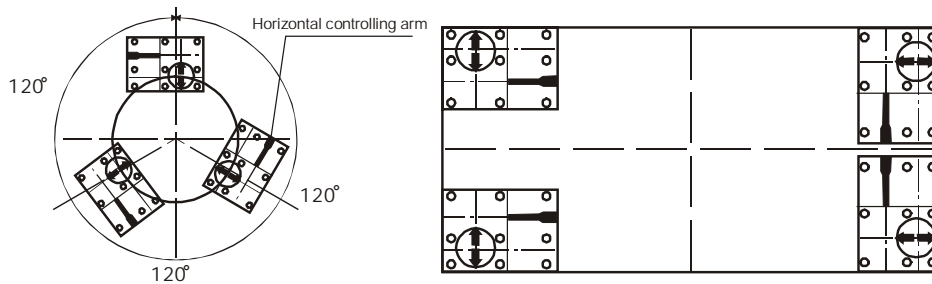
Specifications

Ultimate overload	150%FS
Maximum force against retroflexion	50KN
Maximum force against slide	50KN
Maximum horizontal displacement	54mm

Outline Dimensions in mm(inches)



Installation



WEIGHING ASSEMBLY HM-14-403

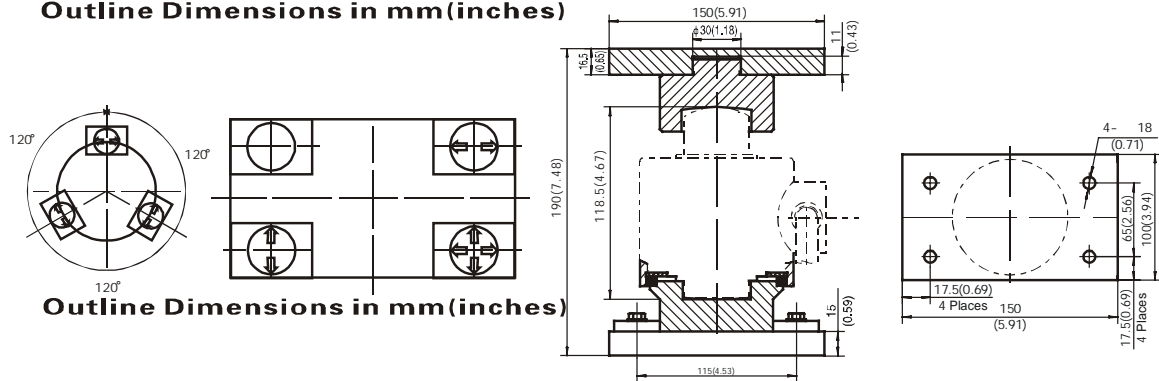


Alloy steel, assembled with HM14C or BM14C.

Capacity Part number
 10t-50t HM-14-403-10/50t

- Features
- Restrict horizontal movement
 - Anti - turnover
 - Correct dislocation automatically
 - Compact structure, easy installation

Outline Dimensions in mm(inches)



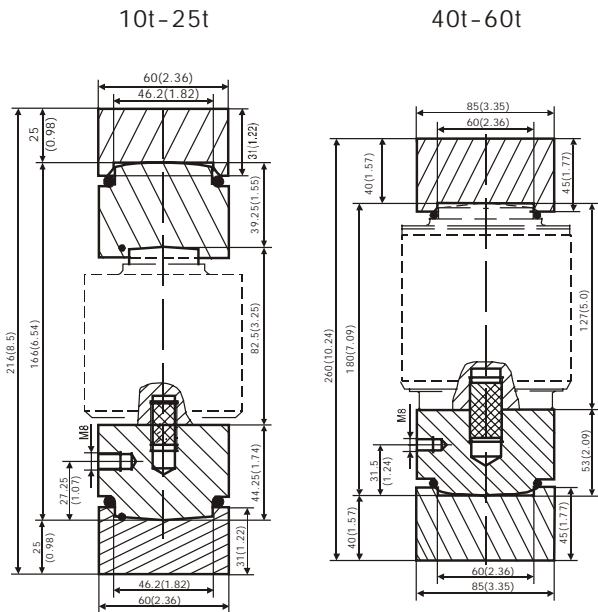
WEIGHING ASSEMBLY BY-14-101



Assembled with BM14A, stainless steel, Anti-rotate with M8 screw hole.

Capacity Part number
 10t , 25t BY-14-101-10/25t
 40t , 60t BY-14-101-40/60t

Outline Dimensions in mm(inches)



WEIGHING ASSEMBLY BY-14-102

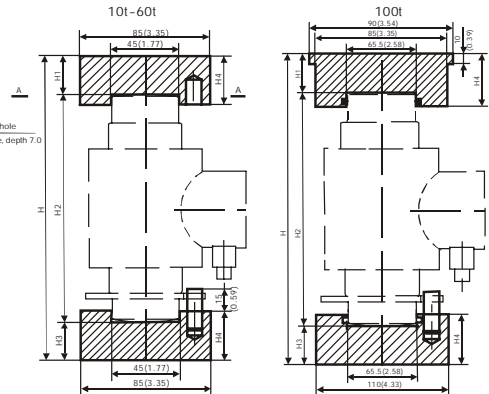
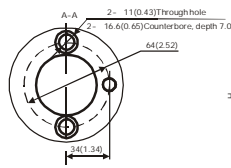
Capacity	Part number
10t , 15t	BY-14-102-10/15t
20t-40t	BY-14-102-20/40t
50t , 60t	BY-14-102-50/60t
100t	BY-14-102-100t



Stainless steel, assembled with BM14K,
Anti-rotate with locating pin.

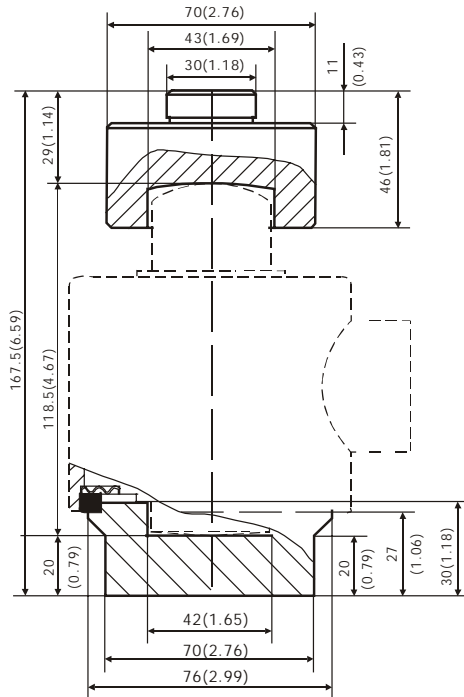
Outline Dimensions in mm(inches)

Dimensions Capacity	H1	H2	H3	H4	H
10t,15t	15 (0.59)	130 (5.12)	15 (0.59)	22 (0.87)	160 (6.3)
20t,40t	25 (0.98)	150 (5.91)	25 (0.98)	32 (1.26)	200 (7.87)
50t,60t	25 (0.98)	210 (8.27)	25 (0.98)	32 (1.26)	260 (10.24)
100t	40 (1.57)	260 (10.24)	40 (1.57)	40 (1.57)	340 (13.39)



WEIGHING ASSEMBLY BY-14-103

Outline Dimensions in mm(inches)



Stainless steel, assembled with BM14C or
HM14C, anti-rotate with hermetic O ring
on the bottom base.

Capacity	Part number
10t-50t	BY-14-103-10/50t

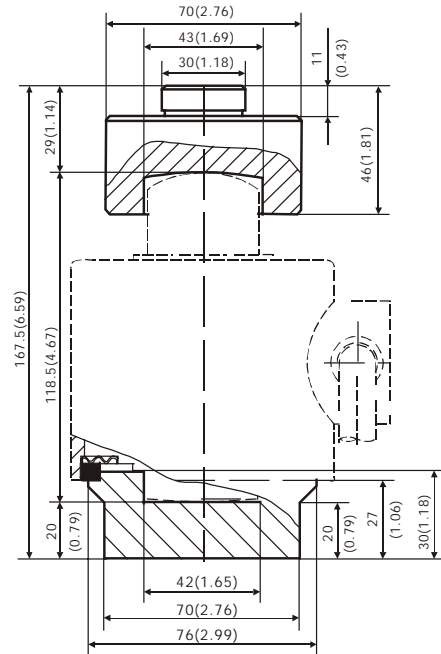
WEIGHING ASSEMBLY HY-14-104



Alloy steel, assembled with BM14C or HM14C, anti-rotate with hermetic O ring on the bottom base.

Capacity	Part number
10t-50t	HY-14-104-10/50t

Outline Dimensions in mm(inches)



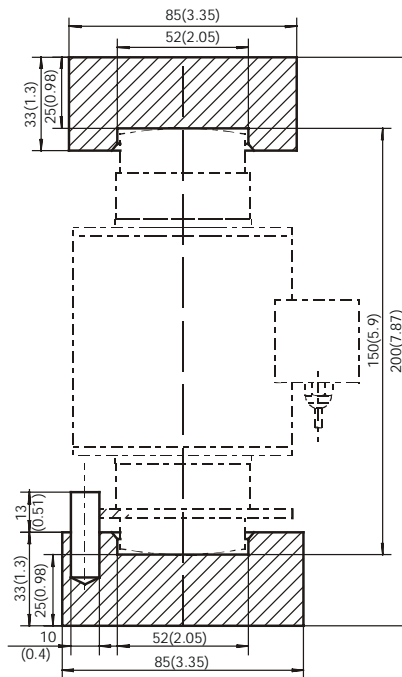
WEIGHING ASSEMBLY BY-14-105



Stainless steel, assembled with BM14G, Anti-rotate with locating pin.

Capacity	Part number
10t-50t	BY-14-105-10/50t

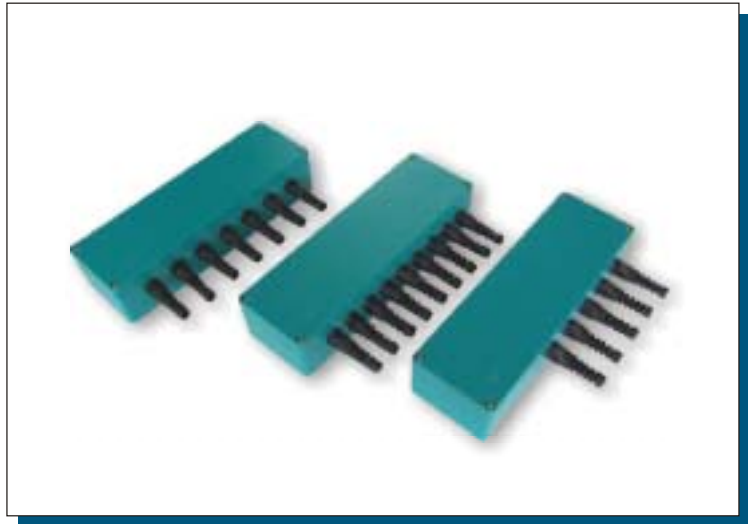
Outline Dimensions in mm(inches)



JUNCTION BOX JB 01

Features

- Cast aluminum, plastic-sprayed.
- Easy to assemble and calibrate, high reliability.
- Fully encapsulated, water proof and moisture proof.
- Operating temperature: -40 ~ +85
- IP65

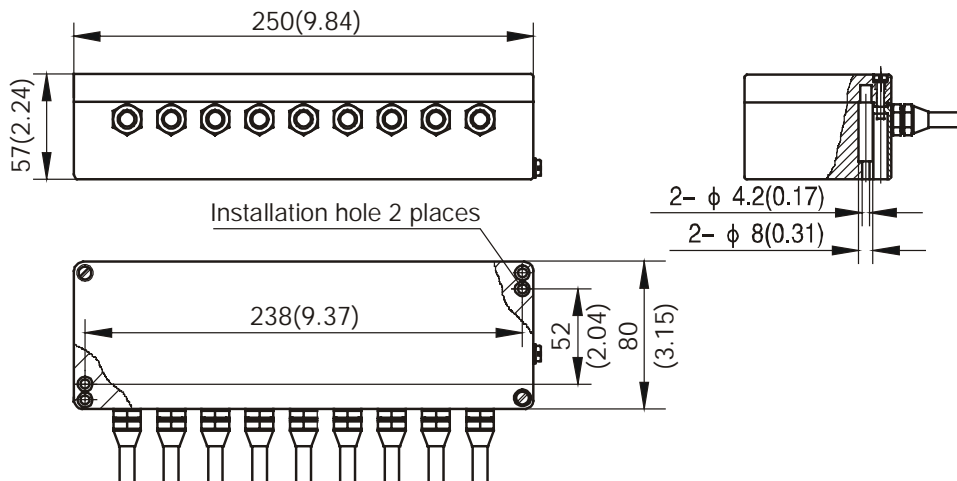


Description

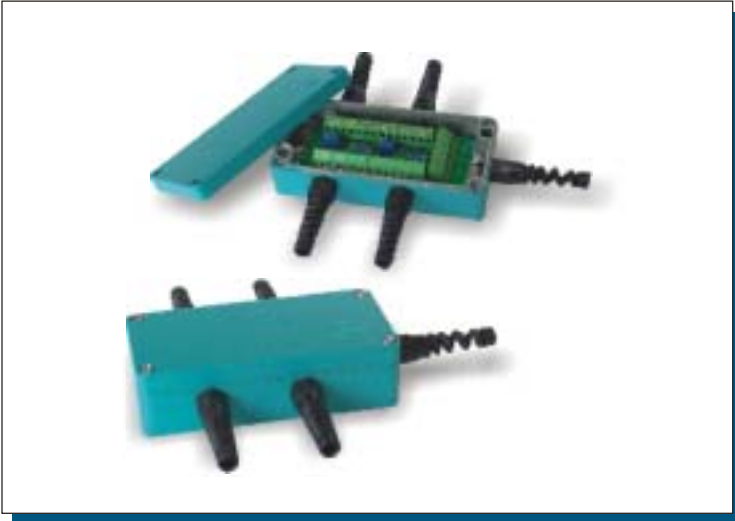
- Special for scales
- 2 to 8 channel, load cells with 4 wire or 6 wire cable

Part Number	Channel
JB01-2	2
JB01-3	3
JB01-4	4
JB01-6	6
JB01-8	8

Outline Dimensions in mm(inches)



JUNCTION BOX JB 02



Features

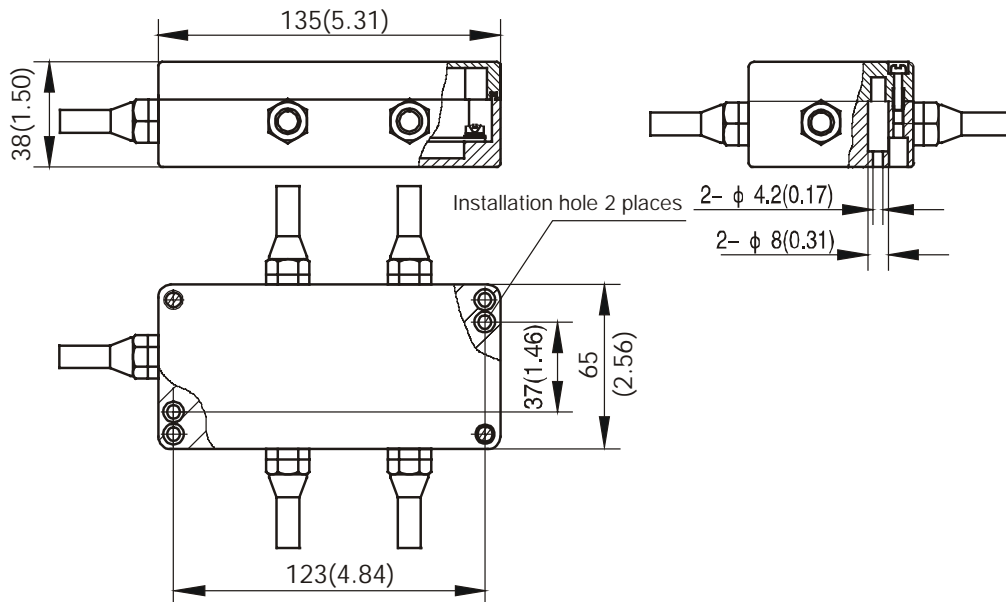
- Cast aluminum, plastic-sprayed.
- Easy to assemble and calibrate, high reliability.
- Fully encapsulated, water proof and moisture proof.
- Operating temperature: -40 ~+85
- IP65

Description

Special for scales
2 to 8 channel, load cells with 4 wire cable

Part Number	Channel
JB02-2	2
JB02-3	3
JB02-4	4

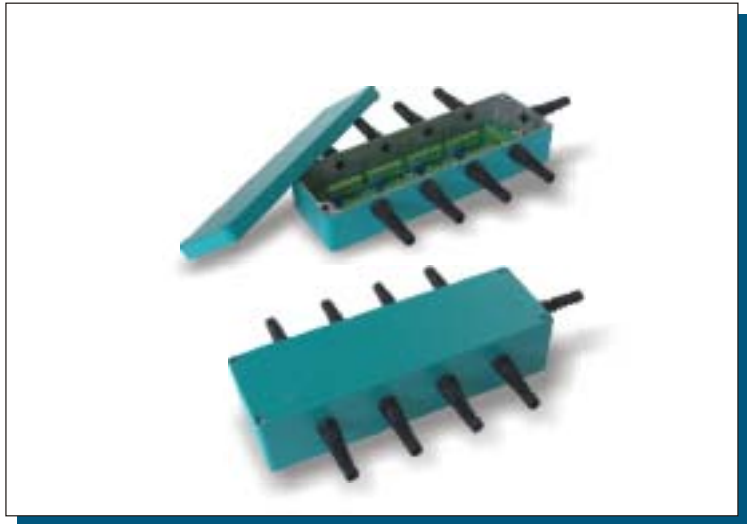
Outline Dimensions in mm(inches)



JUNCTION BOX JB 06

Features

- Cast aluminum, plastic-sprayed.
- Easy to assemble and calibrate, high reliability.
- Fully encapsulated, water proof, moisture proof and lightning protection.
- Surge protection.
- Operating temperature: -40 ~ +85
- IP65

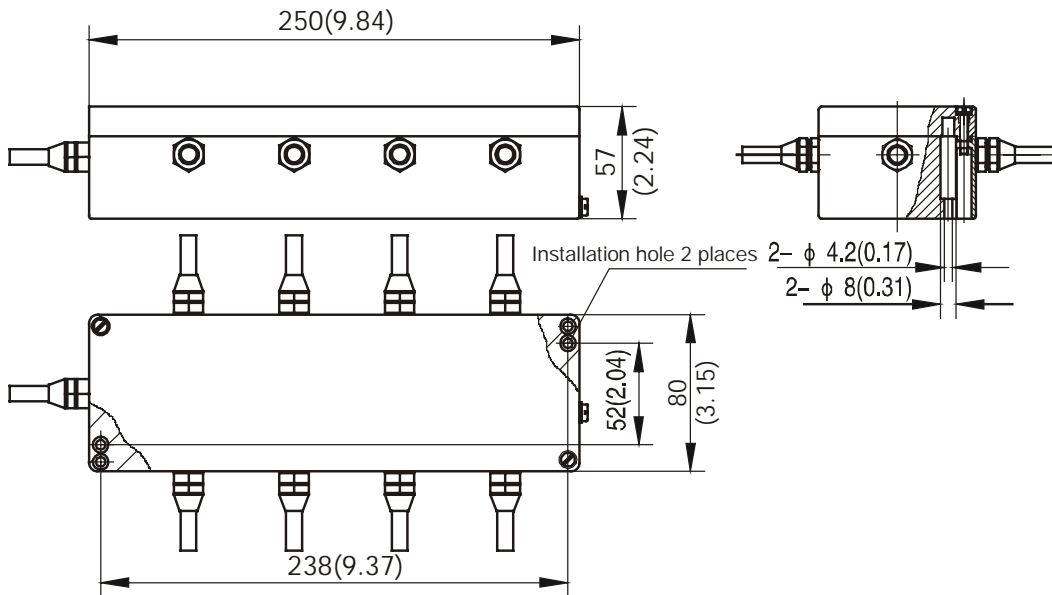


Description

Special for scales
2 to 8 channel, load cells with 4 wire or 6 wire cable

Part Number	Channel
JB06-2	2
JB06-3	3
JB06-4	4
JB06-6	6
JB06-8	8

Outline Dimensions in mm(inches)



JUNCTION BOX JB 07



Features

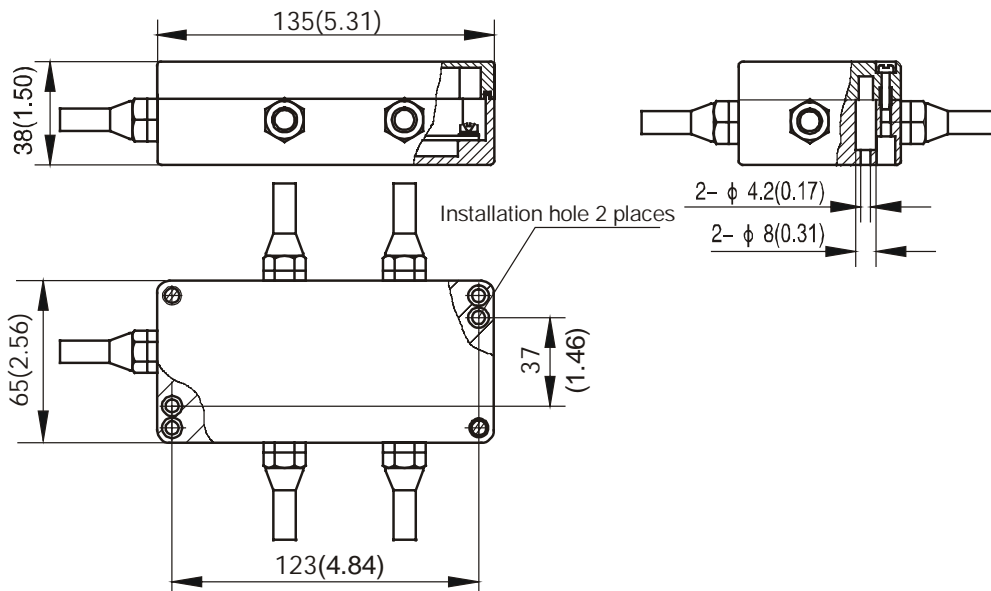
- Cast aluminum, plastic-sprayed.
- Easy to assemble and calibrate, high reliability.
- Fully encapsulated, water proof, moisture proof and lightning protection.
- Surge protection.
- Operating temperature: -40 ~ +85
- IP65

Description

Special for scales
2 to 4 channel, load cells with 4 wire cable

Part Number	Channel
JB07-2	2
JB07-3	3
JB07-4	4

Outline Dimensions in mm(inches)



TRANSMITTER FD-3

Features

- Adjustable excitation voltage.
- Wrong connection protection.
- Zero adjustable resistors can be outer-connected.
- Terminal blocks connection.
- Protection Class : IP65



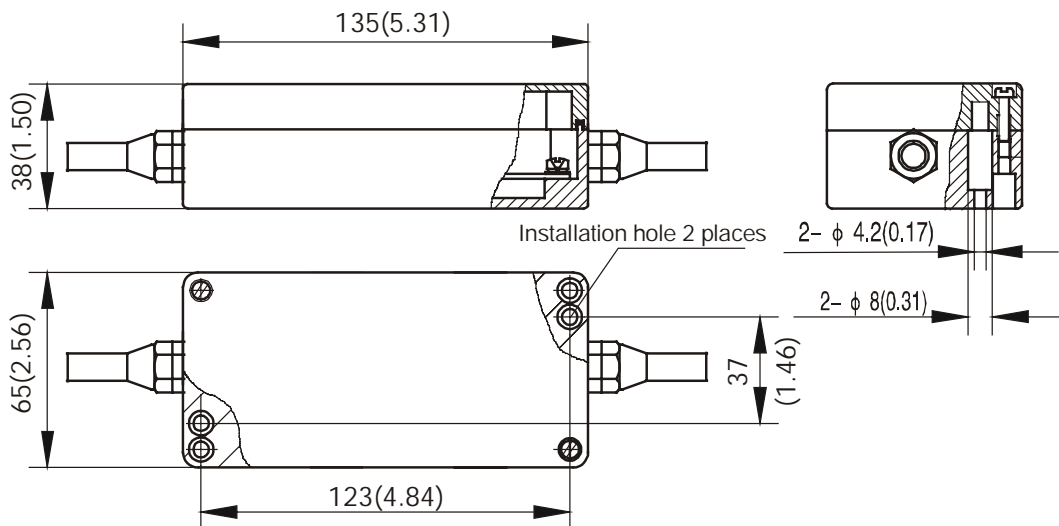
Specifications for current output

- Supply voltage : DC 12V, 15V, 24V
- Output : 4~20mA(or 0~10mA, 0~20mA)
- Load resistance : 500 (24V Working)
- Accuracy : better than 0.1%FS(current)
- Operating temperature : -20 ~+85

Specifications for voltage output

- Supply voltage : DC 12V, 15V, 24V
- Output : 0~5VDC(or 1~5VDC, 0~10VDC, 0~±5VDC)
- Load resistance : 500
- Accuracy : better than 0.02%FS
- Operating temperature : -20 ~+85

Outline Dimensions in mm(inches)



TRANSMITTER *FD-4*



Features

- 2 to 4 load cells interconnects.
- Easy to assemble and calibrate, high reliability.
- Wrong connection protection
- Water proof.
- Voltage output or Current output.

Specifications:

Supply voltage : DC 12V, 15V, 24V

Output : 0~10mA 4~20mA

0~5VDC 1~5VDC

Accuracy : better than 0.1%FS(current)

better than 0.05%FS(voltage)

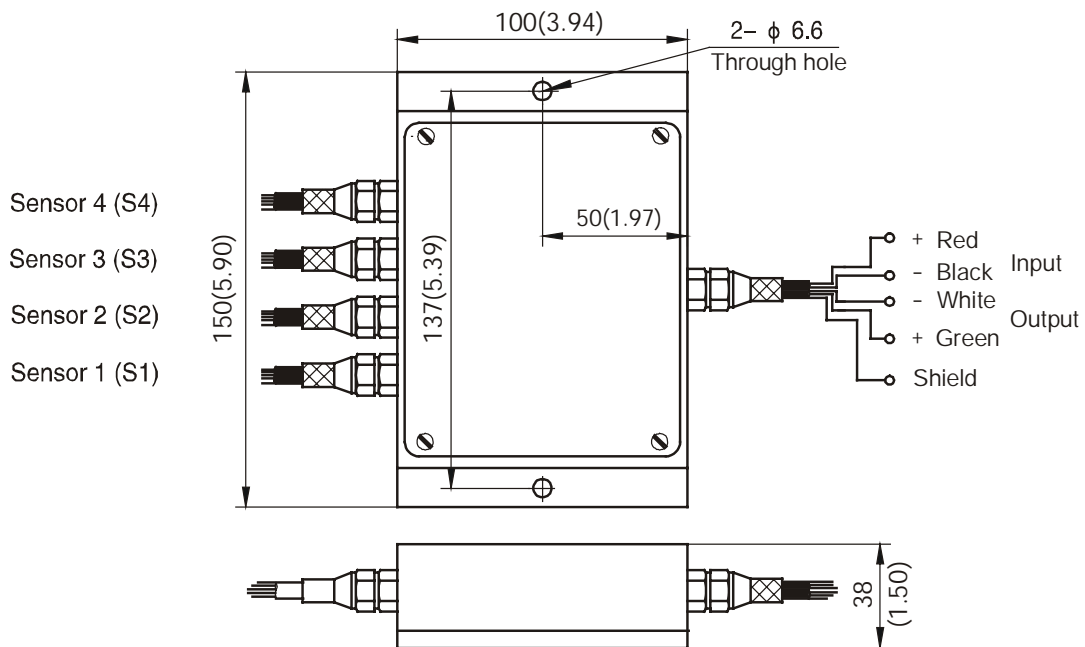
Load resistance : 350 (Current output)

250 (Voltage output)

Operating temperature : -20 ~+85

Protection Class : IP65

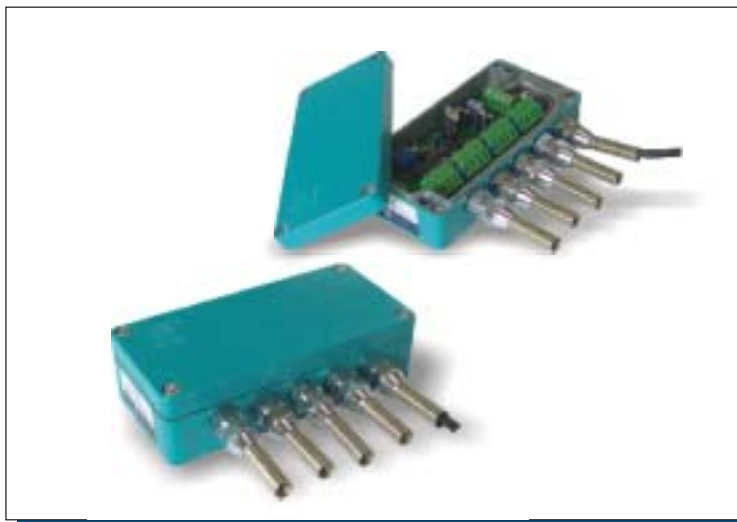
Outline Dimensions in mm(inches)



TRANSMITTER FD-5

Features

- 2 to 4 load cells interconnects.
- Surge protection.
- Wrong connection protection.
- Voltage or current output.
- Terminal blocks connection.
- Cover with installation holes, easy to fix on the platform.



Specifications:

Supply voltage : DC 12V, 15V, 24V

Output : 4~20mA 0~10mA

0~5VDC 1~5VDC

Accuracy : better than 0.1%FS(current)

better than 0.05%FS(voltage)

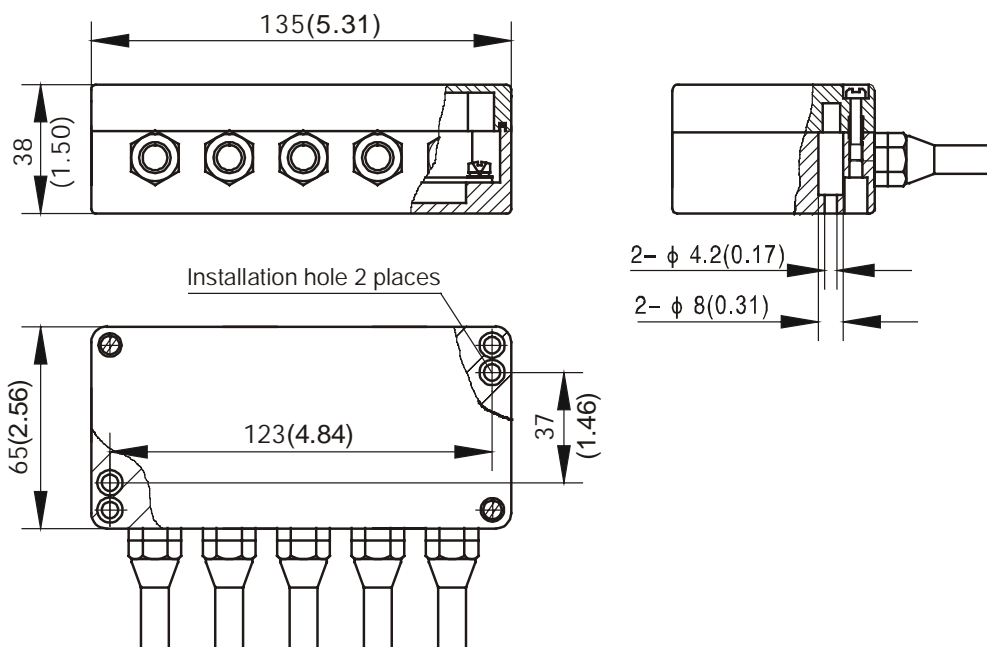
Load resistance : 500 (current output)

500 (voltage output)

Operating temperature : -20 ~+85

Protection Class : IP65

Outline Dimensions in mm(inches)



TRANSMITTER *FD-6*



Features

- 2 to 4 load cells interconnects
- Wrong connection protection
- Easy to assemble and calibrate, high reliability
- Water proof
- Current output
- Cover with installation holes, easy to fix on the platform.

Specifications:

Supply voltage : DC 15V

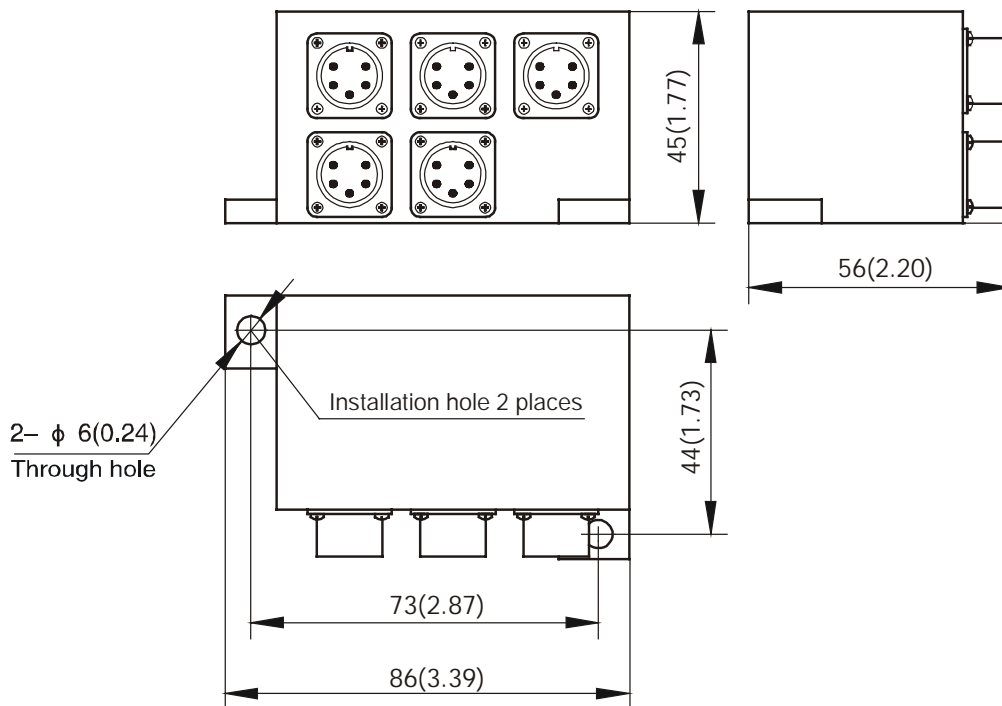
Output : 4-20mA

Accuracy : better than 0.1%FS

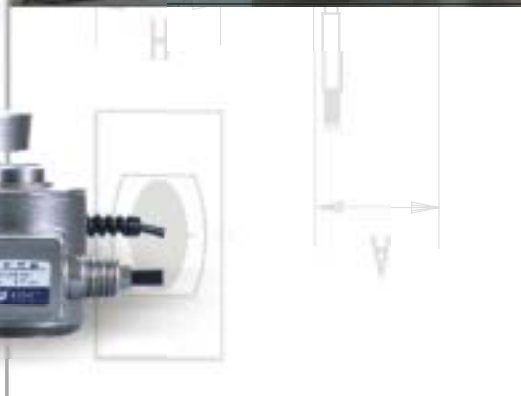
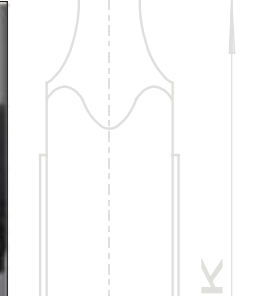
Operating temperature : -20~+85

Protection Class : IP 65

Outline Dimensions in mm(inches)



Test Equipment



ZHONGHANG ELECTRONIC MEASURING INSTRUMENTS CO., LTD

ADD: P.O. Box 2, Hanzhong 723007, Shaanxi, China
T e l : 86-916-2577212
F a x : 86-916-2577213
E-mail: admin@zemic.com.cn

ZEMIC(USA)Inc.

Add:12000 Slauson Ave. # 15, Santa Fe Springs, CA 90670, USA.
TeL:1-562-464-9416
Fax:1-562-464-9415
E-mail:SEDJC@AOL.COM

